

# LM2715 TFT Panel Module

## General Description

The LM2715 is a compact bias solution for TFT displays. It has a current mode PWM step-up DC/DC converter with a 1.3A, 0.18Ω internal switch. Capable of generating 8V at 240mA from a Lithium Ion battery, the LM2715 is ideal for generating bias voltages for large screen LCD panels. The LM2715 operates at a switching frequency of 1.25MHz allowing for easy filtering and low noise. An external compensation pin gives the user flexibility in setting frequency compensation, which makes possible the use of small, low ESR ceramic capacitors at the output. The LM2715 uses a patented internal circuitry to limit startup inrush current of the boost switching regulator without the use of an external softstart capacitor. The LM2715 has an internal controllable PMOS switch used for controlling the row driver voltages. The switch can be controlled externally with a control pin and delay time. The LM2715 contains a Vcom amplifier and a Gamma buffer capable of supplying 50mA source and sink. The TSSOP-16 or LLP-24 packages ensure a low profile overall solution.

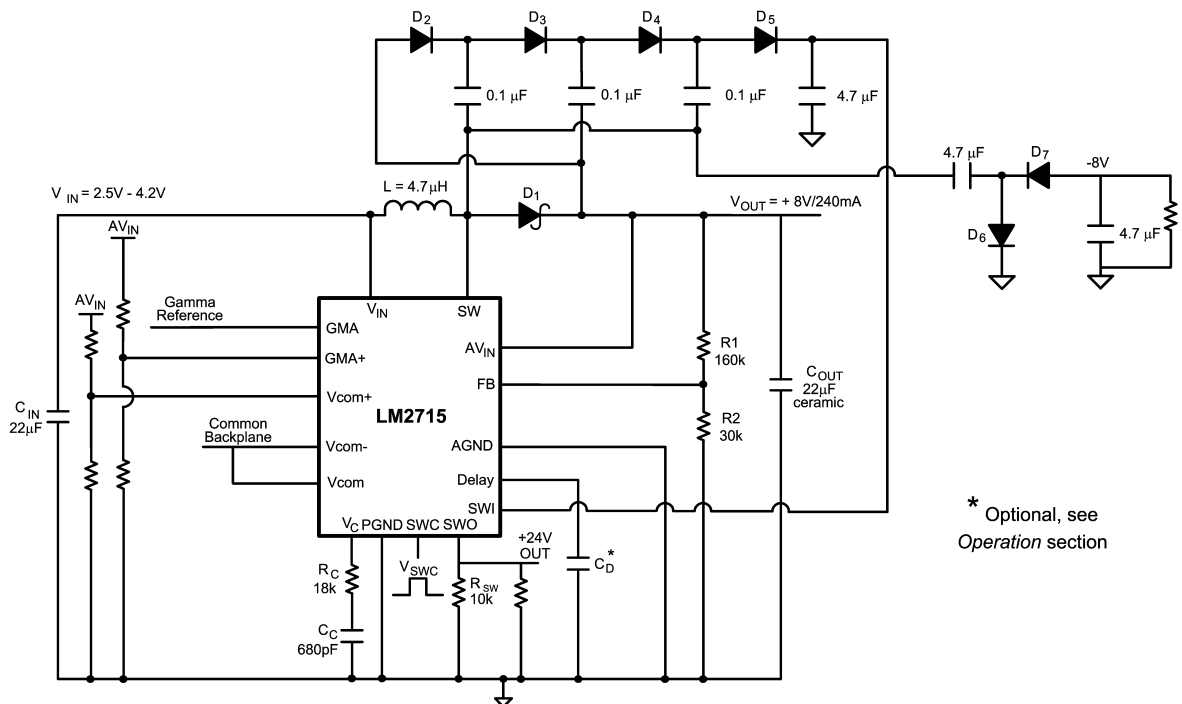
## Features

- 1.3A, 0.18Ω, internal power switch
- $V_{IN}$  operating range: 2.2V to 12V
- 1.25MHz switching frequency step-up DC/DC converter
- Inrush current limiting circuitry
- Internal 7Ω PMOS switch
- PMOS switch control pin
- PMOS switch delay pin
- Vcom amplifier
- Gamma buffer
- 16 pin TSSOP or 24 pin LLP packages

## Applications

- LCD Bias Supplies

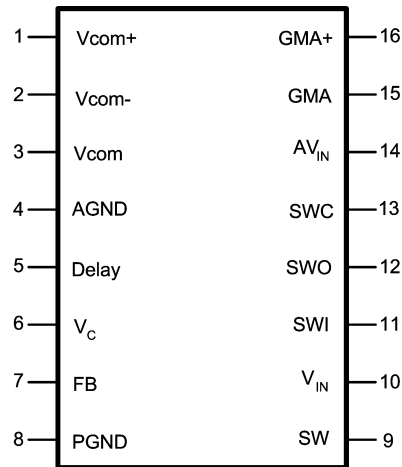
## Typical Application Circuit



20058431

## Connection Diagrams

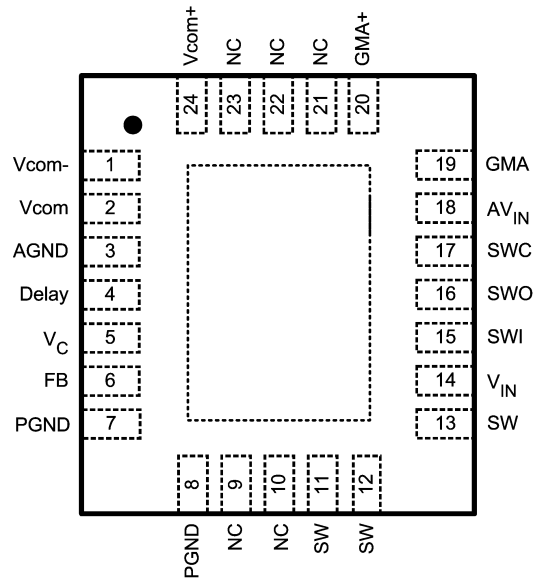
Top View



20058404

**TSSOP 16 package**  
 $T_{JMAX} = 125^{\circ}\text{C}$ ,  $\theta_{JA} = 120^{\circ}\text{C/W}$  (Note 1)

Top View



20058494

**LLP 24 package**  
 $T_{JMAX} = 125^{\circ}\text{C}$ ,  $\theta_{JA} = 33.2^{\circ}\text{C/W}$  (Note 1)

## Pin Description (TSSOP)

Pin	Name	Function
1	Vcom+	Vcom Amplifier positive input.
2	Vcom-	Vcom Amplifier negative input.
3	Vcom	Vcom Amplifier output.
4	AGND	Analog Ground. Connect to AGND plane.
5	Delay	PMOS switch delay.
6	V <sub>C</sub>	Boost Compensation Network Connection.
7	FB	Output Voltage Feedback input.
8	PGND	Power Ground. Connect to PGND plane.

## Pin Description (TSSOP) (Continued)

Pin	Name	Function
9	SW	NMOS power switch input.
10	V <sub>IN</sub>	Main power input, step-up and switch circuitry.
11	SWI	PMOS switch input.
12	SWO	PMOS switch output.
13	SWC	PMOS switch control pin.
14	AV <sub>IN</sub>	Analog power input (buffers).
15	GMA	Gamma buffer output.
16	GMA+	Gamma buffer input.

## Pin Description (LLP)

Pin	Name	Function
1	Vcom-	Vcom Amplifier negative input.
2	Vcom	Vcom Amplifier output.
3	AGND	Analog Ground. Connect to AGND plane.
4	Delay	PMOS switch delay.
5	V <sub>C</sub>	Boost Compensation Network Connection.
6	FB	Output Voltage Feedback input.
7	PGND	Power Ground. Connect to PGND plane.
8	PGND	Power Ground. Connect to PGND plane.
9	NC	Not internally connected. Leave floating or connect to Ground.
10	NC	Not internally connected. Leave floating or connect to Ground.
11	SW	NMOS power switch input.
12	SW	NMOS power switch input.
13	SW	NMOS power switch input.
14	V <sub>IN</sub>	Main power input, step-up and switch circuitry.
15	SWI	PMOS switch input.
16	SWO	PMOS switch output.
17	SWC	PMOS switch control pin.
18	AV <sub>IN</sub>	Analog power input (buffers).
19	GMA	Gamma buffer output.
20	GMA+	Gamma buffer input.
21	NC	Not internally connected. Leave floating or connect to Ground.
22	NC	Not internally connected. Leave floating or connect to Ground.
23	NC	Not internally connected. Leave floating or connect to Ground.
24	Vcom+	Vcom Amplifier positive input.
DAP	DAP	Center Die Attach Pad. Connect directly to AGND and PGND pins beneath the device.

## Pin Functions

**Vcom+:** Positive input terminal of Vcom amplifier.

**Vcom-:** Negative input terminal of Vcom amplifier.

**Vcom:** Output terminal of Vcom amplifier.

**AGND:** Analog ground connection for LM2715. Connect all sensitive circuitry, ie. feedback resistors, delay capacitor, and compensation network to its own dedicated AGND plane which connects directly to this pin.

**Delay:** PMOS switch delay control pin. See *Operation* section for setting the delay time.

The delay time begins when the output voltage of the DC/DC switching regulator reaches 85% of its true output voltage. This corresponds to a FB voltage of about 1.1V. The PMOS

switch is controlled with both the delay time and the switch control pin, SWC. If no Cdelay capacitor is used, the PMOS switch is controlled solely with the SWC pin.

**V<sub>C</sub>:** Compensation Network for Boost switching regulator. Connect resistor/capacitor network between V<sub>C</sub> pin and AGND for boost switching regulator AC compensation.

**FB:** Feedback pin. Set the output voltage by selecting values of R1 and R2 using:

$$R1 = R2 \left( \frac{V_{OUT}}{1.265V} - 1 \right)$$

Connect the ground of the feedback network to the AGND plane, which should be tied directly to the PGND pin.

## Pin Functions (Continued)

**PGND:** Connect all power ground components to a PGND plane which should also connect directly to this pin. Use a trace or via to connect the AGND plane to the PGND plane. Please see Layout Considerations under the Operation section for more details on layout suggestions.

**SW:** This is the drain of the internal NMOS power switch. Minimize the metal trace area connected to this pin to minimize EMI.

**V<sub>IN</sub>:** Input Supply Pin. Bypass this pin with a capacitor as close to the device as possible. The capacitor should connect between V<sub>IN</sub> and PGND.

**SWI:** PMOS switch input. Source connection of PMOS device.

**SWO:** PMOS switch output. Drain connection of PMOS device.

**SWC:** PMOS switch control pin. This pin creates an AND function with the delay time after the output of the switching regulator has reached 85% of its nominal value. To ensure the PMOS switch is in the correct state, apply a voltage above 1.5V to this pin to turn on the PMOS switch and apply a voltage below 0.7V to turn off the PMOS switch.

**AV<sub>IN</sub>:** Supply pin for the Vcom opamp and the Gamma buffer. Bypass this pin with a capacitor as close to the device as possible, about 100nF, if connected directly to the output of the boost DC/DC switching regulator. The capacitor should connect between AV<sub>IN</sub> and PGND.

**GMA:** Gamma Buffer output pin.

**GMA+:** Gamma Buffer input pin.

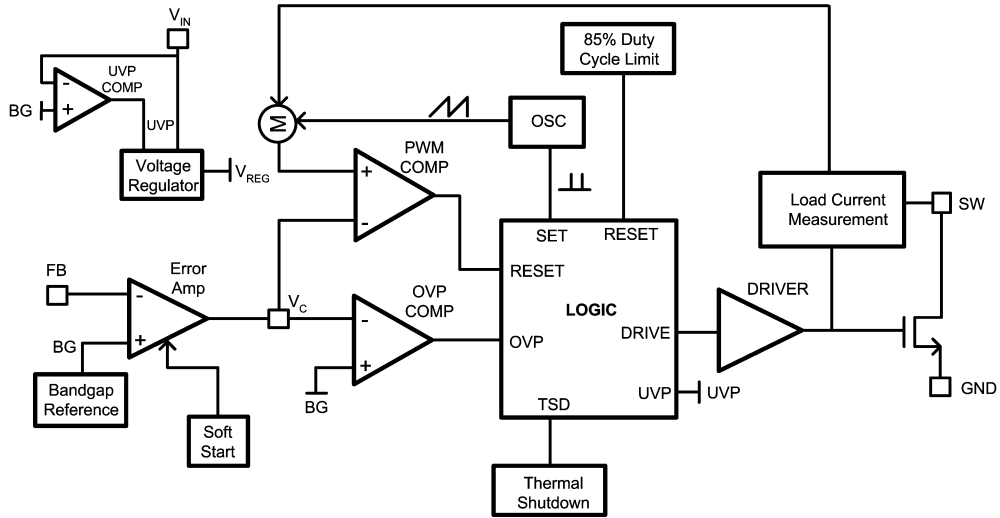
## Ordering Information (TSSOP)

Order Number	Package Type	NSC Package Drawing	Supplied As
LM2715MT-ADJ	TSSOP-16	MTC16	73 Units, Rail
LM2715MTX-ADJ	TSSOP-16	MTC16	2500 Units, Tape and Reel

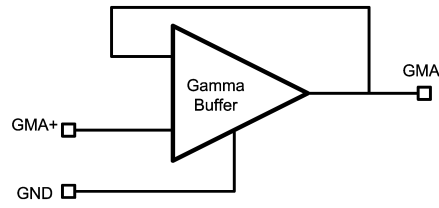
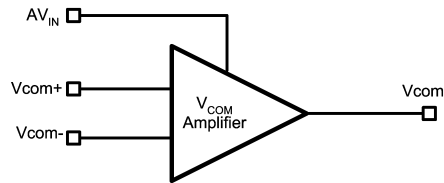
## Ordering Information (LLP)

Order Number	Spec	Package Type	NSC Package Drawing	Supplied As
LM2715SQ-ADJ		LLP-24	SQA24B	1000 Units, Tape and Reel
LM2715SQX-ADJ		LLP-24	SQA24B	4500 Units, Tape and Reel
LM2715SQ-ADJ	NOPB	LLP-24	SQA24B	1000 Units, Tape and Reel
LM2715SQX-ADJ	NOPB	LLP-24	SQA24B	4500 Units, Tape and Reel

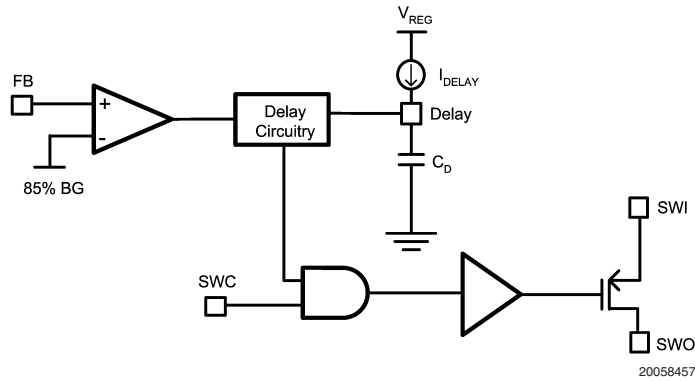
# Block Diagrams



20058403



20058451



20058457

**Absolute Maximum Ratings** (Note 2)

If Military/Aerospace specified devices are required, please contact the National Semiconductor Sales Office/Distributors for availability and specifications.

$V_{IN}$	-0.3V to 12V
SW Voltage	-0.3V to 18V
FB Voltage	-0.3V to 2V
$V_C$ Voltage	0.96V to 1.56V
SWC Voltage	-0.3V to 12V
Supply Voltage, $AV_{IN}$	-0.3V to 12V
Amplifier/Buffer Input Voltage	Rail-to-Rail
Amplifier/Buffer Output Voltage	Rail-to-Rail
Delay	GND to 1.3V

SWI	-0.3V to 30V
SWO	-0.3V to 30V
ESD Ratings (Note 3)	
Human Body Model	2kV

**Operating Conditions**

Operating Temperature	-40°C to +125°C
Storage Temperature	-65°C to +150°C
Supply Voltage, $V_{IN}$	2.2V to 12V
SW Voltage	17.5V
Supply $AV_{IN}$	4V to 12V
SWI	2.2V to 30V

**Electrical Characteristics — Switching Regulator**

Specifications in standard type face are for  $T_J = 25^\circ\text{C}$  and those with **boldface type** apply over the full **Operating Temperature Range** ( $T_J = -40^\circ\text{C}$  to  $+125^\circ\text{C}$ ). Unless otherwise specified  $V_{IN} = 2.2\text{V}$ ,  $AV_{IN} = 8\text{V}$ ,  $R_{COM} = R_{\text{GAMMA}} = 50\Omega$ ,  $C_{COM} = C_{\text{GAMMA}} = 1\text{nF}$ .

**Switching Regulator**

Symbol	Parameter	Conditions	Min (Note 4)	Typ (Note 5)	Max (Note 4)	Units
$I_Q$	Quiescent Current	Not Switching, FB = 2V		1.6	<b>2.3</b>	mA
		Switching, switch open, FB = 0.1V		3.6	<b>4.3</b>	
$V_{FB}$	Feedback Voltage		<b>1.239</b>	1.265	<b>1.291</b>	V
$\%V_{FB}/\Delta V_{IN}$	Feedback Voltage Line Regulation			0.01	<b>0.1</b>	%/V
$I_{CL}$	Switch Current Limit (Note 6)	$V_{IN} = 2.5\text{V}$ , $V_{OUT} = 8\text{V}$		1.29		A
$R_{DSON}$	Switch $R_{DSON}$ (Note 7)	$V_{IN} = 2.5\text{V}$		178		m $\Omega$
$I_B$	FB Pin Bias Current (Note 8)			60	<b>200</b>	nA
$V_{IN}$	Input Voltage Range		<b>2.2</b>		<b>12</b>	V
$T_{SS}$	Internal Soft Start Ramp Time			7		mS
$g_m$	Error Amp Transconductance	$\Delta I = 5\mu\text{A}$	<b>85</b>	110	<b>270</b>	$\mu\text{mho}$
$A_V$	Error Amp Voltage Gain			135		V/V
$D_{MAX}$	Maximum Duty Cycle		<b>78</b>	85		%
$f_s$	Switching Frequency		<b>1.0</b>	1.25	<b>1.5</b>	MHz
$I_L$	Switch Leakage Current	$V_{SW} = 18\text{V}$		0.1	<b>20</b>	$\mu\text{A}$
UVP	On Threshold		<b>1.79</b>	1.92	<b>2.05</b>	V
	Off Threshold		<b>1.69</b>	1.82	<b>1.95</b>	V
	Hysteresis			100		mV

## Electrical Characteristics — Vcom Amplifier

Specifications in standard type face are for  $T_J = 25^\circ\text{C}$  and those with **boldface type** apply over the full **Operating Temperature Range** ( $T_J = -40^\circ\text{C}$  to  $+125^\circ\text{C}$ ). Unless otherwise specified  $V_{IN} = 2.2\text{V}$ ,  $AV_{IN} = 8\text{V}$ ,  $R_{COM} = R_{GAMMA} = 50\Omega$ ,  $C_{COM} = C_{GAMMA} = 1\text{nF}$ .

### Vcom Amplifier

Symbol	Parameter	Conditions	Min (Note 4)	Typ (Note 5)	Max (Note 4)	Units
$V_{OS}$	Input Offset Voltage (Note 9)	$V_{CM} = 1\text{V}$		3.5	10	mV
		$V_{CM} = 7.5\text{V}$		3	10	
$I_B$	Input Bias Current	$V_{CM} = 1\text{V}$		55	200	nA
		$V_{CM} = 7.5\text{V}$ (Note 8)		190	300	
$I_{OS}$	Input Offset Current	$V_{CM} = 1\text{V}$		40	130	nA
		$V_{CM} = 7.5\text{V}$		5	110	
CMVR	Input Common-mode Voltage Range		<b>0</b>		<b>8</b>	V
$V_{OUT}$ Swing		$R_L = 10\text{k}\Omega$ , $V_o$ min.		0.003	<b>.02</b>	V
		$R_L = 10\text{k}\Omega$ , $V_o$ max.	<b>7.94</b>	7.98		
		$R_L = 2\text{k}\Omega$ , $V_o$ min.		0.003	<b>.02</b>	
		$R_L = 2\text{k}\Omega$ , $V_o$ max.	<b>7.9</b>	7.95		
$A_{VOL}$	Large Signal Voltage Gain	No Load, $V_o = 2\text{V}$ to $7\text{V}$	<b>74.8</b>	87.6		dB
		$R_L = 10\text{ k}\Omega$ , $V_o = 2\text{V}$ to $7\text{V}$	<b>66.8</b>	75.1		
		$R_L = 2\text{ k}\Omega$ , $V_o = 2\text{V}$ to $7\text{V}$		55.8		
$AV_{IN}$	Supply Voltage		<b>4</b>		<b>12</b>	V
CMRR	Common Mode Rejection Ratio	$V_{CM}$ stepped from $0\text{V}$ to $0.9\text{V}$	<b>72</b>	93.5		dB
		$V_{CM}$ stepped from $3\text{V}$ to $8\text{V}$	<b>80</b>	105		
		$V_{CM}$ stepped from $0\text{V}$ to $8\text{V}$	<b>57</b>	80.7		
PSRR	Power Supply Rejection Ratio	$V_{CM} = 0.5\text{V}$ , $AV_{IN} = 4$ to $12\text{V}$	<b>70</b>	77		dB
$I_{S+}$	Supply Current (Amplifier + Buffer)	$V_o = AV_{IN}/2$ , No Load		2.5	<b>4.3</b>	mA
$I_{SC}$	Output Short Circuit Current	Source	<b>45</b>	60		mA
		Sink	<b>40</b>	50		

## Electrical Characteristics — Gamma Buffer

Specifications in standard type face are for  $T_J = 25^\circ\text{C}$  and those with **boldface type** apply over the full **Operating Temperature Range** ( $T_J = -40^\circ\text{C}$  to  $+125^\circ\text{C}$ ). Unless otherwise specified  $V_{IN} = 2.2\text{V}$ ,  $AV_{IN} = 8\text{V}$ ,  $R_{COM} = R_{GAMMA} = 50\Omega$ ,  $C_{COM} = C_{GAMMA} = 1\text{nF}$ .

### Gamma Buffer

Symbol	Parameter	Conditions	Min (Note 4)	Typ (Note 5)	Max (Note 4)	Units
$V_{OS}$	Input Offset Voltage (Note 9)			1	10	mV
$I_B$	Input Bias Current (Note 8)			170	300	nA
$V_{GR}$	Gamma Input Voltage Range		<b>0</b>		<b>8</b>	V
$V_{OUT}$ Swing		$R_L = 10\text{k}\Omega$ , $V_o$ min.		0.05	<b>0.075</b>	V
		$R_L = 10\text{k}\Omega$ , $V_o$ max.	<b>7.9</b>	7.94		
		$R_L = 2\text{k}\Omega$ , $V_o$ min.		0.05	<b>0.075</b>	
		$R_L = 2\text{k}\Omega$ , $V_o$ max.	<b>7.865</b>	7.9		
$A_{VCL}$	Voltage Gain	No Load, $V_o = 2\text{V}$ to $7\text{V}$	<b>0.995</b>	0.999		V/V
		$R_L = 10\text{ k}\Omega$ , $V_o = 2\text{V}$ to $7\text{V}$	<b>0.995</b>	0.999		
		$R_L = 2\text{ k}\Omega$ , $V_o = 2\text{V}$ to $7\text{V}$	<b>0.993</b>	0.998		
PSRR	Power Supply Rejection Ratio	$AV_{IN} = 4$ to $12\text{V}$	<b>70</b>	77		dB
$AV_{IN}$	Supply Voltage		<b>4</b>		<b>12</b>	V

## Electrical Characteristics — Gamma Buffer (Continued)

Specifications in standard type face are for  $T_J = 25^\circ\text{C}$  and those with **boldface type** apply over the full **Operating Temperature Range** ( $T_J = -40^\circ\text{C}$  to  $+125^\circ\text{C}$ ). Unless otherwise specified  $V_{IN} = 2.2\text{V}$ ,  $AV_{IN} = 8\text{V}$ ,  $R_{COM} = R_{GAMMA} = 50\Omega$ ,  $C_{COM} = C_{GAMMA} = 1\text{nF}$ .

### Gamma Buffer

Symbol	Parameter	Conditions	Min (Note 4)	Typ (Note 5)	Max (Note 4)	Units
$I_{S+}$	Supply Current (Amplifier + Buffer)	$V_o = AV_{IN}/2$ , No Load		2.5	<b>4.3</b>	mA
$I_{SC}$	Output Short Circuit Current	Source	<b>50</b>	66		mA
		Sink	<b>40</b>	56		

## Electrical Characteristics — PMOS Switch Logic Control

Specifications in standard type face are for  $T_J = 25^\circ\text{C}$  and those with **boldface type** apply over the full **Operating Temperature Range** ( $T_J = -40^\circ\text{C}$  to  $+125^\circ\text{C}$ ). Unless otherwise specified  $V_{IN} = 2.2\text{V}$ ,  $AV_{IN} = 8\text{V}$ ,  $R_{COM} = R_{GAMMA} = 50\Omega$ ,  $C_{COM} = C_{GAMMA} = 1\text{nF}$ .

### PMOS Switch Logic Control

Symbol	Parameter	Conditions	Min (Note 4)	Typ (Note 5)	Max (Note 4)	Units
$I_{DELAY}$	Delay Current		<b>4.7</b>	5.7	<b>6.4</b>	$\mu\text{A}$
$R_{DSON}$	PMOS Switch ON Resistance			7	<b>20</b>	$\Omega$
$I_{SWO}$	PMOS Switch Current	Switch ON		20		mA
$I_{SWI}$	PMOS Switch Input Current	SWC = 0V, SWO Open, SWI = 30V		50	<b>100</b>	$\mu\text{A}$
		SWC = 1.7V, SWO Open, SWI = 30V		175	<b>350</b>	
$V_{SWC}$	Switch ON		<b>1.5</b>	1.1		V
	Switch OFF			1.1	<b>0.7</b>	

**Note 1:** The maximum allowable power dissipation is a function of the maximum junction temperature,  $T_J(\text{MAX})$ , the junction-to-ambient thermal resistance,  $\theta_{JA}$ , and the ambient temperature,  $T_A$ . The maximum allowable power dissipation at any ambient temperature is calculated using:  $P_D(\text{MAX}) = (T_J(\text{MAX}) - T_A)/\theta_{JA}$ . Exceeding the maximum allowable power dissipation will cause excessive die temperature, and the regulator will go into thermal shutdown.

**Note 2:** Absolute maximum ratings are limits beyond which damage to the device may occur. Operating Ratings are conditions for which the device is intended to be functional, but device parameter specifications may not be guaranteed. For guaranteed specifications and test conditions, see the Electrical Characteristics.

**Note 3:** The human body model is a 100 pF capacitor discharged through a 1.5k $\Omega$  resistor into each pin.

**Note 4:** All limits guaranteed at room temperature (standard typeface) and at temperature extremes (bold typeface). All room temperature limits are 100% production tested or guaranteed through statistical analysis. All limits at temperature extremes are guaranteed via correlation using standard Statistical Quality Control (SQC) methods. All limits are used to calculate Average Outgoing Quality Level (AOQL).

**Note 5:** Typical numbers are at  $25^\circ\text{C}$  and represent the most likely norm.

**Note 6:** Duty cycle affects current limit due to ramp generator. See *Typical Performance Characteristics* for a graph of Power Switch Current Limit vs.  $V_{IN}$  and Power Switch Current Limit vs. Temp.

**Note 7:** See *Typical Performance Characteristics* section for Tri-Temperature data for  $R_{DSON}$  vs.  $V_{IN}$ .

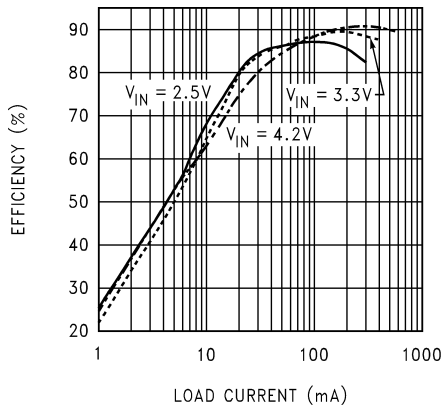
**Note 8:** Bias current flows into pin.

**Note 9:** Refer to the graphs titled "Input Offset Voltage vs. Common Mode Voltage".



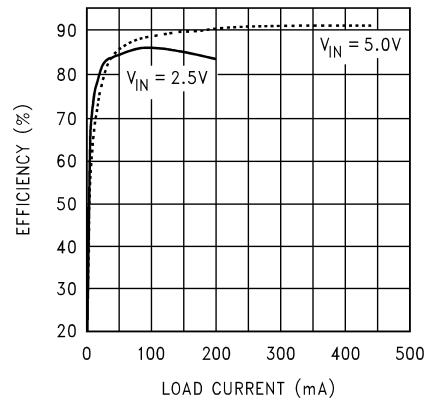
# Typical Performance Characteristics

**Efficiency vs. Load Current**  
( $V_{OUT} = 8V$ )



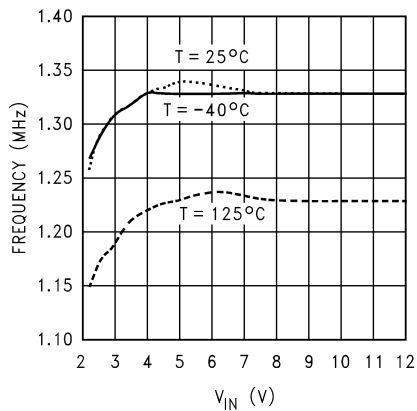
20058426

**Efficiency vs. Load Current**  
( $V_{OUT} = 10V$ )



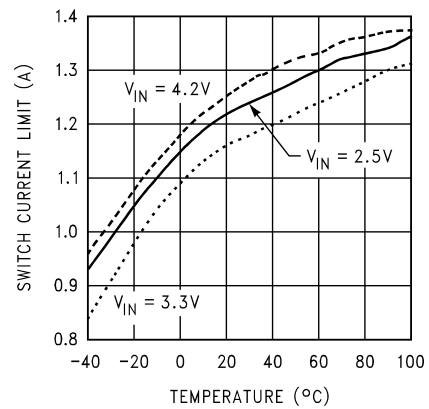
20058473

**Frequency vs. VIN**



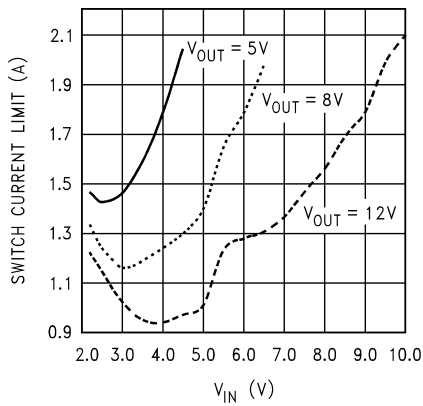
20058425

**Power Switch Current Limit vs. Temperature**  
( $V_{OUT} = 8V$ )



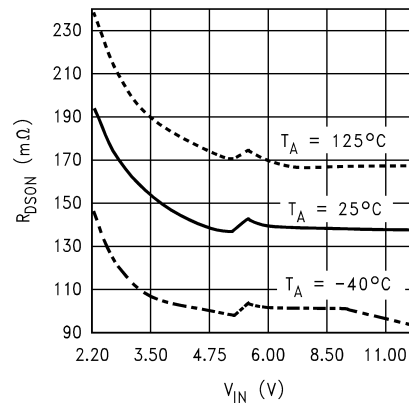
20058420

**Power Switch Current Limit vs. VIN**



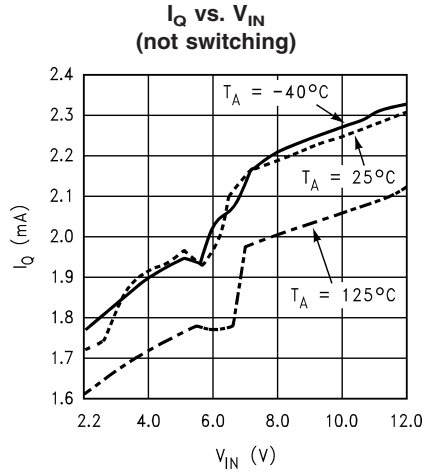
20058422

**$R_{DS(ON)}$  vs. VIN**  
( $I_{SW} = 1A$ )

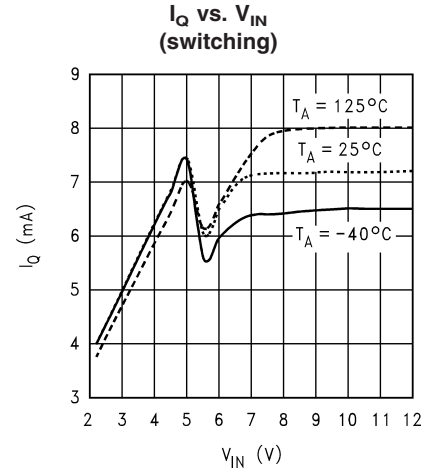


20058427

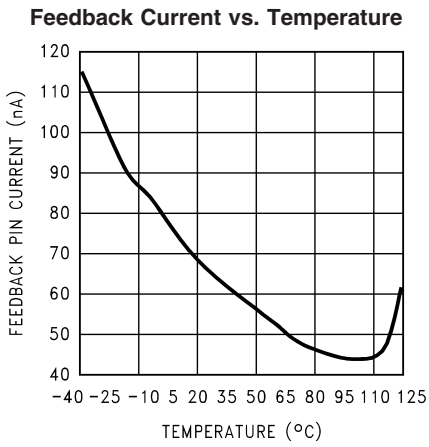
Typical Performance Characteristics (Continued)



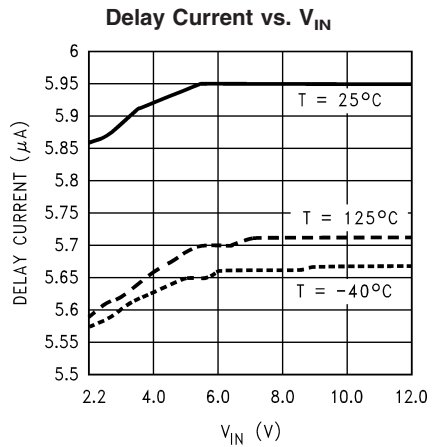
20058421



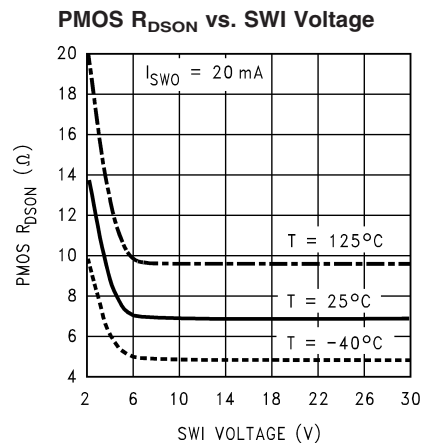
20058429



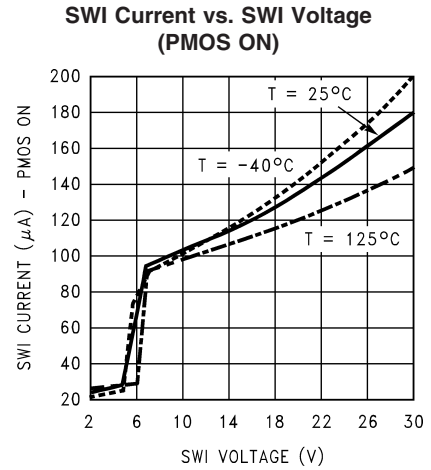
20058463



20058465



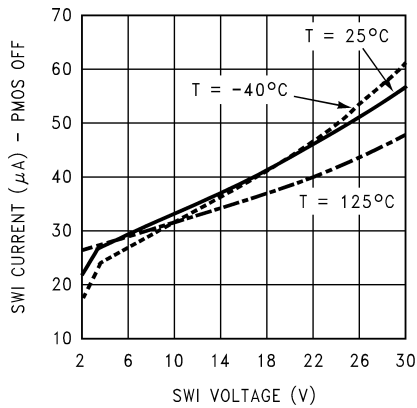
20058466



20058467

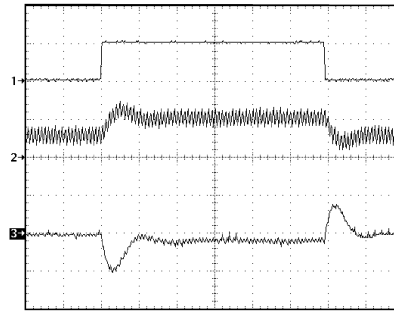
# Typical Performance Characteristics (Continued)

**SWI Current vs. SWI Voltage (PMOS OFF)**



20058468

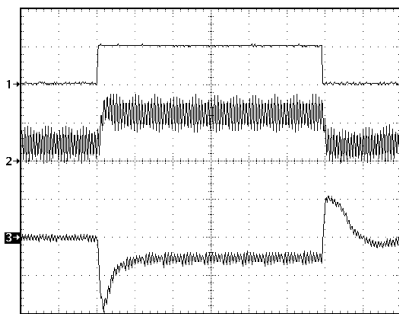
**Load Transient Response**



20058416

$V_{OUT} = 8V$ ,  $V_{IN} = 2.5V$   
 1) Load, 80mA to 145mA to 80mA  
 2)  $I_L$ , 500mA/div, DC  
 3)  $V_{OUT}$ , 100mV/div, AC  
 T = 50µs/div

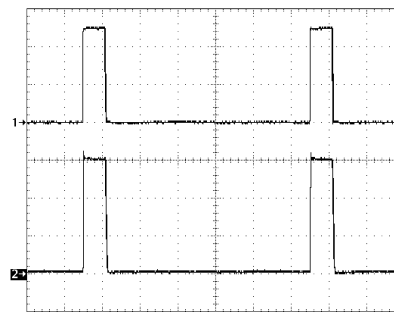
**Load Transient Response**



20058490

$V_{OUT} = 10V$ ,  $V_{IN} = 2.5V$   
 1) Load, 100mA to 300mA to 100mA, DC  
 2)  $I_L$ , 500mA/div, DC  
 3)  $V_{OUT}$ , 200mV/div, AC  
 T = 50µs/div

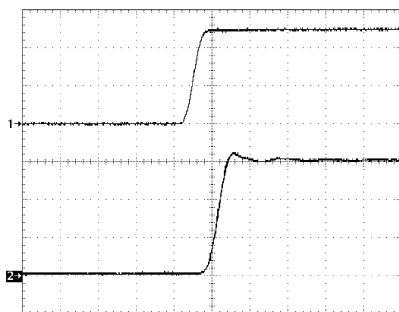
**PMOS Switching Waveform**



20058458

$V_{OUT} = 8V$ ,  $V_{IN} = 2.5V$ ,  $R_{LOAD} = 40\Omega$   
 $C_D = 100nF$ ,  $R_{SW} = 10k||1.5k$ ,  $SWI = 30V$ , 10% duty cycle  
 1) SWC, 1V/div, DC  
 2) SWO, 10V/div, DC  
 T = 2.5µs/div

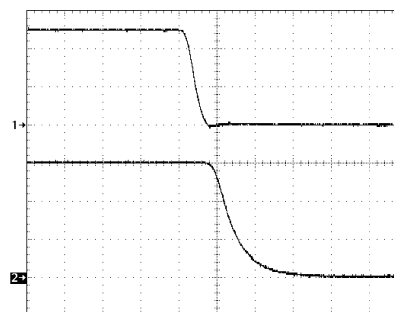
**PMOS Rising Edge**



20058459

$V_{OUT} = 8V$ ,  $V_{IN} = 2.5V$ ,  $R_{LOAD} = 40\Omega$   
 $C_D = 100nF$ ,  $R_{SW} = 10k||1.5k$ ,  $SWI = 30V$   
 1) SWC, 1V/div, DC  
 2) SWO, 10V/div, DC  
 T = 50ns/div

**PMOS Falling Edge**

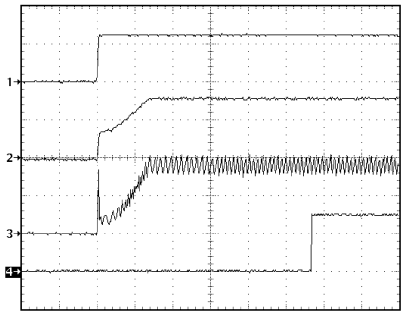


20058460

$V_{OUT} = 8V$ ,  $V_{IN} = 2.5V$ ,  $R_{LOAD} = 40\Omega$   
 $C_D = 100nF$ ,  $R_{SW} = 10k||1.5k$ ,  $SWI = 30V$   
 1) SWC, 1V/div, DC  
 2) SWO, 10V/div, DC  
 T = 50ns/div

Typical Performance Characteristics (Continued)

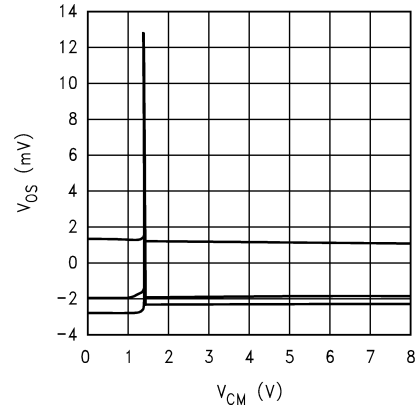
Internal Soft Start and PMOS Delay



20058461

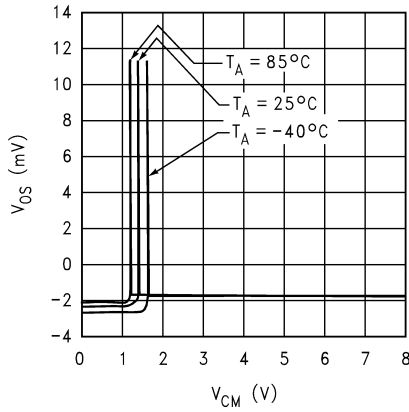
$V_{OUT} = 8V$ ,  $V_{IN} = 2.5V$ ,  $R_{LOAD} = 32\Omega$   
 $C_D = 100nF$ ,  $R_{SW} = 10k|1.5k$ ,  $SWI = 30V$ ,  $SWC = V_{IN}$   
 1)  $V_{IN}$ , 2V/div, DC  
 2)  $V_{OUT}$ , 5V/div, DC  
 3)  $I_L$ , 500mA/div, DC  
 4) SWO, 20V/div, DC  
 T = 5ms/div

Input Offset Voltage vs. Common Mode Voltage (Vcom, 3 units)



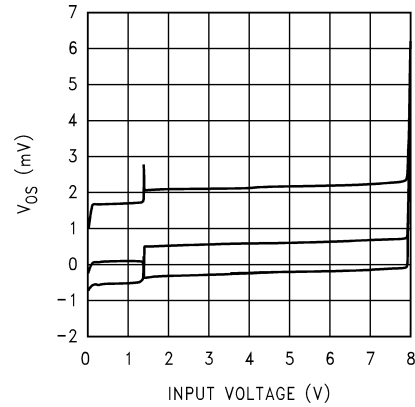
20058474

Input Offset Voltage vs. Common Mode Voltage (Vcom Over Temperature)



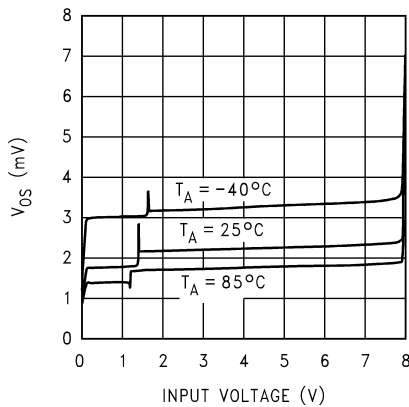
20058475

Input Offset Voltage vs. Common Mode Voltage (Gamma, 3 units)



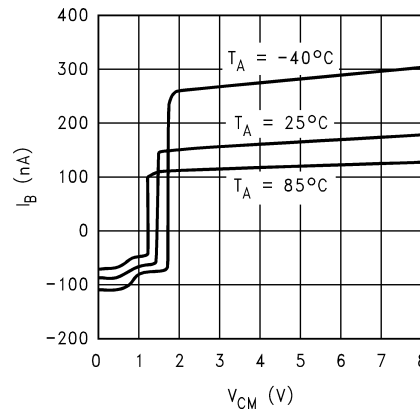
20058476

Input Offset Voltage vs. Common Mode Voltage (Gamma Over Temperature)



20058477

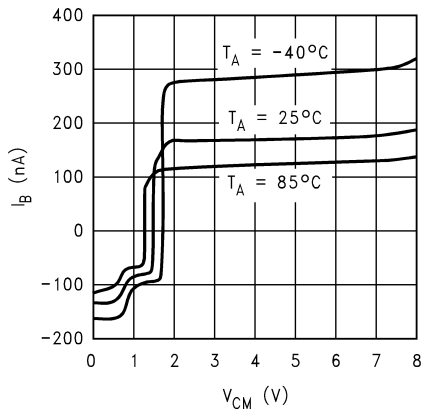
Input Bias Current vs. Common Mode Voltage (Vcom)



20058478

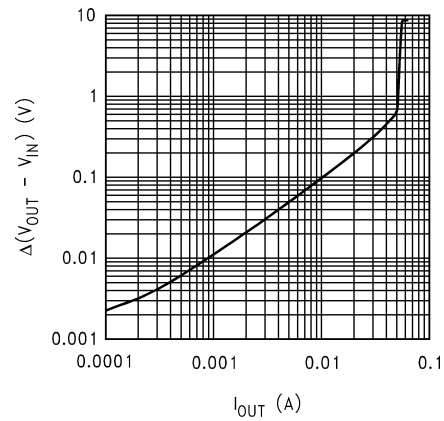
# Typical Performance Characteristics (Continued)

**Input Bias Current vs. Common Mode Voltage (Gamma)**



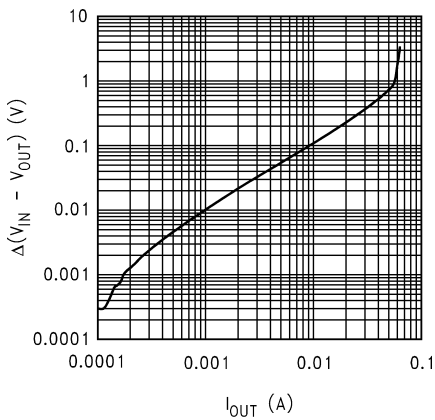
20058479

**Output Voltage vs. Output Current (Vcom or Gamma, sinking)**



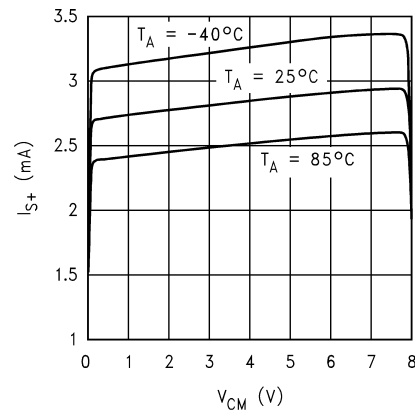
20058480

**Output Voltage vs. Output Current (Vcom or Gamma, sourcing)**



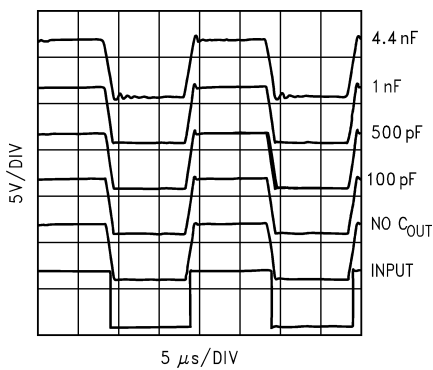
20058481

**Supply Current vs. Common Mode Voltage (Both Amplifiers)**



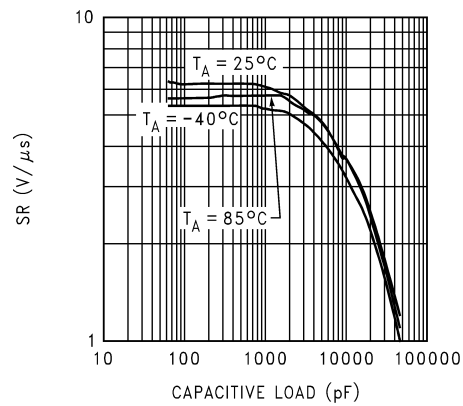
20058482

**Large Signal Step Response**



20058483

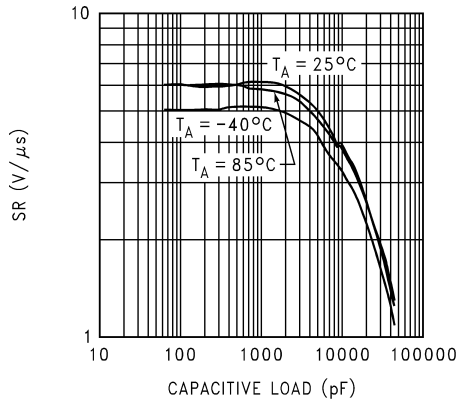
**Negative Slew Rate vs. Capacitive Load (Vcom or Gamma)**



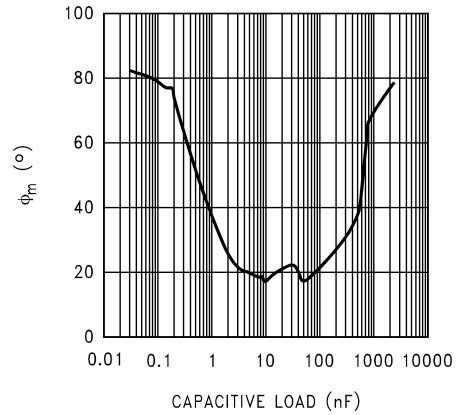
20058484

Typical Performance Characteristics (Continued)

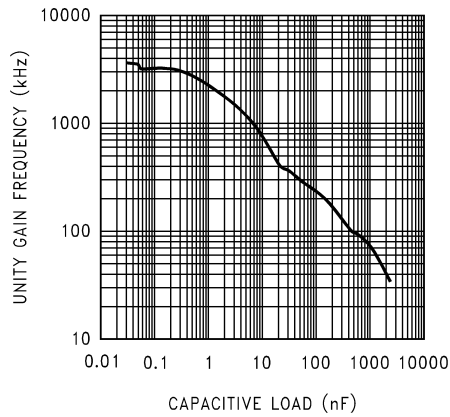
Positive Slew Rate vs. Capacitive Load (Vcom or Gamma)



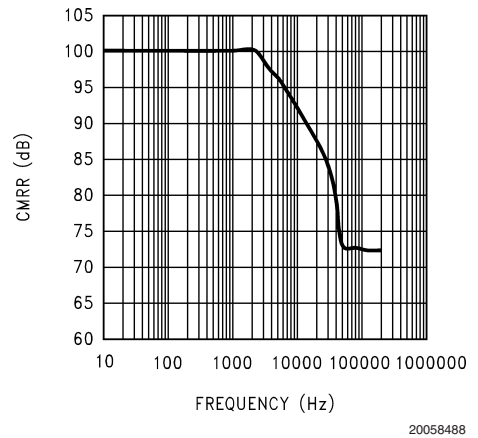
Phase Margin vs. Capacitive Load (Vcom)



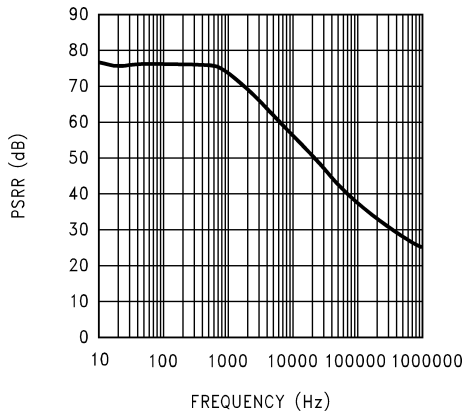
Unity Gain Frequency vs. Capacitive Load (Vcom)



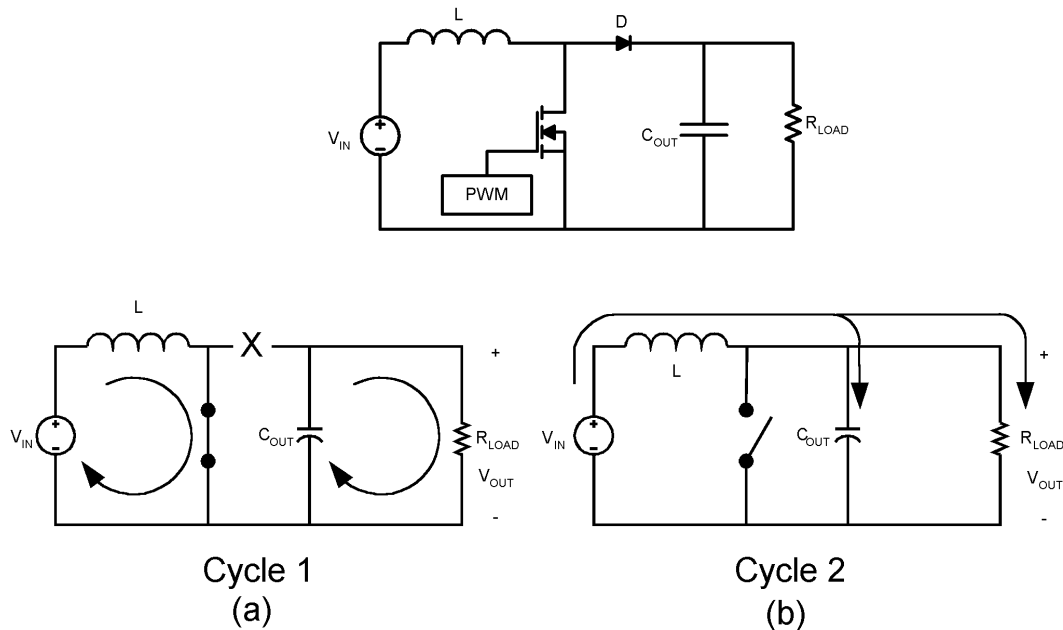
CMRR vs. Frequency (Vcom)



PSRR vs. Frequency (Vcom)



## Operation



20058402

**FIGURE 1. Simplified Boost Converter Diagram**  
(a) First Cycle of Operation (b) Second Cycle Of Operation

### CONTINUOUS CONDUCTION MODE

The LM2715 is a TFT Panel Module containing a current-mode, PWM boost regulator. A boost regulator steps the input voltage up to a higher output voltage. In continuous conduction mode (when the inductor current never reaches zero at steady state), the boost regulator operates in two cycles.

In the first cycle of operation, shown in *Figure 1 (a)*, the transistor is closed and the diode is reverse biased. Energy is collected in the inductor and the load current is supplied by  $C_{OUT}$ .

The second cycle is shown in *Figure 1 (b)*. During this cycle, the transistor is open and the diode is forward biased. The energy stored in the inductor is transferred to the load and output capacitor.

The ratio of these two cycles determines the output voltage. The output voltage is defined approximately as:

$$V_{OUT} = \frac{V_{IN}}{1-D}, D' = (1-D) = \frac{V_{IN}}{V_{OUT}}$$

where  $D$  is the duty cycle of the switch,  $D$  and  $D'$  will be required for design calculations

### SETTING THE OUTPUT VOLTAGE

The output voltage is set using the feedback pin and a resistor divider connected to the output as shown in the typical operating circuit. The feedback pin voltage is 1.265V, so the ratio of the feedback resistors sets the output voltage according to the following equation:

$$R1 = R2 \left( \frac{V_{OUT}}{1.265V} - 1 \right)$$

### SOFT-START

The LM2715 has patented internal circuitry that is used to limit the inductor inrush current on start-up of the boost DC/DC switching regulator. This inrush current limiting circuitry serves as a soft-start. The soft-start time is set by the internal soft-start circuitry, typically 7ms.

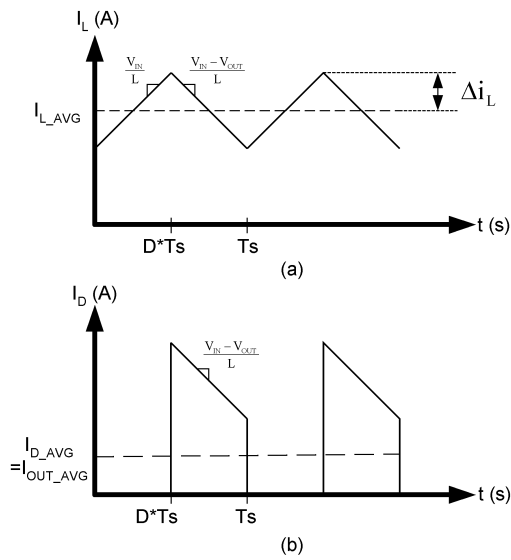
### DELAY CAPACITOR

The LM2715 has internal circuitry that can be used to set a delay time preventing control of the PMOS switch via SWC until a desired amount of time after the switcher starts up. The PMOS control circuitry remains inactive until  $V_{OUT}$  reaches 85% of the nominal output voltage. When this occurs,  $C_D$  begins to charge. When the voltage on the Delay pin reaches 1.265V the PMOS switch will become active and can be controlled using the SWC pin. If no  $C_D$  is used, the PMOS switch can be controlled immediately after  $V_{OUT}$  reaches 85% of the nominal output voltage. The delay time can be calculated using the equation:

$$T_D = C_D * (1.265V/5.7\mu A)$$

## Operation (Continued)

### INTRODUCTION TO COMPENSATION



20058405

FIGURE 2. (a) Inductor current. (b) Diode current.

The LM2715 contains a current mode PWM boost converter. The signal flow of this control scheme has two feedback loops, one that senses switch current and one that senses output voltage.

To keep a current programmed control converter stable above duty cycles of 50%, the inductor must meet certain criteria. The inductor, along with input and output voltage, will determine the slope of the current through the inductor (see Figure 2 (a)). If the slope of the inductor current is too great, the circuit will be unstable above duty cycles of 50%. A 4.7 $\mu$ H inductor is recommended for most applications. If the duty cycle is approaching the maximum of 85%, it may be necessary to increase the inductance by as much as 2X. See *Inductor and Diode Selection* for more detailed inductor sizing.

The LM2715 provides a compensation pin ( $V_C$ ) to customize the voltage loop feedback. It is recommended that a series combination of  $R_C$  and  $C_C$  be used for the compensation network, as shown in the typical application circuit. For any given application, there exists a unique combination of  $R_C$  and  $C_C$  that will optimize the performance of the LM2715 circuit in terms of its transient response. The series combination of  $R_C$  and  $C_C$  introduces a pole-zero pair according to the following equations:

$$f_{zc} = \frac{1}{2\pi R_C C_C} \text{ Hz}$$

$$f_{pc} = \frac{1}{2\pi(R_C + R_O)C_C} \text{ Hz}$$

where  $R_O$  is the output impedance of the error amplifier, approximately 1M $\Omega$ . For most applications, performance can be optimized by choosing values within the range  $5k\Omega \leq R_C \leq 40k\Omega$  ( $R_C$  can be up to 200k $\Omega$  if  $C_{C2}$  is used, see *High Output Capacitor ESR Compensation*) and  $680pF \leq C_C \leq$

4.7nF. Refer to the Typical Application Circuit and the *Applications Information* section for recommended values for specific circuits and conditions. Refer to the *Compensation* section for other design requirement.

### COMPENSATION FOR BOOST DC/DC

This section will present a general design procedure to help insure a stable and operational circuit. The designs in this datasheet are optimized for particular requirements. If different conversions are required, some of the components may need to be changed to ensure stability. Below is a set of general guidelines in designing a stable circuit for continuous conduction operation (Inductor current never reaches zero), in most all cases this will provide for stability during discontinuous operation as well. The power components and their effects will be determined first, then the compensation components will be chosen to produce stability.

### INDUCTOR AND DIODE SELECTION

Although the inductor size mentioned earlier is fine for most applications, a more exact value can be calculated. To ensure stability at duty cycles above 50%, the inductor must have some minimum value determined by the minimum input voltage and the maximum output voltage. This equation is:

$$L > \frac{V_{IN} R_{DSON}}{0.362 f_s} \left[ \frac{D}{D'} - 1 \right] \text{ (in H)}$$

where  $f_s$  is the switching frequency,  $D$  is the duty cycle, and  $R_{DSON}$  is the ON resistance of the internal switch taken from the graph " $R_{DSON}$  vs.  $V_{IN}$ " in the *Typical Performance Characteristics* section. This equation is only good for duty cycles greater than 50% ( $D > 0.5$ ), for duty cycles less than 50% the recommended values may be used. The corresponding inductor current ripple as shown in Figure 2 (a) is given by:

$$\Delta i_L = \frac{V_{IN} D}{2L f_s} \text{ (in Amps)}$$

The inductor ripple current is important for a few reasons. One reason is because the peak switch current will be the average inductor current (input current or  $I_{LOAD}/D'$ ) plus  $\Delta i_L$ . As a side note, discontinuous operation occurs when the inductor current falls to zero during a switching cycle, or  $\Delta i_L$  is greater than the average inductor current. Therefore, continuous conduction mode occurs when  $\Delta i_L$  is less than the average inductor current. Care must be taken to make sure that the switch will not reach its current limit during normal operation. The inductor must also be sized accordingly. It should have a saturation current rating higher than the peak inductor current expected. The output and input voltage ripples are also affected by the total ripple current.

The output diode for a boost regulator must be chosen correctly depending on the output voltage and the output current. The typical current waveform for the diode in continuous conduction mode is shown in Figure 2 (b). The diode must be rated for a reverse voltage greater than the output voltage used. The average current rating must be greater than the maximum load current expected, and the peak current rating must be greater than the peak inductor current. During short circuit testing, or if short circuit conditions are possible in the application, the diode current rating must



## Operation (Continued)

exceed the switch current limit. Using Schottky diodes with lower forward voltage drop will decrease power dissipation and increase efficiency.

### DC GAIN AND OPEN-LOOP GAIN

Since the control stage of the converter forms a complete feedback loop with the power components, it forms a closed-loop system that must be stabilized to avoid positive feedback and instability. A value for open-loop DC gain will be required, from which you can calculate, or place, poles and zeros to determine the crossover frequency and the phase margin. A high phase margin (greater than 45°) is desired for the best stability and transient response. For the purpose of stabilizing the LM2715, choosing a crossover point well below where the right half plane zero is located will ensure sufficient phase margin. A discussion of the right half plane zero and checking the crossover using the DC gain will follow.

### INPUT AND OUTPUT CAPACITOR SELECTION

The switching action of a boost regulator causes a triangular voltage waveform at the input. A capacitor is required to reduce the input ripple and noise for proper operation of the regulator. The size used depends on the application and board layout. If the regulator will be loaded uniformly, with very little load changes, and at lower current outputs, the input capacitor size can often be reduced. The size can also be reduced if the input of the regulator is very close to the source output. The size will generally need to be larger for applications where the regulator is supplying nearly the maximum rated output or if large load steps are expected. A minimum value of 10µF should be used for the less stressful conditions while a 22µF to 47µF capacitor may be required for higher power and dynamic loads. Larger values and/or lower ESR may be needed if the application requires very low ripple on the input source voltage.

The choice of output capacitors is also somewhat arbitrary and depends on the design requirements for output voltage ripple. It is recommended that low ESR (Equivalent Series Resistance, denoted  $R_{ESR}$ ) capacitors be used such as ceramic, polymer electrolytic, or low ESR tantalum. Higher ESR capacitors may be used but will require more compensation which will be explained later on in the section. The ESR is also important because it determines the peak to peak output voltage ripple according to the approximate equation:

$$\Delta V_{OUT} \cong 2\Delta i_L R_{ESR} \text{ (in Volts)}$$

A minimum value of 10µF is recommended and may be increased to a larger value. After choosing the output capacitor you can determine a pole-zero pair introduced into the control loop by the following equations:

$$f_{P1} = \frac{1}{2\pi(R_{ESR} + R_L)C_{OUT}} \text{ (in Hz)}$$

$$f_{Z1} = \frac{1}{2\pi R_{ESR} C_{OUT}} \text{ (in Hz)}$$

Where  $R_L$  is the minimum load resistance corresponding to the maximum load current. The zero created by the ESR of the output capacitor is generally very high frequency if the

ESR is small. If low ESR capacitors are used it can be neglected. If higher ESR capacitors are used see the *High Output Capacitor ESR Compensation* section.

### RIGHT HALF PLANE ZERO

A current mode control boost regulator has an inherent right half plane zero (RHP zero). This zero has the effect of a zero in the gain plot, causing an imposed +20dB/decade on the rolloff, but has the effect of a pole in the phase, subtracting another 90° in the phase plot. This can cause undesirable effects if the control loop is influenced by this zero. To ensure the RHP zero does not cause instability issues, the control loop should be designed to have a bandwidth of less than 1/6 the frequency of the RHP zero. This zero occurs at a frequency of:

$$\text{RHPzero} = \frac{V_{OUT}(D')^2}{2\pi I_{LOAD} L} \text{ (in Hz)}$$

where  $I_{LOAD}$  is the maximum load current.

### SELECTING THE COMPENSATION COMPONENTS

The first step in selecting the compensation components  $R_C$  and  $C_C$  is to set a dominant low frequency pole in the control loop. Simply choose values for  $R_C$  and  $C_C$  within the ranges given in the *Introduction to Compensation* section to set this pole in the area of 10Hz to 500Hz. The frequency of the pole created is determined by the equation:

$$f_{PC} = \frac{1}{2\pi(R_C + R_O)C_C} \text{ (in Hz)}$$

where  $R_O$  is the output impedance of the error amplifier, approximately 1MΩ. Since  $R_C$  is generally much less than  $R_O$ , it does not have much effect on the above equation and can be neglected until a value is chosen to set the zero  $f_{ZC}$ .  $f_{ZC}$  is created to cancel out the pole created by the output capacitor,  $f_{P1}$ . The output capacitor pole will shift with different load currents as shown by the equation, so setting the zero is not exact. Determine the range of  $f_{P1}$  over the expected loads and then set the zero  $f_{ZC}$  to a point approximately in the middle. The frequency of this zero is determined by:

$$f_{ZC} = \frac{1}{2\pi C_C R_C} \text{ (in Hz)}$$

Now  $R_C$  can be chosen with the selected value for  $C_C$ . Check to make sure that the pole  $f_{PC}$  is still in the 10Hz to 500Hz range, change each value slightly if needed to ensure both component values are in the recommended range. After checking the design at the end of this section, these values can be changed a little more to optimize performance if desired. This is best done in the lab on a bench, checking the load step response with different values until the ringing and overshoot on the output voltage at the edge of the load steps is minimal. This should produce a stable, high performance circuit. For improved transient response, higher values of  $R_C$  should be chosen. This will improve the overall bandwidth which makes the regulator respond more quickly to transients. If more detail is required, or the most optimal performance is desired, refer to a more in depth discussion of compensating current mode DC/DC switching regulators.

## Operation (Continued)

### HIGH OUTPUT CAPACITOR ESR COMPENSATION

When using an output capacitor with a high ESR value, or just to improve the overall phase margin of the control loop, another pole may be introduced to cancel the zero created by the ESR. This is accomplished by adding another capacitor,  $C_{C2}$ , directly from the compensation pin  $V_C$  to ground, in parallel with the series combination of  $R_C$  and  $C_C$ . The pole should be placed at the same frequency as  $f_{Z1}$ , the ESR zero. The equation for this pole follows:

$$f_{PC2} = \frac{1}{2\pi C_{C2}(R_C // R_O)} \text{ (in Hz)}$$

To ensure this equation is valid, and that  $C_{C2}$  can be used without negatively impacting the effects of  $R_C$  and  $C_C$ ,  $f_{PC2}$  must be greater than  $10f_{ZC}$ .

### CHECKING THE DESIGN

The final step is to check the design. This is to ensure a bandwidth of 1/6 or less of the frequency of the RHP zero. This is done by calculating the open-loop DC gain,  $A_{DC}$ . After this value is known, you can calculate the crossover visually by placing a  $-20\text{dB/decade}$  slope at each pole, and a  $+20\text{dB/decade}$  slope for each zero. The point at which the gain plot crosses unity gain, or  $0\text{dB}$ , is the crossover frequency. If the crossover frequency is less than 1/6 the RHP zero, the phase margin should be high enough for stability. The phase margin can also be improved by adding  $C_{C2}$  as discussed earlier in the section. The equation for  $A_{DC}$  is given below with additional equations required for the calculation:

$$A_{DC(\text{dB})} = 20 \log_{10} \left( \left( \frac{R_{FB2}}{R_{FB1} + R_{FB2}} \right) \frac{g_m R_O D'}{R_{DSON}} \{[(\omega_c L_{\text{eff}}) // R_L] // R_U\} \right) \text{ (in dB)}$$

$$\omega_c \cong \frac{2f_s}{nD'} \text{ (in rad/s)}$$

$$L_{\text{eff}} = \frac{L}{(D')^2}$$

$$n = 1 + \frac{2mc}{m1} \text{ (no unit)}$$

$$mc \cong 0.181f_s \text{ (in V/s)}$$

$$m1 \cong \frac{V_{IN} R_{DSON}}{L} \text{ (in V/s)}$$

where  $R_L$  is the minimum load resistance,  $V_{IN}$  is the minimum input voltage,  $g_m$  is the error amplifier transconductance

found in the *Electrical Characteristics* table, and  $R_{DSON}$  is the value chosen from the graph " $R_{DSON}$  vs.  $V_{IN}$ " in the *Typical Performance Characteristics* section.

### LAYOUT CONSIDERATIONS

#### Vcom AND Gamma

If the supply input,  $AV_{IN}$ , of the Vcom amplifier and Gamma buffer is tied directly to the output of the boost DC/DC converter, a  $100\text{nF}$  bypass capacitor should be connected close to the device between  $AV_{IN}$  and PGND. If the  $AV_{IN}$  supply is connected to an external source, a larger bypass capacitor may be required for desired performance depending on the external supply voltage ripple and noise.

The Gamma buffer and Vcom amplifier input signal traces should be routed away from the SW pin. Routing these traces near the SW pin may inject noise into the device and affect the performance of the amplifier and/or buffer. If resistor dividers are used to drive the inputs of either the Vcom amplifier or Gamma buffer the ground connections for them should be made to AGND to minimize noise.

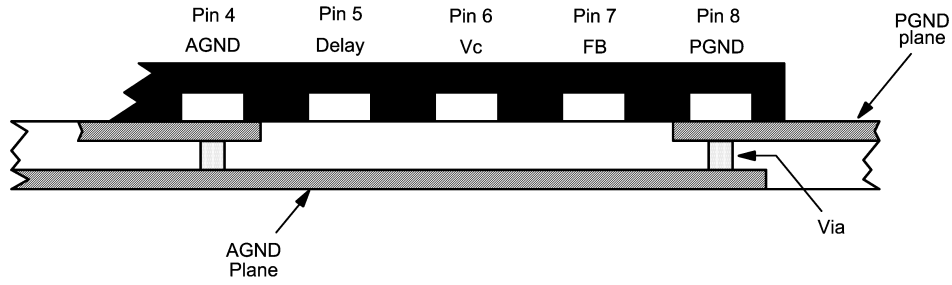
#### BOOST SWITCHING REGULATOR

The LM2715 uses two ground connections, PGND and AGND. The feedback, delay, and compensation networks should be connected directly to their own dedicated analog ground plane and this ground plane must connect to the AGND pin, as shown in *Figure 3*. No other circuits should connect to this AGND plane. If no analog ground plane is available then the ground connections of the feedback, delay, and compensation networks must tie directly to the AGND pin, as shown in *Figure 4*. Connecting these networks to the PGND plane can inject noise into the system and effect performance.

The input bypass capacitor  $C_{IN}$  must be placed close to the device and should connect between  $V_{IN}$  and PGND. This will reduce copper trace resistance which effects input voltage ripple of the IC. For additional input voltage filtering, a  $100\text{nF}$  bypass capacitor can be placed in parallel with  $C_{IN}$ , close to the  $V_{IN}$  pin, to shunt any high frequency noise to ground. The output capacitor,  $C_{OUT}$ , should also be placed close to the device and should connect between  $V_{OUT}$  and PGND. Any copper trace connections for the  $C_{OUT}$  capacitor can increase the series resistance, which directly effects output voltage ripple and efficiency. The feedback network, resistors  $R1$  and  $R2$ , should be kept close to the FB pin, and away from the inductor, to minimize copper trace connections that can inject noise into the system. Trace connections made to the inductor and schottky diode should be minimized to reduce power dissipation and increase overall efficiency.

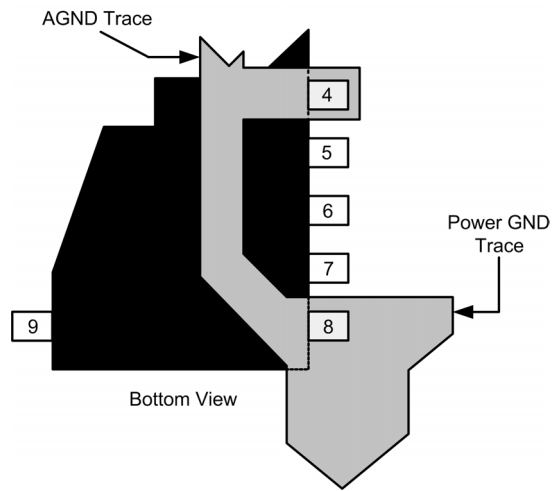
The AGND and PGND pins must connect directly to each other at the device as shown in *Figure 3* and *Figure 4*. Failure to do so may affect the performance of the LM2715 and limit its output current capability.

# Operation (Continued)



20058452

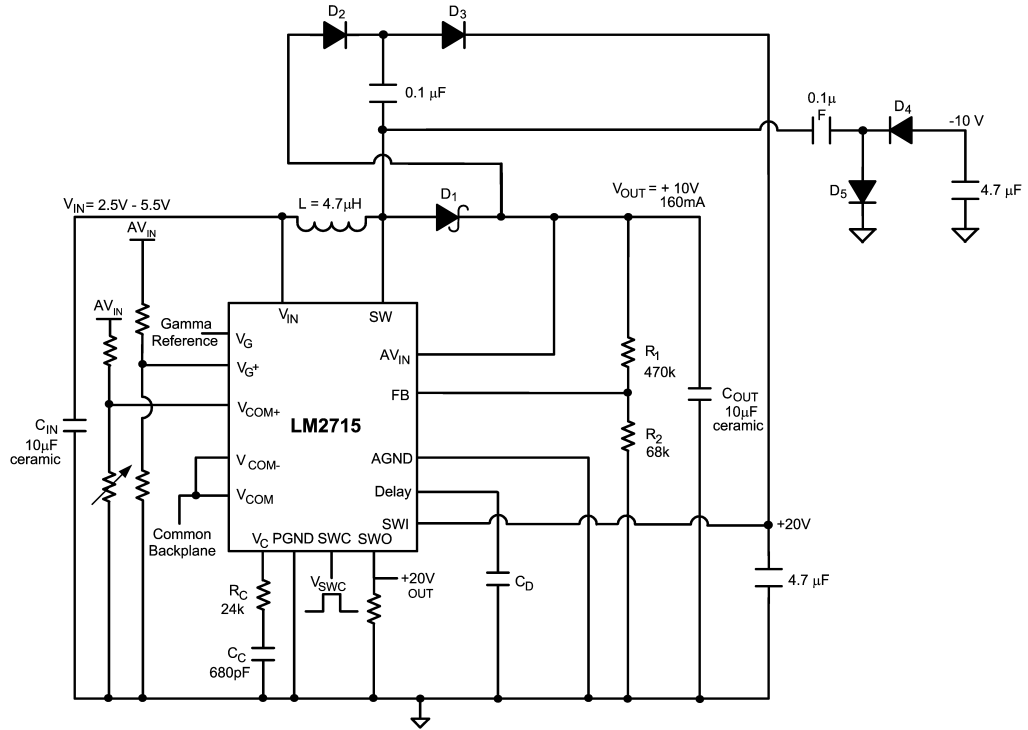
FIGURE 3. Multi-Layer Layout



20058453

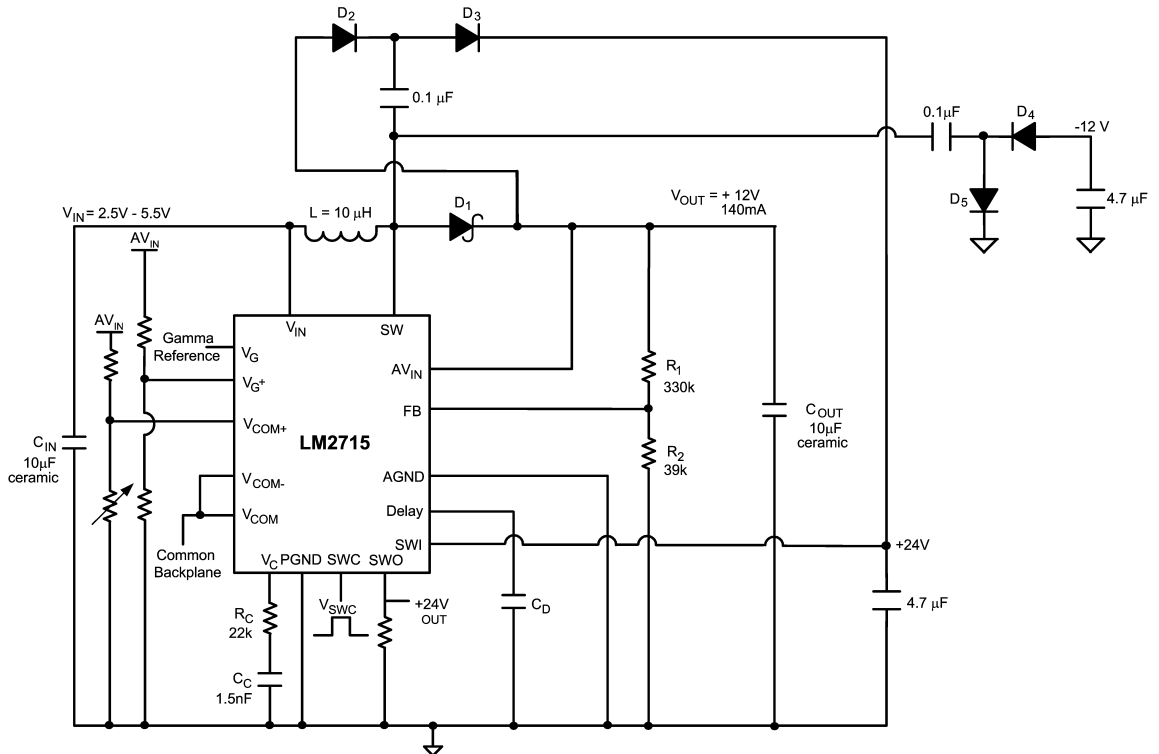
FIGURE 4. Single Layer Layout

# Application Information



20058472

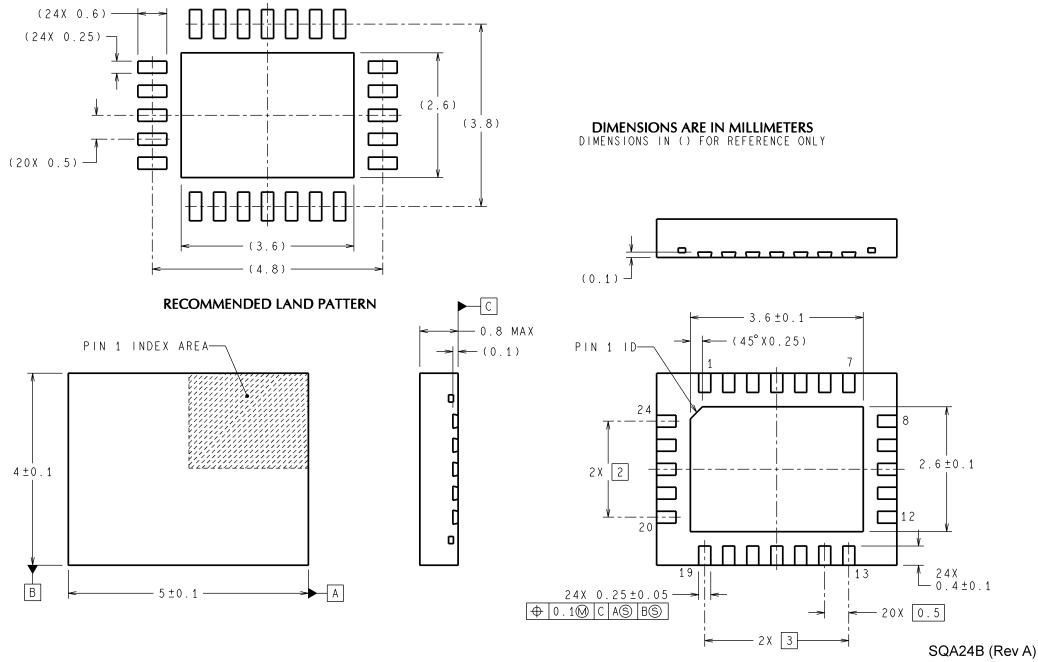
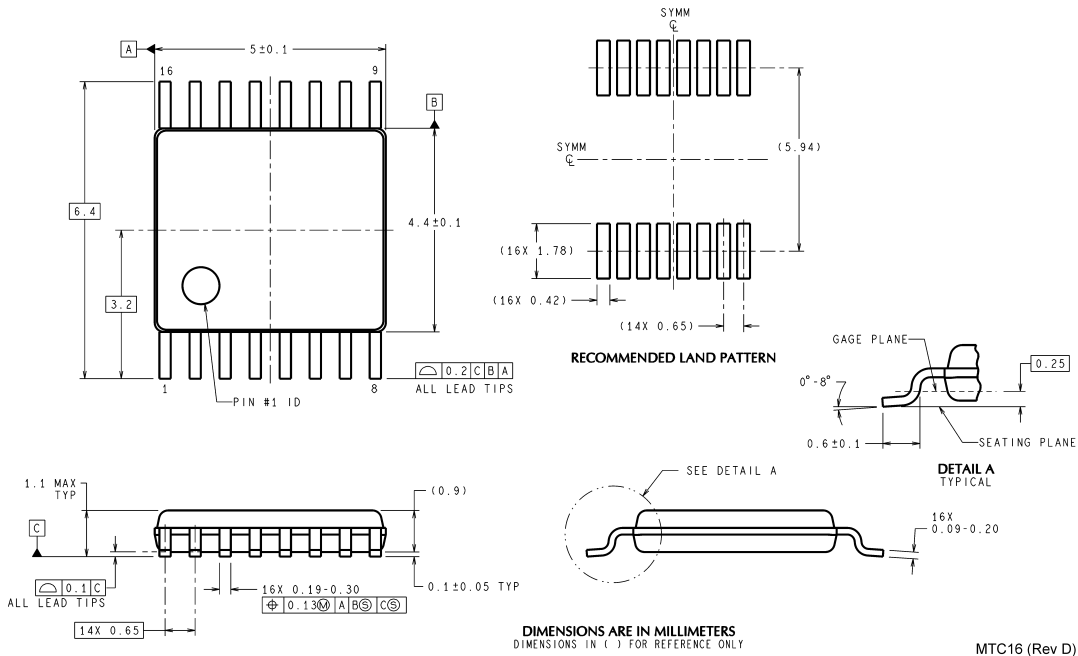
FIGURE 5. Li-Ion to 10V TFT Application



20058491

FIGURE 6. Li-Ion to 12V TFT Application

**Physical Dimensions** inches (millimeters) unless otherwise noted



## Notes

National does not assume any responsibility for use of any circuitry described, no circuit patent licenses are implied and National reserves the right at any time without notice to change said circuitry and specifications.

For the most current product information visit us at [www.national.com](http://www.national.com).

### LIFE SUPPORT POLICY

NATIONAL'S PRODUCTS ARE NOT AUTHORIZED FOR USE AS CRITICAL COMPONENTS IN LIFE SUPPORT DEVICES OR SYSTEMS WITHOUT THE EXPRESS WRITTEN APPROVAL OF THE PRESIDENT AND GENERAL COUNSEL OF NATIONAL SEMICONDUCTOR CORPORATION. As used herein:

1. Life support devices or systems are devices or systems which, (a) are intended for surgical implant into the body, or (b) support or sustain life, and whose failure to perform when properly used in accordance with instructions for use provided in the labeling, can be reasonably expected to result in a significant injury to the user.
2. A critical component is any component of a life support device or system whose failure to perform can be reasonably expected to cause the failure of the life support device or system, or to affect its safety or effectiveness.

### BANNED SUBSTANCE COMPLIANCE

National Semiconductor manufactures products and uses packing materials that meet the provisions of the Customer Products Stewardship Specification (CSP-9-111C2) and the Banned Substances and Materials of Interest Specification (CSP-9-111S2) and contain no "Banned Substances" as defined in CSP-9-111S2.

Leadfree products are RoHS compliant.



**National Semiconductor**  
Americas Customer  
Support Center  
Email: [new.feedback@nsc.com](mailto:new.feedback@nsc.com)  
Tel: 1-800-272-9959

[www.national.com](http://www.national.com)

**National Semiconductor**  
Europe Customer Support Center  
Fax: +49 (0) 180-530 85 86  
Email: [europe.support@nsc.com](mailto:europe.support@nsc.com)  
Deutsch Tel: +49 (0) 69 9508 6208  
English Tel: +44 (0) 870 24 0 2171  
Français Tel: +33 (0) 1 41 91 8790

**National Semiconductor**  
Asia Pacific Customer  
Support Center  
Email: [ap.support@nsc.com](mailto:ap.support@nsc.com)

**National Semiconductor**  
Japan Customer Support Center  
Fax: 81-3-5639-7507  
Email: [jpn.feedback@nsc.com](mailto:jpn.feedback@nsc.com)  
Tel: 81-3-5639-7560