

ATLANTIC VERSION TERMINATOR INTERFACE ADAPTER	PART NUMBER	REVISION	DESCRIPTION	FEED TYPE	CONVERT TO	PART NUMBERS REQUIRED					
	2150525-1	A	FINE CRIMP HEIGHT ADJUST	MECHANICAL	PNEUMATIC FEED	2119950-1	2119792-2	-	2119641-1	-	2063440-1
					SERVO LATCH PLATE	2119951-1	1901697-1	8-2150525-5	-	-	2168400-7 (QUANTITY 2)
					SMART APPLICATOR	2161326-1	-	8-2150525-4	-	-	-
	2150525-2	A	FINE CRIMP HEIGHT ADJUST	PNEUMATIC	MECHANICAL FEED	2119949-1	2063961-1	5-18022-5	2119653-1	-	-
					SERVO LATCH PLATE	2119951-1	1901697-1	8-2150525-5	-	-	2168400-7 (QUANTITY 2)
					SMART APPLICATOR	2161326-1	-	8-2150525-4	-	-	-
	2150525-5	A	FINE CRIMP HEIGHT ADJUST	SERVO LATCH PLATE ⁴	MECHANICAL FEED	2119949-1	2063961-1	5-18022-5	2119653-1	-	-
				PNEUMATIC FEED	2119950-1	2119792-2	-	2119641-1	-	2063440-1	
2150525-6	A	NON-CRIMP HEIGHT ADJUST	SERVO LATCH PLATE ⁴	-	-	-	-	-	-	-	
2150525-7	A	FINE CRIMP HEIGHT ADJUST	NONE	-	-	-	-	-	-	-	
7-2150525-7	A	CRIMP TOOLING KIT	-	-	-	-	-	-	-	-	

APPLICATOR DATA		
CRIMP	SIZE	TYPE
WIRE	2.97 mm [.117]	F
INSUL	4.00 mm [.157]	F
APPL INSTRUCTIONS 408-10390		

TERMINAL DATA: ESCUBEDO TERMINAL ESCUBEDO CRIMP SPECIFICATION			
TERMINAL NAME: HEMBRA SERIE 6.3			
WIRE STRIP LENGTH		INSULATION DIAMETER RANGE	
4.50-5.50 mm [.177-.217 IN]		Ø3.00-4.30 mm [.118-.169 IN]	
TERMINAL APPLICATION SPECIFICATION	(A)4422 Rev 1	-	-
	(B)4327 Rev 1	-	-
TERMINALS APPLIED			
TE TERMINAL	ESCUBEDO TERMINAL	TE TERMINAL	ESCUBEDO TERMINAL
(A) 1572582-1	(A) 4422.00	(B) 1572582-7	(B) 4422.24
(A) 1572582-2	(A) 4422.02	(B) 1572582-8	(B) 4422.03
(A) 1572582-3	(A) 4422.10	(B) 1572582-9	(B) 4327.00
(A) 1572582-4	(A) 4422.12	(B) 1-1572582-0	(B) 4327.02
(A) 1572582-5	(A) 4422.30	(B) 1-1572572-1	(B) 4327.30
(A) 1572582-6	(A) 4422.32	(B) 1-1572582-2	(B) 4327.32

WIRE SIZE	CRIMP HEIGHT mm [INCH]	CRIMP HEIGHT REFERENCE SETTING
2.50mm2	1.90+/-0.03 [.075+/- .001]	4.4
2.00mm2	1.80+/-0.03 [.071+/- .001]	5.4
1.50mm2	1.70+/-0.03 [.067+/- .001]	6.4
1.00mm2	1.55+/-0.03 [.061+/- .001]	8.1

- RECOMMENDED SPARE PARTS
- GREASE BEARING SURFACES LIGHTLY
- 3. LUBRICATE DAILY PER THE APPLICATOR INSTRUCTION SHEET SUPPLIED WITH THE APPLICATOR.
- APPLICATOR SPECIFIC DATA TO BE ENTERED INTO BLANK MEMORY CHIP AT ASSEMBLY. SEE BELOW FOR PART NUMBER:
 MECHANICAL FEED WITH "SMART APPLICATOR" CONVERSION: 8-2150525-4
 PNEUMATIC FEED WITH "SMART APPLICATOR" CONVERSION: 8-2150525-4
 SERVO FEED WITH "FINE CRIMP HEIGHT ADJUST": 8-2150525-5
 SERVO FEED WITH "NON-CRIMP HEIGHT ADJUST": 8-2150525-6
- 5. ADJUSTMENT OF THE STRIPPER MAY BE REQUIRED WHEN MOVING THE APPLICATOR BETWEEN BENCH AND LEADMAKER APPLICATIONS.
- APPLY PART NUMBER 1-23419-5 LOCTITE TO THREADS OF ITEMS 62 & 180. APPLY PART NUMBER 2-23419-6 LOCTITE TO THREADS OF ITEM 242. FOR -6 ONLY APPLY PART NUMBER 1-23419-5 LOCTITE TO THREADS OF ITEMS 37 & 180.
- GREASE THREADS, GROOVE AND O-RING ON ITEMS 35 & 252.
- MAGNET, ITEM 166 MUST BE ORIENTED CORRECTLY IN ORDER TO PROPERLY ACTUATE THE COUNTER.
- CRIMP HEIGHT REFERENCE SETTING WAS THE SETTING USED WHEN THE APPLICATOR WAS QUALIFIED AT THE FACTORY. ADJUSTMENT MAY BE NECESSARY WHEN RUNNING APPLICATOR IN THE FIELD.
- SPARE FEED CAM STORAGE LOCATION REFER TO INSTRUCTION SHEET FOR ADDITIONAL INFORMATION.
- THE RECOMMENDED SET-UP FOR END FEED APPLICATORS IS POST-FEED WITH ITEM 2119653-1. THE APPLICATOR CAN BE CONFIGURED FOR PRE-FEED WITH ITEM 2119652-1 BUT MAY ENCOUNTER PROBLEMS WITH SOME APPLICATIONS. FEED ISSUES OR TERMINAL JAMMING MAY OCCUR IN THE PRE-FEED CONFIGURATION.
- WHEN ASSEMBLING -6 NON-CRIMP HEIGHT ADJUST APPLICATOR USE SHIM PACK 2119957-2 TO ALIGN APPLICATOR'S MAXIMUM WIRE CRIMP HEIGHT AT NORMAL TERMINATOR SHUT HEIGHT

***WARNING**
 ON INSTALLATION, SET WIRE DISC, ITEM 40 TO LARGEST WIRE SIZE SETTING. USE OF SETTINGS BELOW MINIMUM REQUIRED CRIMP HEIGHT SETTING WILL CAUSE DAMAGE TO CRIMP TOOLING.

-	-	1	-	-	-	2119957-2	APPLICATOR SHIM PACK	260
-	1	-	1	1	1	8-21084-0	O-RING, .676 ID, .070 DIA. MAT.	252
-	-	-	1	-	-	2119640-1	PUSH ROD, AIR FEED	250
-	-	-	-	1	-	2079988-1	BUSHING, LCH5-12, MISUMI	249
-	-	-	-	1	-	2119641-1	FEED CAM, AIR FEED	248
-	1	-	1	1	1	2119798-1	DETENT PIN	247
-	1	-	1	1	1	1-22279-3	SPRING, COMPRESSION	246
-	-	1	-	-	-	2119759-1	RAM, AMP STYLE, END FEED, NON-ADJUST	245
-	1	1	1	1	1	2119082-2	CAM, SNAIL, INSULATION ADJUSTMENT	244
-	1	1	1	1	1	2079764-1	WASHER, WAVE SPRING, CREST-TO-CREST	243
-	1	1	1	1	1	2119083-1	RETAINER, INSULATION DIAL	242
-77	-7	-6	-5	-2	-1	PART NO	DESCRIPTION	ITEM NO

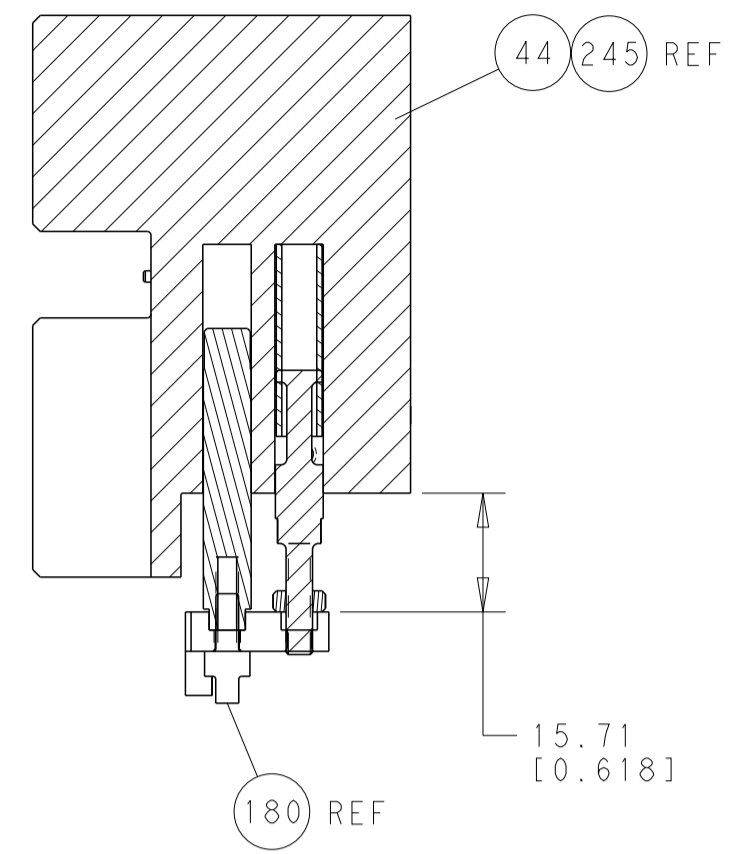
ATLANTIC VERSION
 Shown on sheets 1 of 4 & 2 of 4
 (Pacific version shown on sheets 3 of 4 & 4 of 4)

SET UP GAUGE	LOC	DIST	REVISIONS			
2119599-2	A	66	REV	DATE	BY	APPD
			A	RELEASED	17FEB2015	RK GB

-	-	2	2	-	-	2168400-7	SHCS, LOW HEAD, RoHS, M5 X 10	240
-	-	-	-	-	1	2119580-1	MECHANICAL FEED ASSEMBLY	239
-	-	-	-	-	1	2063440-1	AIR FEED MODULE	238
-	-	1	1	-	-	2119740-2	TAG, IDENTIFICATION	213
-	-	REFREF	-	-	-	1901697-1	FEED FINGER ASSEMBLY, EF	183
-	1	1	1	1	1	1-1976055-2	STANDOFF, HOLD-DOWN	180
-	1	1	1	1	1	6-993111-6	PIN, SLOTTED SPRING 3.0 X 14.0	177
-	1	1	1	1	1	8-22280-7	SPRING, COMPRESSION	176
-	1	1	1	1	1	1752353-2	GUIDE PIN, HOLDDOWN	175
-	1	1	1	1	1	1901680-2	GUIDE PIN, HOLDDOWN	174
-	-	-	-	2	-	21045-3	RING, RETAIN, EXTERN, 3/16 CRESCENT	172
-	1	1	1	1	1	994969-1	MAGNET, RARE EARTH HIGH ENERGY	166
-	REFREF	REFREF	REFREF	REFREF	REFREF	994970-2	COUNTER, MAGNETIC	164
-	-	-	-	-	1	240638-1	SPRING, FEED FINGER	163
-	-	-	-	-	1	3-23627-7	PIN, RETAIN, GRVD, 3/16 X .854	137
-	-	REFREF	-	-	-	SEE NOTE 4	MEMORY CHIP, PROGRAMMED	135
-	-	1	1	-	-	1633743-1	SERVO FEED LATCH ASM	133
-	1	1	1	1	1	455888-6	SPACER, CRIMPER	82
-	1	1	1	1	1	2119791-9	DEPRESSOR, WIRE	73
-	1	1	1	1	1	2119956-2	DOCUMENTATION PACKAGE	71
-	2	2	2	2	2	2-18032-2	SCR, SET, FLT POINT M3 X 10.0	70
-	1	1	1	1	1	2119943-1	WASHER, SPACER	69
-	1	-	-	-	1	2119740-1	TAG, IDENTIFICATION	67
-	2	2	2	2	2	2168078-1	SCREW, DRIVE, RH, RoHS, 2 x .188	66
-	1	1	1	1	1	1901681-4	HOLDDOWN, TERMINAL	65
-	2	2	2	2	2	2168400-5	SHCS, LOW HEAD, RoHS, M4 X 20	64
-	1	-	-	-	1	2119793-1	LIMITER, ADJUSTMENT BOLT	63
-	3	-	3	3	3	992763-5	SCR, SET, SOC, CONE POINT, M3 X 4.0	62
-	1	1	1	1	1	2079383-4	SCR, BHSC, RoHS (M4 X 8)	60
-	-	-	-	-	1	5-18022-5	SCR, HEX HD CAP, M4 X 6.0	59
-	-	-	-	-	1	2063961-1	FEED FINGER	58
-	3	3	3	3	3	2168400-4	SHCS, LOW HEAD, RoHS, M4 X 8	57
-	2	2	2	2	2	1-2168083-0	SCR, SKT HD CAP, RoHS, M4 X 10	56
-	2	2	2	2	2	5018030-2	NUT, HEX, REG, RoHS, M4	55
-	2	2	2	2	2	5018030-1	NUT, HEX, REG, RoHS, M3	54
-	2	2	2	2	2	986965-8	NUT, LOCK, HEX, TORQUE (M4)	53
-	1	1	1	1	1	1-5018030-0	NUT, HEX, REG, RoHS, M3.5	52
-	-	-	-	-	1	2119792-2	PAWL, EF, AIR	51
-	-	-	-	-	1	18023-9	SCR, SKT HD CAP M4 X 6.0	49
-	-	-	-	-	1	2119652-1	FEED CAM, PRE FEED	48
-	-	-	-	-	1	2119653-1	FEED CAM, POST FEED	47
-	1	1	1	1	1	2119655-5	APPLICATOR BASIC ASSEMBLY, EF	46
-	1	-	-	-	1	2119369-1	RAM, AMP STYLE, END FEED	44
-	1	1	1	1	1	2079383-7	SCR, BHSC, RoHS (M8 X 25)	41
-	1	-	-	-	1	2119645-1	DISC, NUMBERED FA WIRE ADJUSTMENT	40
-	1	-	-	-	1	2119957-1	APPLICATOR SHIM PACK	39
-	1	1	1	1	1	1-2119644-2	RAM WASHER, PRECISION	38
-	1	1	1	1	1	2119085-1	FA HEAD, ATLANTIC STYLE	37
-	1	-	-	-	1	2119092-1	BOLT, ADJUSTMENT	35
-	7	7	7	7	7	1-18028-2	WASHER, FLAT, REG M4	33
-	2	2	2	2	2	2168083-9	SCR, SKT HD CAP, RoHS, M4 X 20	31
-	2	2	2	2	2	1-2168083-0	SCR, SKT HD CAP, RoHS, M4 X 10	29
-	1	1	1	1	1	240639-1	STRIPPER (MACHINING)	27
-	2	2	2	2	2	1320906-1	STUD, THREADED	25
-	1	1	1	1	1	1752371-3	PLATE, STRIP GUIDE	24
-	1	1	1	1	1	240825-2	PLATE, STRIP HOLD DOWN	23
-	2	2	2	2	2	2-22281-3	SPRING, COMPRESSION	22
-	1	1	1	1	1	1752373-4	DRAG	20
-	2	2	2	2	2	1901259-5	GUIDE, LOWER STRIP	18
-	4	4	4	4	4	1-2079383-1	SCR, BHSC, RoHS (M6 X 12)	17
-	1	1	1	1	1	3-240641-6	SPACER	16
-	1	1	1	1	1	1752360-1	SPACER, HOLD-DOWN	13
-	1	1	1	1	1	240644-1	PLATE, REAR SHEAR	11
-	-	-	-	-	-	-	-	10
-	1	1	1	1	1	690482-3	PLATE, FRONT SHEAR	9
1	1	1	1	1	1	8-1633384-4	ANVIL, COMBINATION	8
-	1	1	1	1	1	1-2217206-3	BLADE, SLUG	7
-	-	-	-	-	-	-	-	6
-	1	1	1	1	1	240641-1	SPACER	5
-	1	1	1	1	1	3-238009-3	BLOCK, FL CRIMPER SPACER	4
1	1	1	1	1	1	5-1803017-7	CRIMPER, INSULATION F	3
-	1	1	1	1	1	455888-3	SPACER, CRIMPER	2
1	1	1	1	1	1	6-1633609-3	CRIMPER, WIRE	1
-77	-7	-6	-5	-2	-1	PART NO	DESCRIPTION	ITEM NO

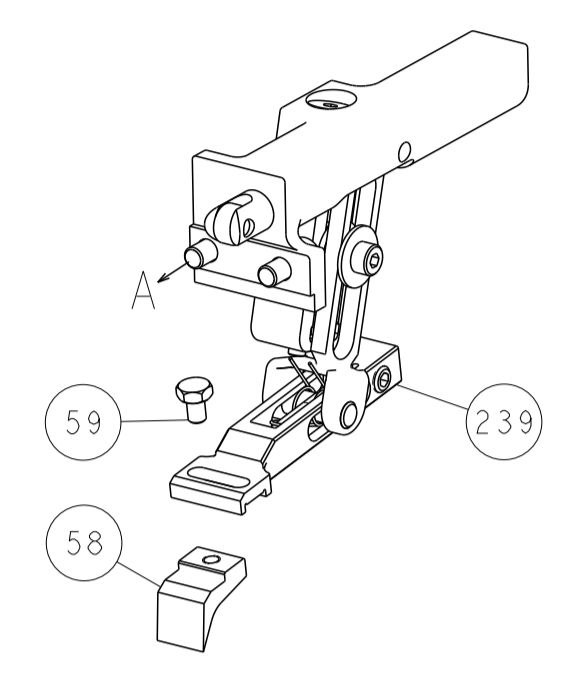
DIMENSIONS:	TOLERANCES UNLESS OTHERWISE SPECIFIED:	DATE	BY	CHK	APPD	NAME	SIZE	CAGE CODE	DRAWING NO	RESTRICTED TO
mm	0 PLC ±.05 1 PLC ±.05 2 PLC ±.05 3 PLC ±.05 4 PLC ±.05 ANGLES ±.0001 FINISH	16JAN2015	J. HOU	J. HOU	L. ZHANG	U. GUO	A1	00779	©=2150525	Customer Accessible Production Drawing
		16JAN2015								SCALE 1:1 SHEET 1 OF 4 REV A

LOC		DIST		REVISIONS			
A	66	P	LTM	DESCRIPTION	DATE	OWN	APVD
		-		SEE SHEET 1			

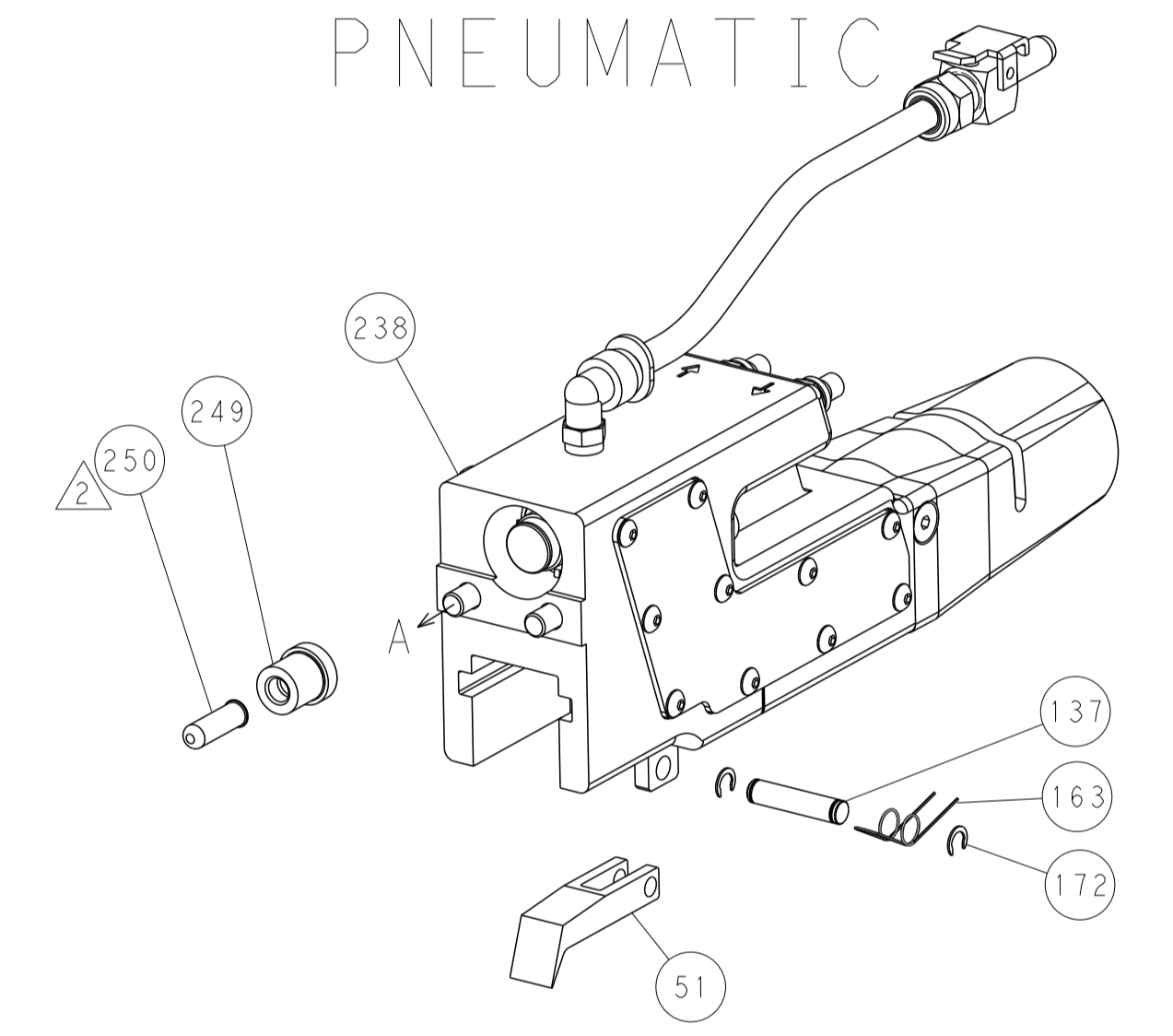


HOLDDOWN SET-UP

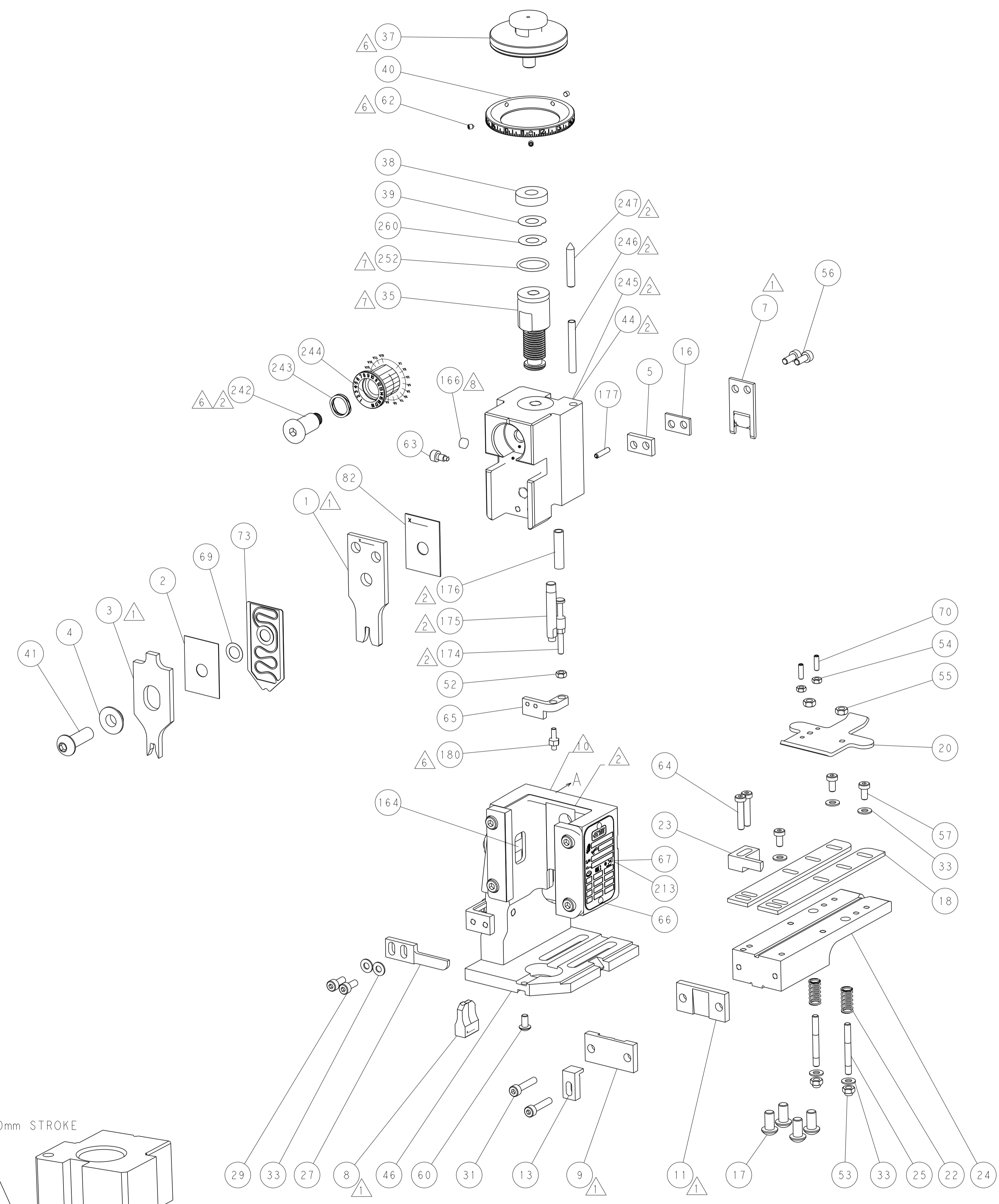
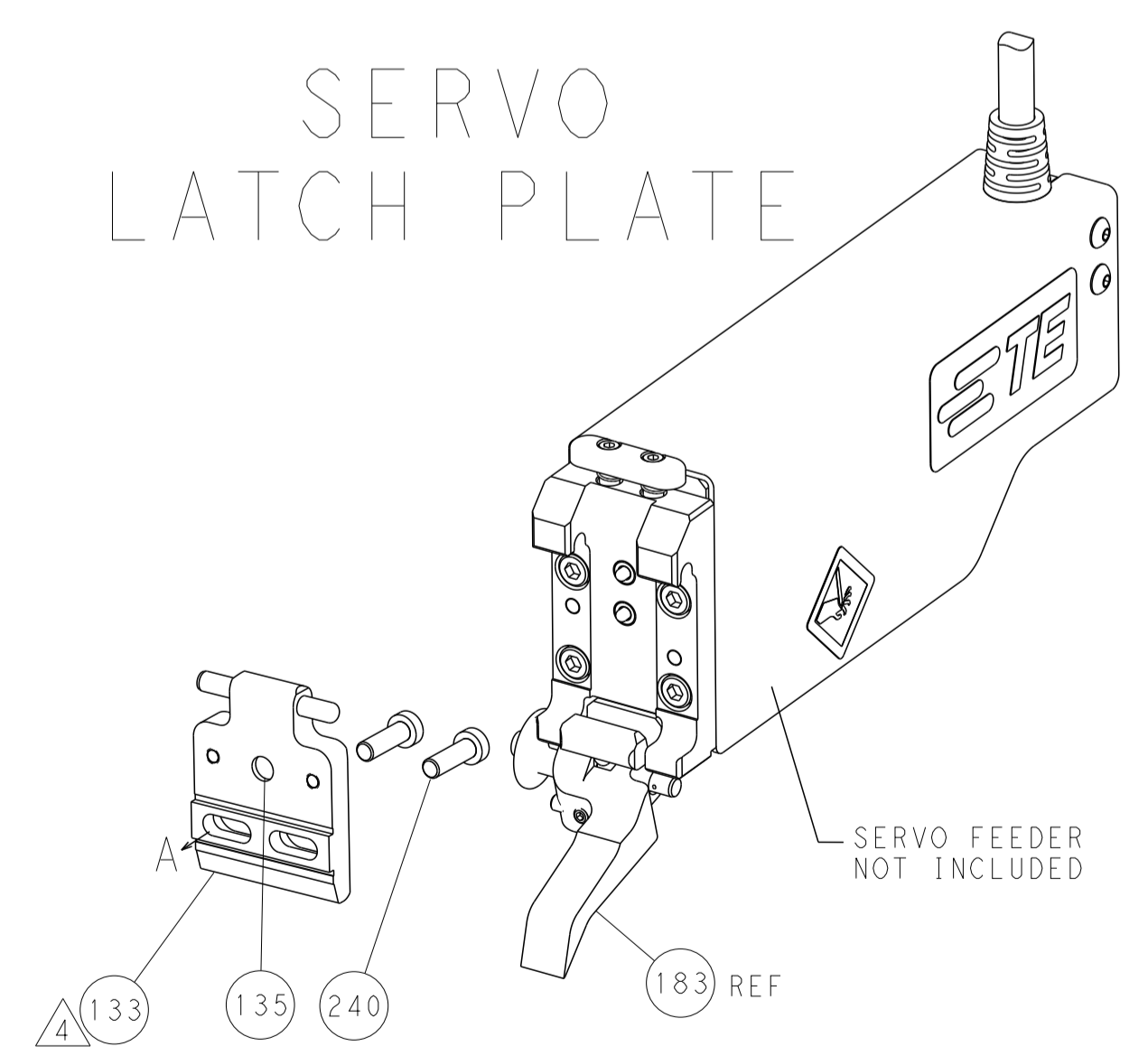
FEED TYPE
MECHANICAL



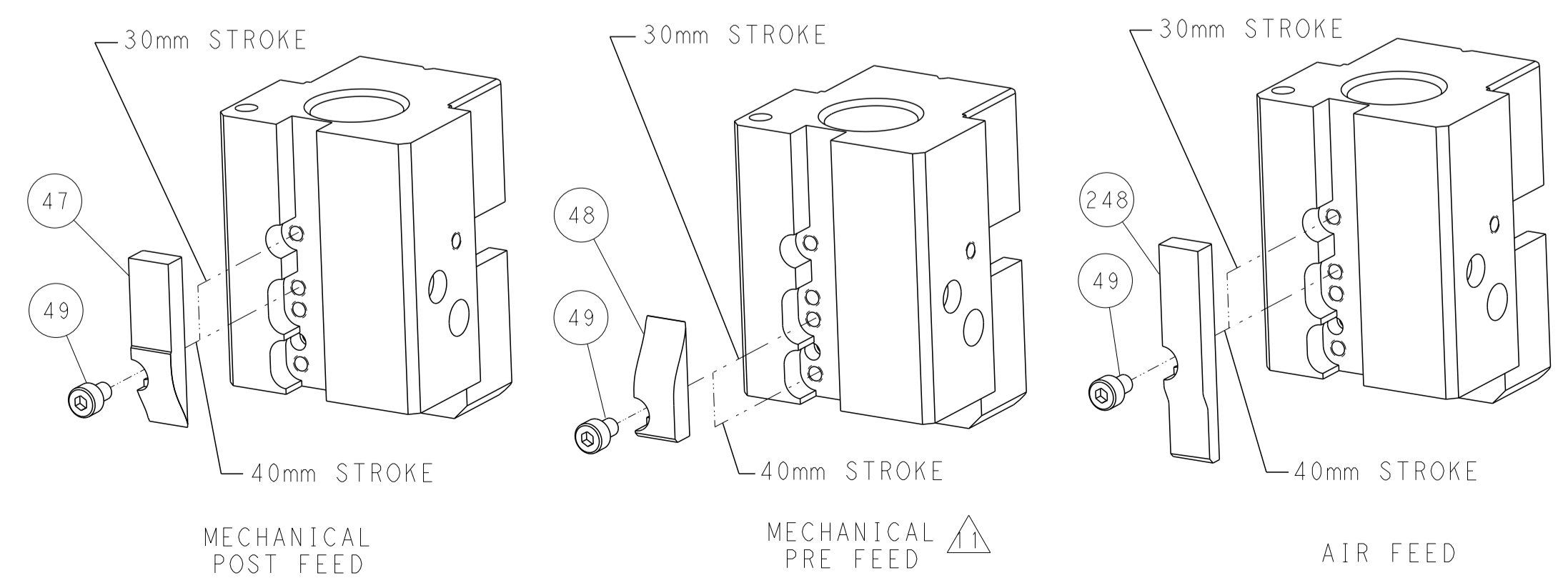
PNEUMATIC



SERVO
LATCH PLATE



CAM POSITIONS



ATLANTIC VERSION
 Shown on sheets 1 of 4 & 2 of 4
 (Pacific version shown on sheets 3 of 4 & 4 of 4)

DIMENSIONS: mm 		TOLERANCES UNLESS OTHERWISE SPECIFIED: 0 PLC ±.5 1 PLC ±0.5 2 PLC ±0.13 3 PLC ±0.013 4 PLC ±0.001 ANGLES ±.1 FINISH		DWG: J. HOU 16JAN2015 CHK: L. ZHANG 16JAN2015 APVD: H. GUO 16JAN2015		NAME: Ocean End Feed Applicator SIZE: A1 CAGE CODE: 00779 DRAWING NO: C-2150525		RESTRICTED TO: - SCALE: 1:1 SHEET: 2 OF 4 REV: A	
MATERIAL: -				WEIGHT: -		CUSTOMER ACCESSIBLE PRODUCTION DRAWING		SHEETS 3 & 4 ARE NOT REQUIRED FOR ATLANTIC VERSION	

PACIFIC VERSION TERMINATOR INTERFACE ADAPTER	PART NUMBER	REVISION	DESCRIPTION	FEED TYPE	APPLICATOR STYLE CONVERSION CHART						
					CONVERT TO	PART NUMBERS REQUIRED					
	2-2150525-1	A	FINE CRIMP HEIGHT ADJUST	MECHANICAL	PNEUMATIC FEED	2119950-1	2119792-2	-	2119641-2	-	2063440-1
					SERVO LATCH PLATE	2119951-1	1901697-1	8-2150525-5	-	-	2168400-7 (QUANTITY 2)
					SMART APPLICATOR	2161326-1	-	8-2150525-4	-	-	-
	2-2150525-2	A	FINE CRIMP HEIGHT ADJUST	PNEUMATIC	MECHANICAL FEED	2119949-1	2063961-1	5-18022-5	2119653-2	-	-
					SERVO LATCH PLATE	2119951-1	1901697-1	8-2150525-5	-	-	2168400-7 (QUANTITY 2)
					SMART APPLICATOR	2161326-1	-	8-2150525-4	-	-	-
	2-2150525-5	A	FINE CRIMP HEIGHT ADJUST	SERVO LATCH PLATE	MECHANICAL FEED	2119949-1	2063961-1	5-18022-5	2119653-2	-	-
					PNEUMATIC FEED	2119950-1	2119792-2	-	2119641-2	-	2063440-1
	2-2150525-7	A	FINE CRIMP HEIGHT ADJUST	NONE	-	-	-	-	-	-	-
	7-2150525-7	A	CRIMP TOOLING KIT	-	-	-	-	-	-	-	-

APPLICATOR DATA		
CRIMP	SIZE	TYPE
WIRE	2.97 mm (.117)	F
INSUL	4.00 mm (.157)	F
APPL INSTRUCTIONS 408-10390		

TERMINAL DATA: ESCUBEDO TERMINA/ESCUBEDO CRIMP SPECIFICATION	
TERMINAL NAME: HEMBRA SERIE 6.3	
WIRE STRIP LENGTH 4.50-5.50 mm (.177-.217 IN)	INSULATION DIAMETER RANGE Ø3.00-4.30 mm (.118-.169 IN)
TERMINAL APPLICATION SPECIFICATION (A)4422 Rev 1 (B)4327 Rev 1	-

TE TERMINAL	ESCUBEDO TERMINAL	TE TERMINAL	ESCUBEDO TERMINAL
(A) 1572582-1	(A) 4422.00	(B) 1572582-7	(B) 4422.24
(A) 1572582-2	(A) 4422.02	(B) 1572582-8	(B) 4422.03
(A) 1572582-3	(A) 4422.10	(B) 1572582-9	(B) 4327.00
(A) 1572582-4	(A) 4422.12	(B) 1-1572582-0	(B) 4327.02
(A) 1572582-5	(A) 4422.30	(B) 1-1572572-1	(B) 4327.30
(A) 1572582-6	(A) 4422.32	(B) 1-1572582-2	(B) 4327.32

WIRE SIZE	CRIMP HEIGHT mm [INCH]	CRIMP HEIGHT REFERENCE SETTING
2.50mm2	1.90 +/- 0.03 [.075 +/- .001]	4.4
2.00mm2	1.80 +/- 0.03 [.071 +/- .001]	5.4
1.50mm2	1.70 +/- 0.03 [.067 +/- .001]	6.4
1.00mm2	1.55 +/- 0.03 [.061 +/- .001]	8.1

- RECOMMENDED SPARE PARTS
- GREASE BEARING SURFACES LIGHTLY
- LUBRICATE DAILY PER THE APPLICATOR INSTRUCTION SHEET SUPPLIED WITH THE APPLICATOR.
- APPLICATOR SPECIFIC DATA TO BE ENTERED INTO BLANK MEMORY CHIP AT ASSEMBLY. SEE BELOW FOR PART NUMBER:
 MECHANICAL FEED WITH "SMART APPLICATOR" CONVERSION: 8-2150525-4
 PNEUMATIC FEED WITH "SMART APPLICATOR" CONVERSION: 8-2150525-4
 SERVO FEED WITH "FINE CRIMP HEIGHT ADJUST": 8-2150525-5
- ADJUSTMENT OF THE STRIPPER MAY BE REQUIRED WHEN MOVING THE APPLICATOR BETWEEN BENCH AND LEADMAKER APPLICATIONS.
- APPLY PART NUMBER 1-23419-5 LOCTITE TO THREADS OF ITEMS 62 & 180. APPLY PART NUMBER 2-23419-6 LOCTITE TO THREADS OF ITEM 242.
- GREASE THREADS, GROOVE AND O-RING ON ITEMS 139 & 153.
- MAGNET, ITEM 166 MUST BE ORIENTED CORRECTLY IN ORDER TO PROPERLY ACTUATE THE COUNTER.
- CRIMP HEIGHT REFERENCE SETTING WAS THE SETTING USED WHEN THE APPLICATOR WAS QUALIFIED AT THE FACTORY. ADJUSTMENT MAY BE NECESSARY WHEN RUNNING APPLICATOR IN THE FIELD.
- SPARE FEED CAM STORAGE LOCATION REFER TO INSTRUCTION SHEET FOR ADDITIONAL INFORMATION.
- THE RECOMMENDED SET-UP FOR END FEED APPLICATORS IS POST-FEED WITH ITEM 2119653-1. THE APPLICATOR CAN BE CONFIGURED FOR PRE-FEED WITH ITEM 2119652-1 BUT MAY ENCOUNTER PROBLEMS WITH SOME APPLICATIONS. FEED ISSUES OR TERMINAL JAMMING MAY OCCUR IN THE PRE-FEED CONFIGURATION.

***WARNING**
 ON INSTALLATION, SET WIRE DISC, ITEM 40 TO LARGEST WIRE SIZE SETTING. USE OF SETTINGS BELOW MINIMUM REQUIRED CRIMP HEIGHT SETTING WILL CAUSE DAMAGE TO CRIMP TOOLING.

ITEM NO	DESCRIPTION	ITEM NO
- 1 1 1 1	2119782-1 FINE ADJUST HEAD ASM, PACIFIC STYLE	251
- - - 1 -	2119640-1 PUSH ROD, AIR FEED	250
- - - 1 -	2079988-1 BUSHING, LCH5-12, MISUMI	249
- 1 1 1 1	1-22279-3 SPRING, COMPRESSION	246
- 1 1 1 1	2119082-2 CAM, SNAIL, INSULATION ADJUSTMENT	244
- 1 1 1 1	2079764-1 WASHER, WAVE SPRING, CREST-TO-CREST	243
- 1 1 1 1	2119083-1 RETAINER, INSULATION DIAL	242
- - 2 - -	2168400-7 SHCS, LOW HEAD, RoHS, M5 X 10	240
- - - - 1	2119580-1 MECHANICAL FEED ASSEMBLY	239
-77-27-25-22-21	PART NO	DESCRIPTION

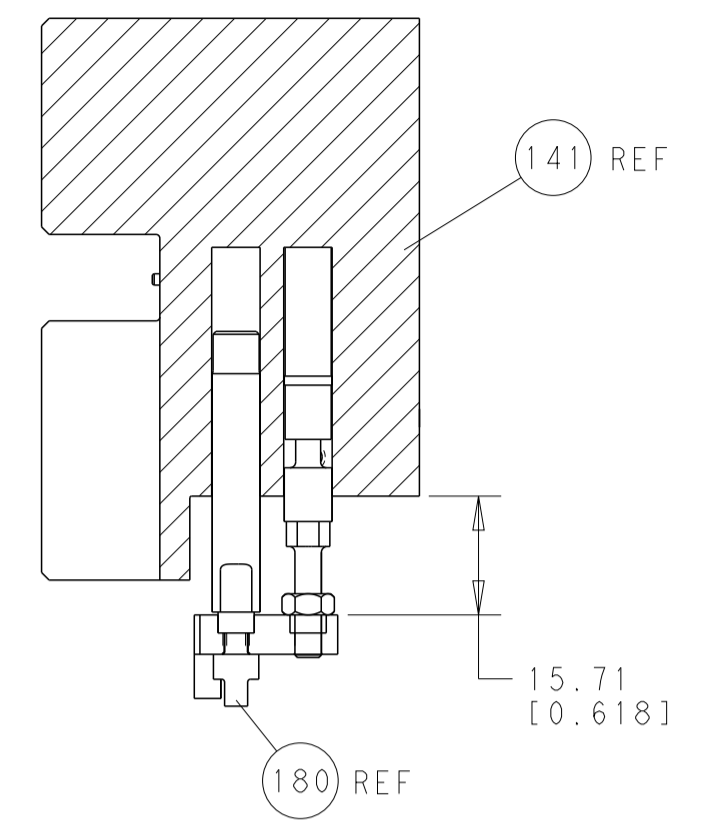
PACIFIC VERSION
 Shown on sheets 3 of 4 & 4 of 4
 (Atlantic version shown on sheets 1 of 4 & 2 of 4)

SET UP GAUGE	LOC	DIST	REVISIONS			
2119599-2	A	66	REV	DATE	BY	APPV
-	-	-	1	-	-	-
-	-	-	4	4	4	-
-	-	-	REF	-	-	-

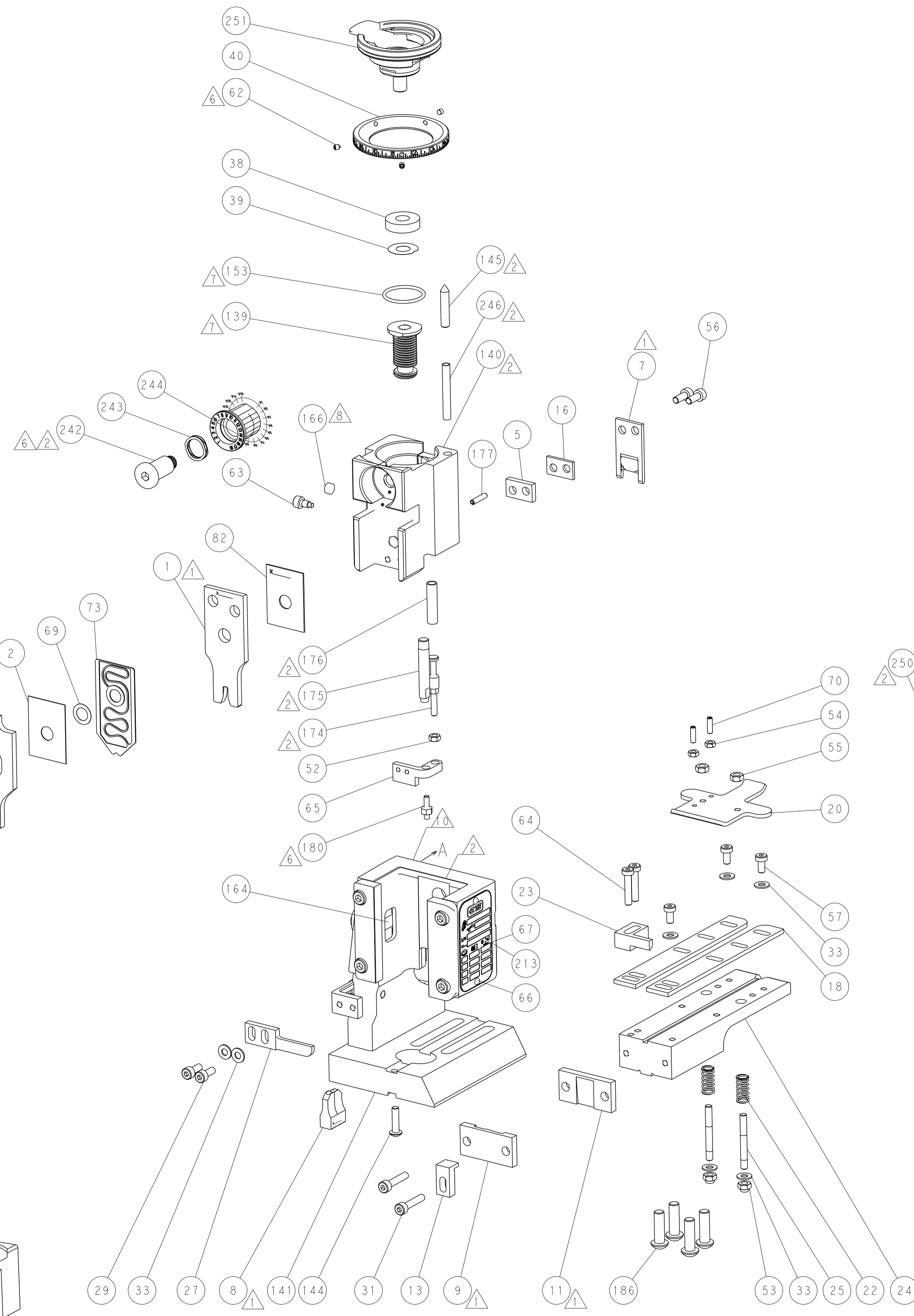
REV	DATE	BY	APPV	DESCRIPTION	DATE	BY	APPV
-	-	-	-	2063440-1 AIR FEED MODULE	-	-	238
-	-	-	-	2119740-2 TAG, IDENTIFICATION	-	-	213
-	4	4	4	2079383-9 SCR, BHSC, RoHS (M6 X 20)	-	-	186
-	-	-	-	1901697-1 FEED FINGER ASSEMBLY, EF	-	-	183
-	1	1	1	1-1976055-2 STANDOFF, HOLD-DOWN	-	-	180
-	1	1	1	6-993111-6 PIN, SLOTTED SPRING 3.0 X 14.0	-	-	177
-	1	1	1	8-22280-7 SPRING, COMPRESSION	-	-	176
-	1	1	1	1752353-2 GUIDE PIN, HOLDDOWN	-	-	175
-	1	1	1	1901680-2 GUIDE PIN, HOLDDOWN	-	-	174
-	-	-	-	21045-3 RING, RETAIN, EXTERN, 3/16 CRESCENT	-	-	172
-	1	1	1	994969-1 MAGNET, RARE EARTH HIGH ENERGY	-	-	166
-	REF	REF	REF	994970-2 COUNTER, MAGNETIC	-	-	164
-	-	-	-	240638-1 SPRING, FEED FINGER	-	-	163
-	1	1	1	8-21084-1 O-RING, .801 ID, .070 DIA. MAT.	-	-	153
-	-	-	-	2119641-2 FEED CAM, AIR FEED	-	-	152
-	1	1	1	2119798-2 DETENT PIN	-	-	145
-	1	1	1	2079383-8 SCR, BHSC, RoHS (M4 X 16)	-	-	144
-	-	-	-	2119653-2 FEED CAM, POST FEED	-	-	142
-	1	1	1	2119655-6 APPLICATOR BASIC ASSEMBLY, EF	-	-	141
-	1	1	1	2119651-1 RAM, ASIAN STYLE, END FEED	-	-	140
-	1	1	1	2119092-2 BOLT, ADJUSTMENT	-	-	139
-	-	-	-	3-23627-7 PIN, RETAIN, GRVD, 3/16 X .854	-	-	137
-	REF	REF	REF	SEE NOTE 4 MEMORY CHIP, PROGRAMMED	-	-	135
-	-	-	-	1633743-1 SERVO FEED LATCH ASM	-	-	133
-	1	1	1	455888-6 SPACER, CRIMPER	-	-	82
-	1	1	1	2119791-9 DEPRESSOR, WIRE	-	-	73
-	1	1	1	2119956-2 DOCUMENTATION PACKAGE	-	-	71
-	2	2	2	2-18032-2 SCR, SET, FLT POINT M3 X 10.0	-	-	70
-	1	1	1	2119943-1 WASHER, SPACER	-	-	69
-	1	-	-	2119740-1 TAG, IDENTIFICATION	-	-	67
-	2	2	2	2168078-1 SCREW, DRIVE, RH, RoHS, 2 x .188	-	-	66
-	1	1	1	1901681-4 HOLDDOWN, TERMINAL	-	-	65
-	2	2	2	2168400-5 SHCS, LOW HEAD, RoHS, M4 X 20	-	-	64
-	1	1	1	2119793-1 LIMITER, ADJUSTMENT BOLT	-	-	63
-	3	3	3	992763-5 SCR, SET, SOC, CONE POINT, M3 x 4.0	-	-	62
-	-	-	-	5-18022-5 SCR, HEX HD CAP, M4 X 6.0	-	-	59
-	-	-	-	2063961-1 FEED FINGER	-	-	58
-	3	3	3	2168400-4 SHCS, LOW HEAD, RoHS, M4 X 8	-	-	57
-	2	2	2	1-2168083-0 SCR, SKT HD CAP, RoHS, M4 X 10	-	-	56
-	2	2	2	5018030-2 NUT, HEX, REG, RoHS, M4	-	-	55
-	2	2	2	5018030-1 NUT, HEX, REG, RoHS, M3	-	-	54
-	2	2	2	986965-8 NUT, LOCK, HEX, TORQUE (M4)	-	-	53
-	1	1	1	1-5018030-0 NUT, HEX, REG, RoHS, M3.5	-	-	52
-	-	-	-	2119792-2 PAWL, EF, AIR	-	-	51
-	-	-	-	18023-9 SCR, SKT HD CAP M4 X 6.0	-	-	49
-	-	-	-	2119652-1 FEED CAM, PRE FEED	-	-	48
-	1	1	1	2079383-7 SCR, BHSC, RoHS (M8 X 25)	-	-	41
-	1	1	1	2119645-1 DISC, NUMBERED FA WIRE ADJUSTMENT	-	-	40
-	1	1	1	2119957-1 APPLICATOR SHIM PACK	-	-	39
-	1	1	1	1-2119644-2 RAM WASHER, PRECISION	-	-	38
-	7	7	7	1-18028-2 WASHER, FLAT, REG M4	-	-	33
-	2	2	2	2168083-9 SCR, SKT HD CAP, RoHS, M4 X 20	-	-	31
-	2	2	2	1-2168083-0 SCR, SKT HD CAP, RoHS, M4 X 10	-	-	29
-	1	1	1	240639-1 STRIPPER (MACHINING)	-	-	27
-	2	2	2	1320906-1 STUD, THREADED	-	-	25
-	1	1	1	1752371-3 PLATE, STRIP GUIDE	-	-	24
-	1	1	1	240825-2 PLATE, STRIP HOLD DOWN	-	-	23
-	2	2	2	2-22281-3 SPRING, COMPRESSION	-	-	22
-	1	1	1	1752373-4 DRAG	-	-	20
-	2	2	2	1901259-5 GUIDE, LOWER STRIP	-	-	18
-	1	1	1	3-240641-6 SPACER	-	-	16
-	1	1	1	1752360-1 SPACER, HOLD-DOWN	-	-	13
-	1	1	1	240644-1 PLATE, REAR SHEAR	-	-	11
-	-	-	-	-	-	-	10
-	1	1	1	690482-3 PLATE, FRONT SHEAR	-	-	9
-	1	1	1	8-1633384-4 ANVIL, COMBINATION	-	-	8
-	1	1	1	1-2217206-3 BLADE, SLUG	-	-	7
-	-	-	-	-	-	-	6
-	1	1	1	240641-1 SPACER	-	-	5
-	1	1	1	3-238009-3 BLOCK, FL CRIMPER SPACER	-	-	4
-	1	1	1	5-1803017-7 CRIMPER, INSULATION F	-	-	3
-	1	1	1	455888-3 SPACER, CRIMPER	-	-	2
-	1	1	1	6-1633609-3 CRIMPER, WIRE	-	-	1
-77-27-25-22-21	PART NO	DESCRIPTION	ITEM NO				

DIMENSIONS: mm		TOLERANCES UNLESS OTHERWISE SPECIFIED:		DWG: J. HOU 16JAN2015		CHK: L. ZHANG 16JAN2015		NAME: TE Connectivity Harrisburg, PA 17105-3608	
0 PLC ±.5		1 PLC ±.5		APVD: W. GUO 16JAN2015		PRODUCT SPEC		SIZE: A	
2 PLC ±.13		3 PLC ±.13		APPLICATION SPEC		CAGE CODE: 00779		DRAWING NO: C=2150525	
4 PLC ±.013		5 PLC ±.0001		WEIGHT		SCALE: 1:1		SHEET 3 OF 4	
ANGLES ±.0001		FINISH		RESTRICTED TO		Customer Accessible Production Drawing		REV: A	

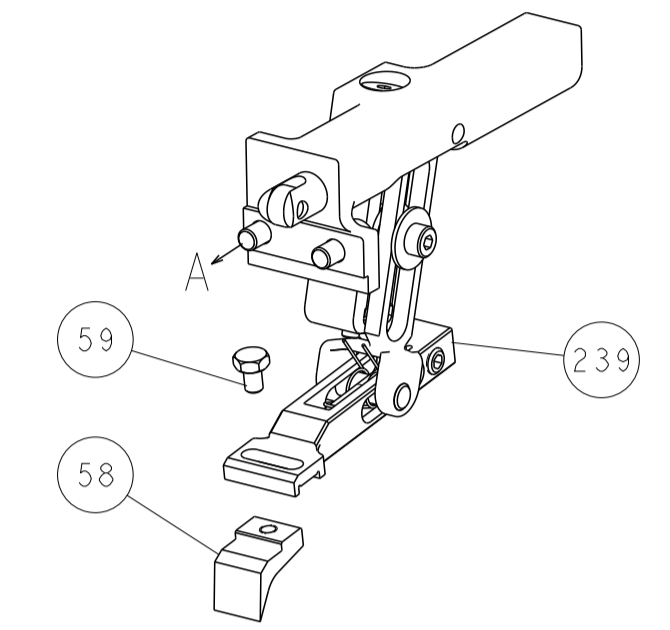
LOC		DIST		REVISONS			
A	66	P	LTN	DESCRIPTION	DATE	OWN	APVD
		-		SEE SHEET 1			



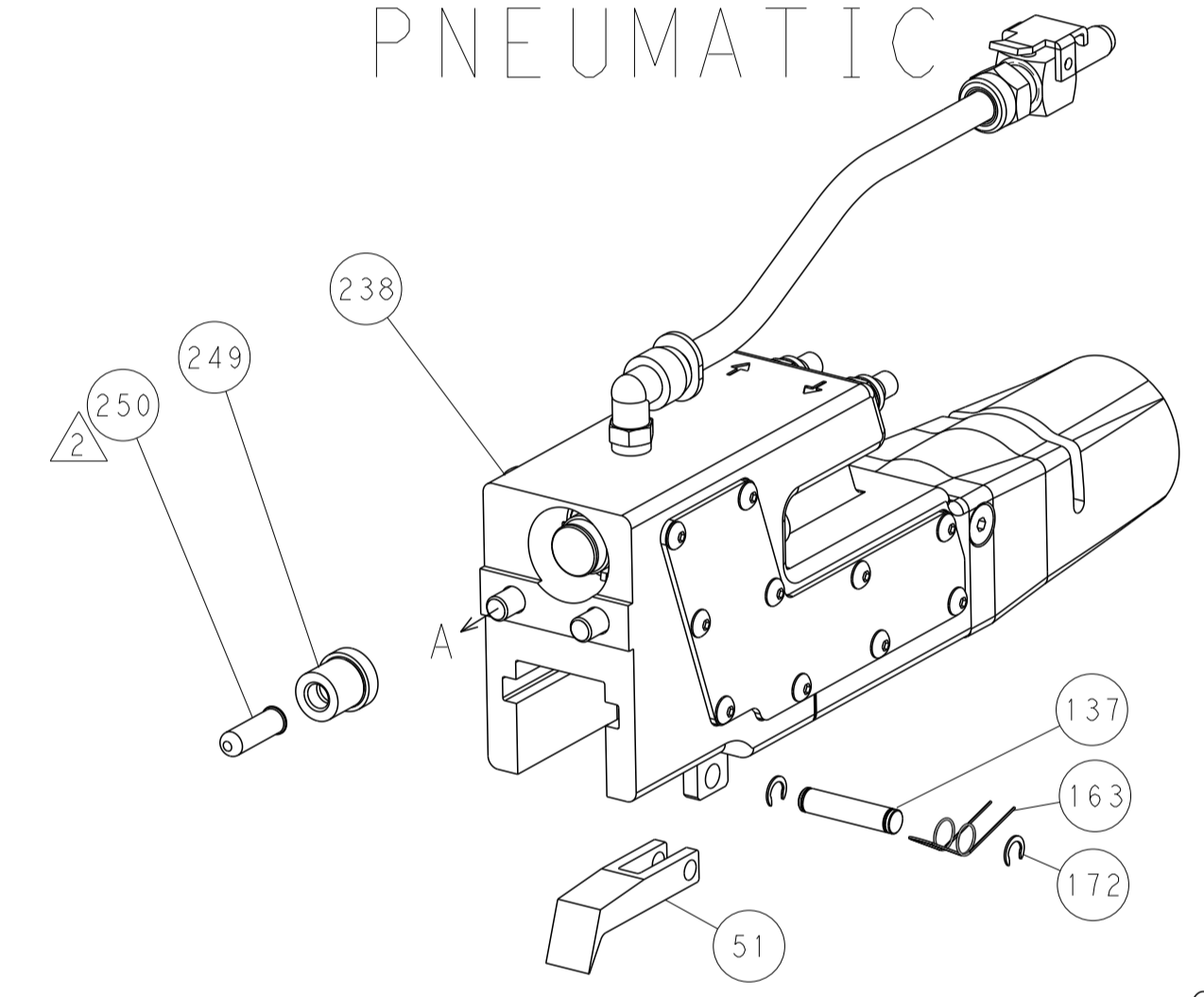
HOLDDOWN SET-UP



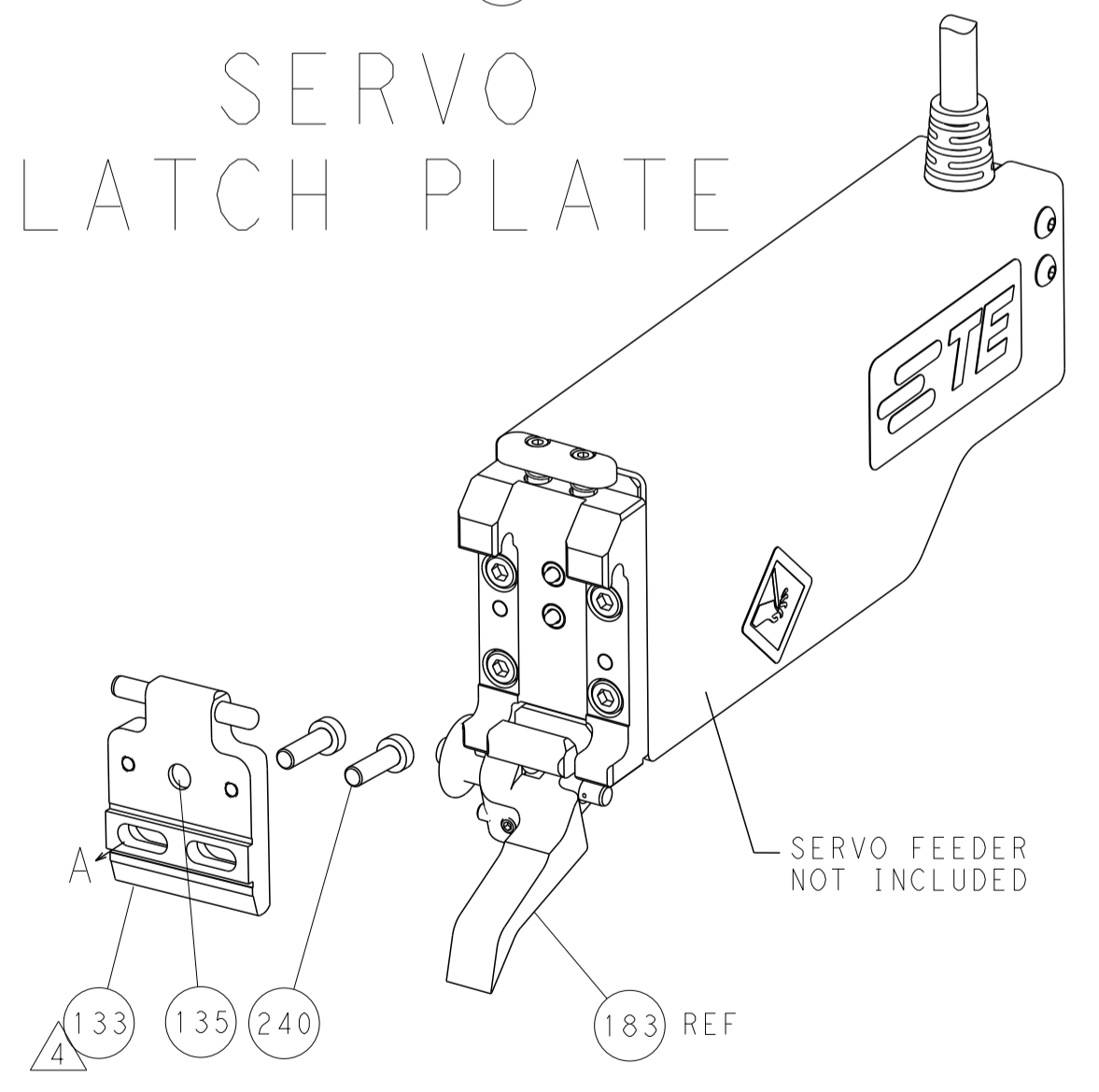
FEED TYPE
MECHANICAL



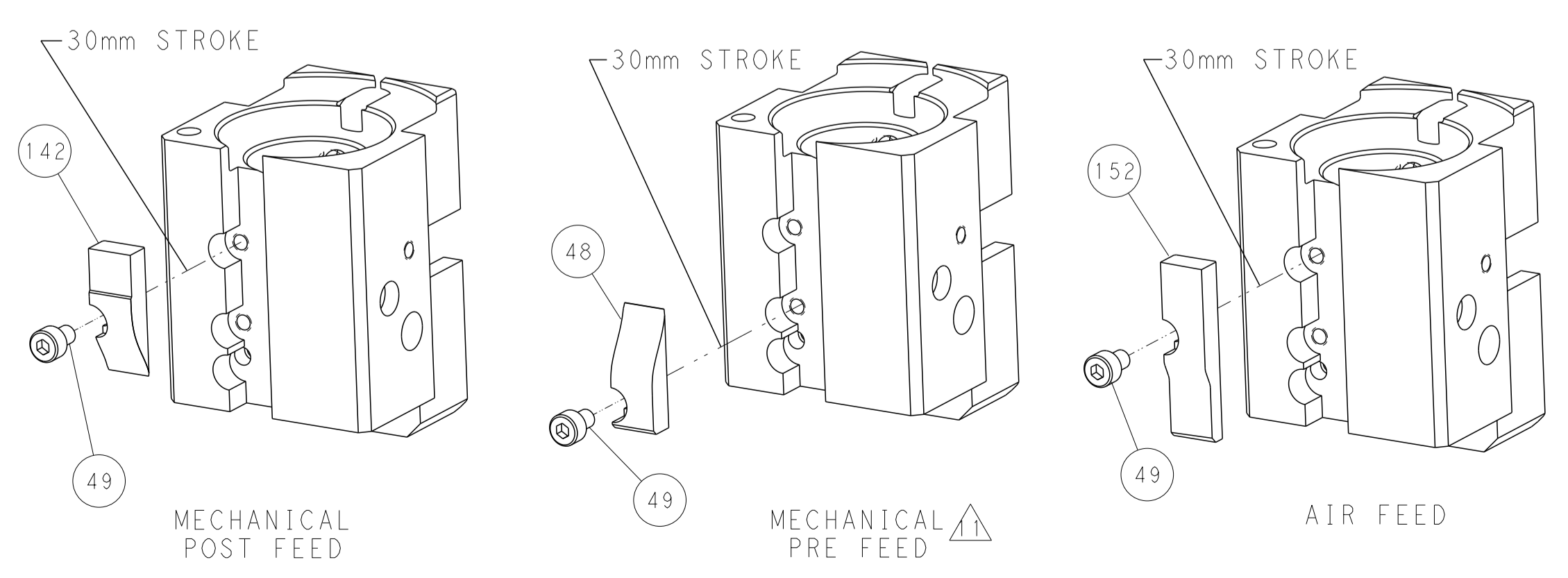
PNEUMATIC



SERVO
LATCH PLATE



CAM POSITIONS



PACIFIC VERSION
 Shown on sheets 3 of 4 & 4 of 4
 (Atlantic version shown on sheets 1 of 4 & 2 of 4)

<small>THIS DRAWING IS UNPUBLISHED. RELEASED FOR PUBLICATION. 20 COPYRIGHT 20 BY TYCO ELECTRONICS CORPORATION. ALL RIGHTS RESERVED.</small>		DWN: J. HOU 16 JAN 2015 CHK: L. ZHANG 16 JAN 2015 APVD: H. GUO 16 JAN 2015	TE Connectivity Harrisburg, PA 17105-3608
DIMENSIONS: mm 0 PLC ±0.5 1 PLC ±0.13 2 PLC ±0.13 3 PLC ±0.013 4 PLC ±0.001 ANGLES FINISH	TOLERANCES UNLESS OTHERWISE SPECIFIED: ±0.5 ±0.13 ±0.013 ±0.001	NAME: Ocean End Feed Applicator PRODUCT SPEC: APPLICATION SPEC: WEIGHT: SCALE: 1:1	SIZE: A1 CAGE CODE: 00779 DRAWING NO: C-2150525 SHEET 4 OF 4 REV A