

**PLEASE CHECK WWW.MOLEX.COM FOR LATEST PART INFORMATION**

**Part Number:** **0502257312**  
**Status:** **Active**  
**Description:** Ring Tongue Terminal for 14-16 AWG, Closed Uninsulated Brazed Barrel, Stud Size 10 (M5), Oxygen-Free Copper, Length 16.70mm (.657")

**Documents:**

[Drawing \(PDF\)](#) [Product Specification PS-50224-002 \(PDF\)](#)  
[Product Specification PS-50224-001 \(PDF\)](#) [RoHS Certificate of Compliance \(PDF\)](#)

**Agency Certification**

UL E134962

**General**

Product Family Ring and Spade Terminals  
 Series 50225  
 Crimp Quality Equipment Yes  
 Mil-Spec N/A  
 Product Name R (Ring)  
 Type Ring

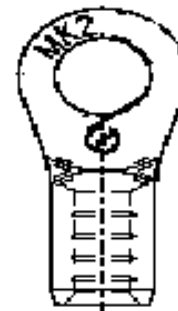
**Physical**

Barrel Type Closed - Brazed  
 Insulation None  
 Material - Plating Mating Tin  
 Packaging Type Bag  
 Plating min: Mating (µin) 40  
 Plating min: Mating (µm) 1  
 Plating min: Termination (µin) 40  
 Plating min: Termination (µm) 1  
 Stud Size 10 (M5)  
 Termination Interface: Style Crimp or Compression  
 Wire Size AWG 14, 16  
 Wire Size mm<sup>2</sup> 1.04 - 2.63

**Material Info**

**Reference - Drawing Numbers**

Product Specification PS-50224-001, PS-50224-002  
 Sales Drawing SD-50225-001



Series

image - Reference only

**EU RoHS**

**ELV and RoHS Compliant**  
**REACH SVHC**  
 Not Reviewed  
**Halogen-Free Status**  
**Not Reviewed**

**China RoHS**



**Need more information on product environmental compliance?**

Email [productcompliance@molex.com](mailto:productcompliance@molex.com)  
 For a multiple part number RoHS Certificate of Compliance, [click here](#)

Please visit the [Contact Us](#) section for any non-product compliance questions.

**Search Parts in this Series**

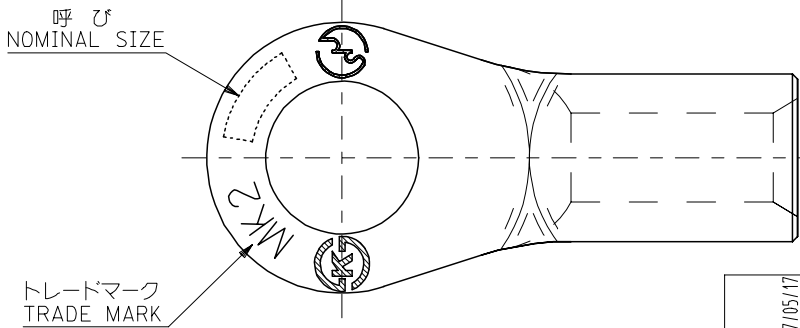
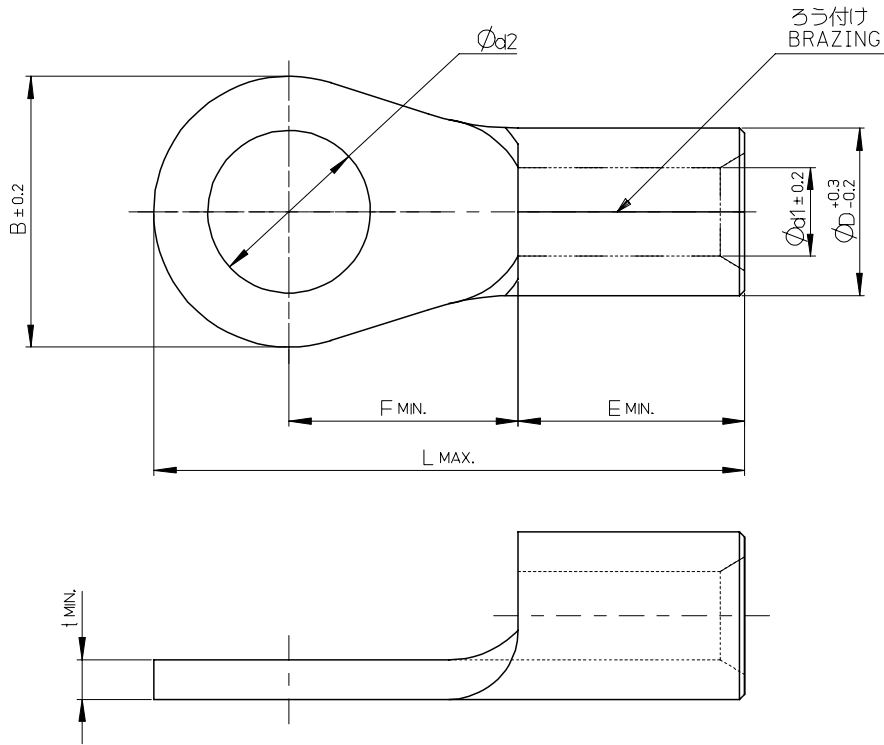
50225Series

**Application Tooling | [FAQ](#)**

*Tooling specifications and manuals are found by selecting the products below. Crimp Height Specifications are then contained in the Application Tooling Specification document.*

**Japan**

Description	Product #
Hand Crimper For JIS Terminal	<a href="#">0572575000</a>
Hand Crimper For JIS Terminal	<a href="#">0573435002</a>



注記 NOTES

- 材質 MATERIAL  
 端子：無酸素銅、錫めっき  
 TERMINAL: OXYGEN-FREE COPPER, TIN PLATING  
 ろう付け部：りん銅ろう  
 PART OF BRAZING : COPPER PHOSPHORUS BRAZING FILLER METALS
- 適用電線 APPLICABLE WIRE RANGE

単線 SOLID WIRE	撚線 STRANDED WIRE
1.14 ~ 1.82 mm	1.04 ~ 2.63 mm <sup>2</sup>

⚠ JIS認定品にのみ刻印。  
 DIE STAMPED MARK IS ALLOWED ONLY  
 FOR JIS FILED PRODUCTS.

JIS	0.8	6.4 <sup>+0.4</sup>	22	7	4.1	2.3	4.2	15	2	6	50225-7412
JIS		5.3 <sup>+0.2</sup>	17.5	7				9.5		5	50225-7312
JIS		4.3 <sup>+0.2</sup>	17	6				8.5		4	50225-7212
JIS		3.7 <sup>+0.2</sup>		4				6.6		3.5	50225-7112
⚠	t	$\phi d_2$	L	F	E	$\phi d_1$	$\phi D$	B	呼び NOMINAL SIZE	$\phi$	ENG. NO.

RELEASED EC NO: J2007-0312 DRW: H.YAJIMA 2007/05/17 CHK: K.KASAHARA 2007/05/18 APPR: NUKITA 2007/05/18	GENERAL TOLERANCES (UNLESS SPECIFIED)		DIMENSION STYLE MM ONLY		SCALE ---	DESIGN UNITS METRIC	THIRD ANGLE PROJECTION	
	10 UNDER	± 0.2	DRAWN BY H. YAJIMA	DATE 2006/10/25	TITLE RING TERMINAL			
	10 OVER 30 UNDER	± 0.25	CHECKED BY K. KASAHARA	DATE 2006/10/25	MATERIAL NO. SEE CHART			
	30 OVER	± 0.3	APPROVED BY N. UKITA	DATE 2006/10/25	DOCUMENT NO. SD-50225-001			
	ANGULAR	± 3 °	DRAFT WHERE APPLICABLE MUST REMAIN WITHIN DIMENSIONS		MATERIAL NO. SEE CHART		SHEET NO. 1 OF 1	