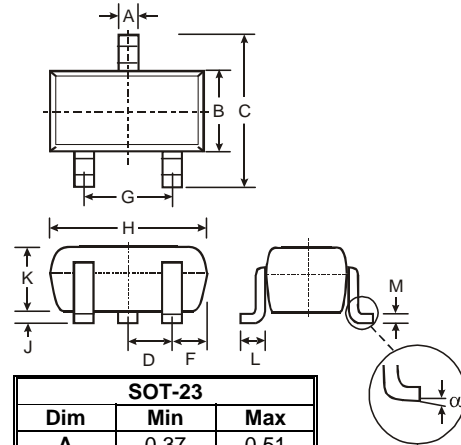


Features

- Low forward voltage
 $V_{F(3)}=0.92V(\text{typ})$.
- Fast switching.
- Fast reverse recovery time: $t_{rr}=1.6ns(\text{typ})$

Mechanical Data

- Case: SOT-23



SOT-23		
Dim	Min	Max
A	0.37	0.51
B	1.20	1.40
C	2.30	2.50
D	0.89	1.03
F	0.45	0.60
G	1.78	2.05
H	2.80	3.00
J	0.013	0.10
K	0.903	1.10
L	0.45	0.61
M	0.085	0.180
α	0°	8°
All Dimensions in mm		

Maximum Ratings and Electrical Characteristics @ $T_A = 25^\circ\text{C}$ unless otherwise specified

Characteristic	Symbol	Limits		Unit		
Non-Repetitive Peak Reverse Voltage	V_{RM}	85		V		
DC Reverse Voltage	V_R	80		V		
Forward Continuous Current(max)	I_{FM}	300		mA		
Forward Output current	I_o	100		mA		
Power Dissipation	P_d	150		mW		
Operating Junction Temperature Range	T_j	125		$^\circ\text{C}$		
Storage Temperature Range	T_{STG}	-55 to +125		$^\circ\text{C}$		
Characteristic	Symbol	Min	Typ	MAX	UNIT	Test Condition
Reverse Breakdown Voltage	$V_{(BR)R}$	80	-	-	V	$I_R=100\mu\text{A}$
Forward Voltage	V_F	-	0.61 0.74 0.92	- - 1.2	V	$I_F=1\text{mA}$ $I_F=10\text{mA}$ $I_F=100\text{mA}$
Reverse Leakage Current	I_R	-	-	0.1 0.5	μA	$V_R=30\text{V}$ $V_R=80\text{V}$
Junction Capacitance	C_j	-	2.2	4.0	pF	$V_R=0\text{V}, f=1.0\text{MHz}$
Reverse Recovery Time	t_{rr}	-	1.6	4.0	ns	$I_F=I_R=10\text{mA}, t_{rr}=0.1 \cdot I_R$

