

1000 Base-T MODULES ISOLATION TRANSFORMERS WITH FILTERS

- ① Designed for long haul Gigabit Ethernet 100/1000 Base-T.
- ② Provides the Cable Interface, Isolation & Common Mode Filtering.
- ③ Meet IEEE 802.3ab standard for 1000 Base-T
- ④ Supports 4 pairs of category 5 UTP cable.

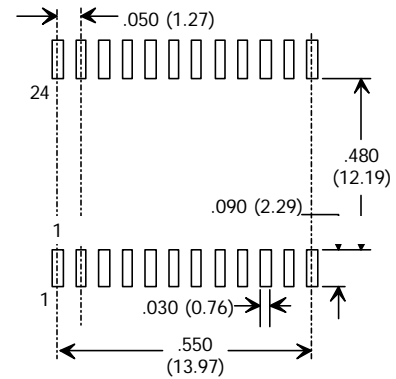
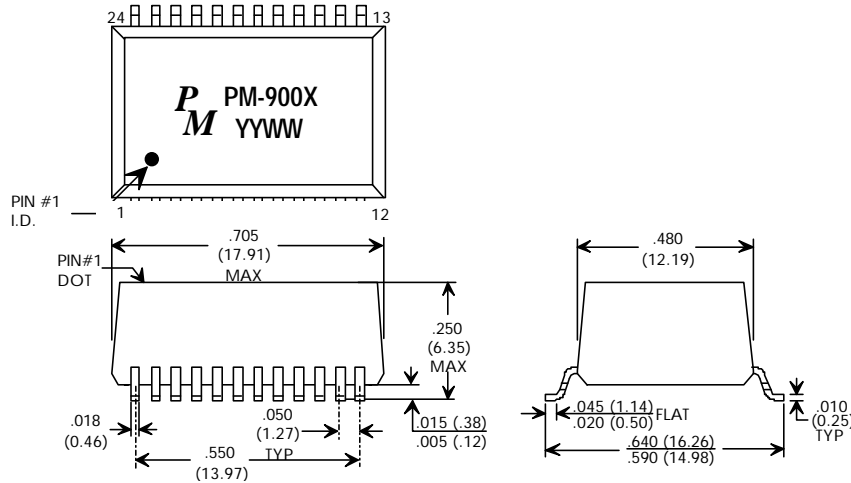
ELECTRICAL SPECIFICATIONS AT 25°C - OPERATING TEMPERATURE RANGE 0°C TO +70°C

PART NUMBER	INSERTION LOSS (dB Max) 1 to 100MHz	Return Loss (dB Typ)					Differential to Common Mode Rejection (dB Min)			Crosstalk (dB Min)			HI-POT (Vrms Min)
		1-30 MHz	40 MHz	50 MHz	60-80 MHz	100 MHz	30 MHz	50 MHz	100 MHz	30 MHz	60 MHz	100 MHz	
PM-9001	-1.0	-18	-14.4	-13.1	-12	-10	-43	-37	-33	-45	-40	-35	1500
PM-9002	-1.0	-18	-14.4	-13.1	-12	-10	-43	-37	-33	-45	-40	-35	1500

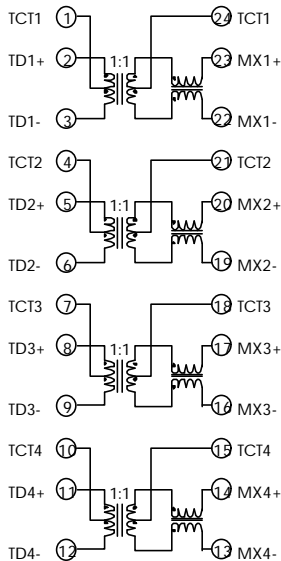
PM-900X MECHANICAL

All Dimensions in inches (mm)

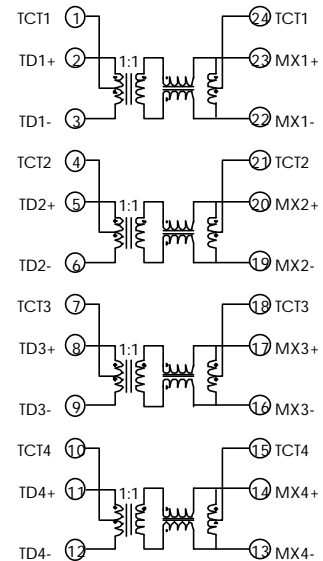
PCB LAYOUT



PM-9001 SCHEMATIC



PM-9002 SCHEMATIC



Specifications subject to change without notice.

pm-90xx 02/02

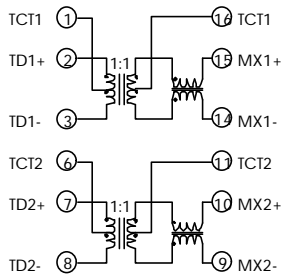
1000 Base-T MODULES ISOLATION TRANSFORMERS WITH FILTERS

- ① Designed for long haul Gigabit Ethernet 100/1000 Base-T.
- ② Provides the Cable Interface, Isolation & Common Mode Filtering.
- ③ Meet IEEE 802.3ab standard for 1000 Base-T
- ④ Supports 2 pairs of category 5 UTP cable.

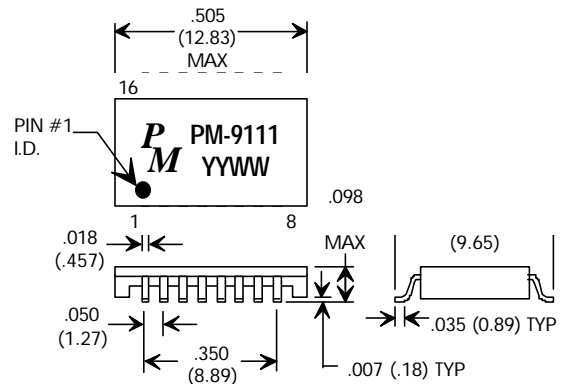
ELECTRICAL SPECIFICATIONS AT 25°C - OPERATING TEMPERATURE RANGE 0°C TO +70°C

PART NUMBER	INSERTION LOSS (dB Max) 1 to 100MHz	Return Loss (dB Typ)					Differential to Common Mode Rejection (dB Min)			Crosstalk (dB Min)			HI-POT (Vrms Min)
		1-30 MHz	40 MHz	50 MHz	60-80 MHz	100 MHz	30 MHz	50 MHz	100 MHz	30 MHz	60 MHz	100 MHz	
PM-9111	-1.0	-18	-14.4	-13.1	-12	-10	-43	-37	-33	-45	-40	-35	1500
PM-9112	-1.0	-18	-14.4	-13.1	-12	-10	-43	-37	-33	-45	-40	-35	1500

PM-9111 SCHEMATIC

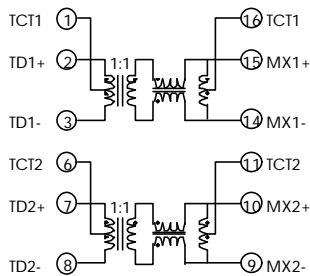


PM-9111 MECHANICAL

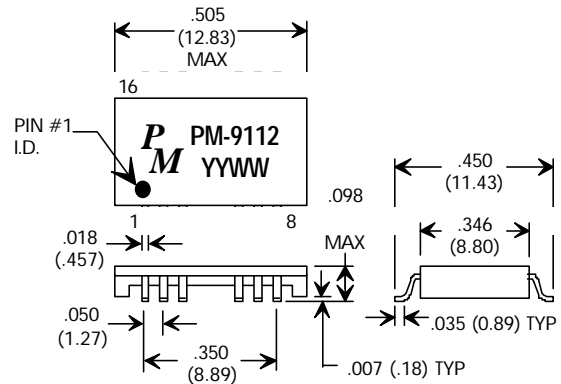


All Dimensions in inches (mm)

PM-9112 SCHEMATIC



PM-9112 MECHANICAL



All Dimensions in inches (mm)