



Description

The MK2732-06 is a low cost, low jitter, high performance VCXO and PLL clock synthesizer designed to replace expensive discrete VCXOs and multipliers. The on-chip Voltage Controlled Crystal Oscillator (VCXO) accepts a 0 to 3 V input voltage to cause the output clocks to vary by ± 100 ppm. Using ICS/MicroClock's patented VCXO and analog Phase-Locked Loop (PLL) techniques, the device uses an inexpensive 10 MHz to 14 MHz pullable crystal input to produce up to three output clocks.

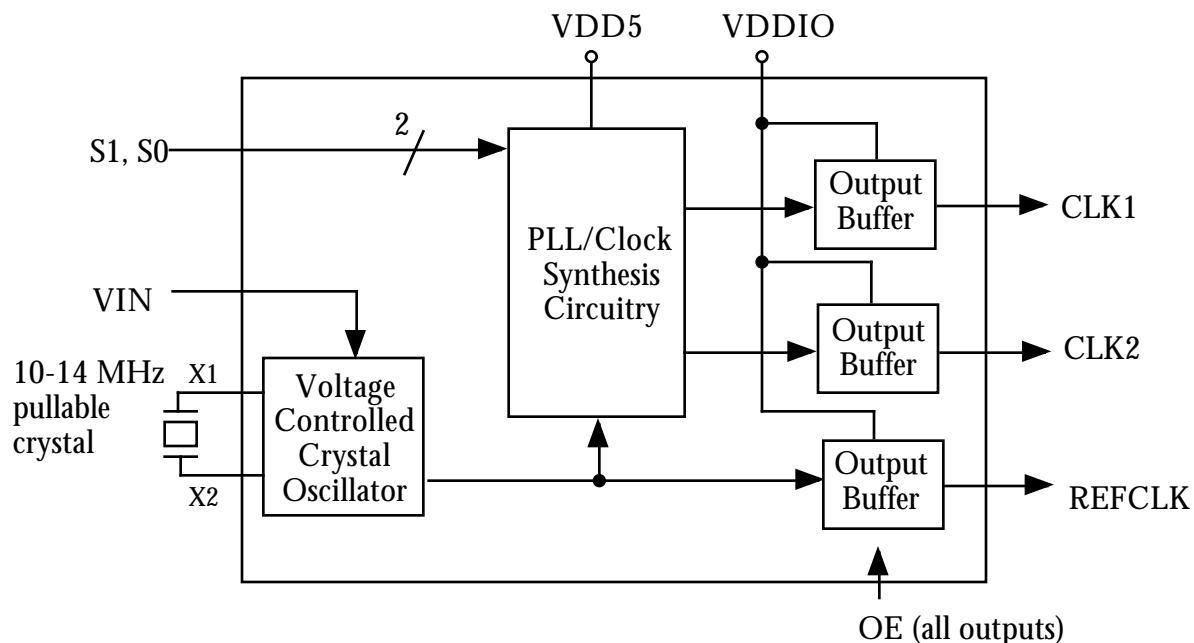
ICS manufactures the largest variety of clocks for Set-top boxes and Communications. Consult ICS to eliminate VCXOs, crystals, oscillators and buffers from your board.

Features



- Packaged in 16 pin TSSOP
- For xDSL chipsets
- For MPEG 2 decoders
- Replaces a VCXO and multiplier
- Uses an inexpensive pullable crystal
- On-chip patented VCXO with pull range of 200 ppm (± 100 ppm) minimum
- VCXO tuning voltage of 0 to 3 V
- Zero ppm synthesis error in all clocks
- Full CMOS output swings with 25 mA output drive capability at TTL levels
- Advanced, low power, sub-micron CMOS process
- 5 V operating voltage for core, ability to run output clocks at 3.3V or 5V for easy interface
- Available in commercial and industrial temperature versions

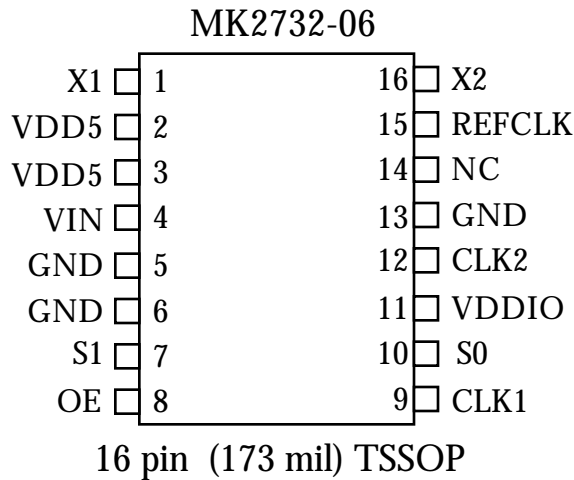
Block Diagram





Low Phase Noise VCXO+Multiplier

Pin Assignment



Clock Select Table

S1	S0	Input	CLK1	CLK2	Refclk
0	0	13.248	52.992	35.328	off
0	M	13.248	13.248	35.328	off
0	1	13.248	13.248	35.328	on
M	0	13.248	52.992	35.328	on
M	M	13.5	54	27	off
M	1	13.5	54	27	on
1	0	13.5	27	54	on
1	M	Test mode	-	-	-
1	1	13.5	27	27	on

0=connect directly to GND
M=leave unconnected (floating)
1=connect directly to VDDIO
off=output stopped low.

Pin Descriptions

Number	Name	Type	Description
1	X1	XI	Crystal connection. Connect to a pullable crystal of 10-14.318 MHz.
2, 3	VDD5	P	Core VDD. Connect to +5V.
4	VIN	VI	Voltage Input to VCXO. Zero to 3V signal which controls the frequency of the VCXO.
5, 6, 13	GND	P	Connect to ground.
7	S1	TI	Select input #1. Selects outputs per table above. Do not exceed VDDIO.
8	OE	I	Output Enable. Tri-states outputs when low. Do not exceed VDDIO.
9	CLK1	O	Clock Output #1 per table above. Amplitude = VDDIO.
10	S0	TI	Select input #0. Selects outputs per table above. Do not exceed VDDIO.
11	VDDIO	P	Input and output VDD. Connect to +3.3V or +5V. Clock amplitude matches this voltage.
12	CLK2	O	Clock Output #2 per table above. Amplitude = VDDIO.
14	NC	-	Nothing is connected internally to this pin.
15	REFCLK	O	Buffered crystal VCXO clock
16	X2	XO	Crystal connection. Connect to a pullable crystal of 10-14 MHz.

Key: I = Input; TI = tri-level input; O = output; P = power supply connection; VI = analog voltage input; XI, XO = crystal pins.

External Components

The MK2732-06 requires a minimum number of external components for proper operation. Decoupling capacitors of 0.01 μ F should be connected between VDD5 and GND on pins 3 and 5, and VDDIO and GND on pins 11 and 13, as close to the MK2732-06 as possible. A series termination resistor of 33 Ω may be used for each clock output. The input crystal must be connected as close to the chip as possible. The input crystal should be a fundamental mode, parallel resonant, pullable, AT cut. A crystal with 14 pF load capacitance is recommended. Consult ICS/MicroClock for recommended suppliers. **IMPORTANT** - consult the application note MAN05 for layout guidelines.



Electrical Specifications

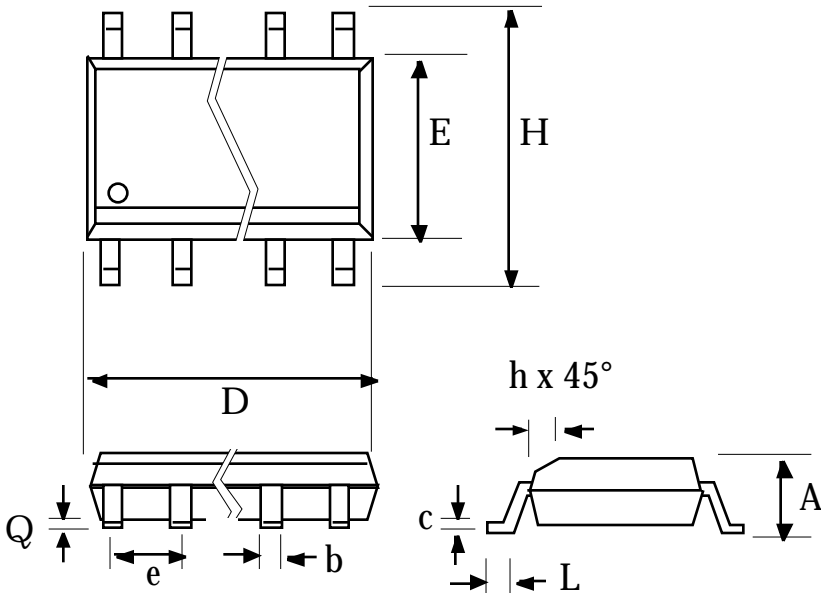
Parameter	Conditions	Minimum	Typical	Maximum	Units
ABSOLUTE MAXIMUM RATINGS (note 1)					
Supply voltage, VDD	Referenced to GND			7	V
Inputs and Clock Outputs	Referenced to GND	-0.5		VDD+0.5	V
Ambient Operating Temperature		0		70	C
Ambient Operating Temperature, MK2732-06GI	Industrial Temperature	-40		85	C
Soldering Temperature	Max of 10 seconds			260	C
Storage temperature		-65		150	C
DC CHARACTERISTICS (VDD5 = 5.0V, VDD3.3 = 3.3V unless noted)					
Core Operating Voltage, VDD5		4.75	5.0	5.25	V
I/O Operating Voltage, VDDIO		3.13	3.3	5.25	V
Input High Voltage, VIH, X1 pin only		3.5	2.5		V
Input Low Voltage, VIL, X1 pin only			2.5	1.5	V
Input High Voltage, VIH, binary input	OE	2			V
Input Low Voltage, VIL, binary input	OE			0.8	V
Input High Voltage, VIH, trinary inputs	S1, S0	VDD-0.5			V
Input Low Voltage, VIL, trinary inputs	S1, S0			0.5	V
Output High Voltage, VOH	IOH=-25mA	2.4			V
Output Low Voltage, VOL	IOL=25mA			0.4	V
Output High Voltage, VOH, CMOS level	IOH=-8mA	VDD-0.4			V
Operating Supply Current, IDD	No Load		23		mA
Operating Supply Current, IDDIO	No Load		5.8		mA
Short Circuit Current	Each output		±100		mA
Input Capacitance	S1, S0, OE		7		pF
Frequency synthesis error	All clocks			0	ppm
VIN, VCXO control voltage		0		3	V
AC CHARACTERISTICS (VDD5 = 5.0V, VDD3.3 = 3.3V unless noted)					
Input Crystal Frequency		10		14	MHz
Output Clock Rise Time	0.8 to 2.0V			1.5	ns
Output Clock Fall Time	2.0 to 0.8V			1.5	ns
Output Clock Duty Cycle	At VDDIO/2	40		60	%
Maximum Absolute Jitter, short term			±150		ps
Phase Noise, relative to carrier	10 kHz offset		-115		dBc/Hz
Output pullability, note 2	0V VIN 3V	±100			ppm

- Notes: 1. Stresses beyond those listed under Absolute Maximum Ratings could cause permanent damage to the device. Prolonged exposure to levels above the operating limits but below the Absolute Maximums may affect device reliability.
2. With an ICS/MicroClock approved pullable crystal.



Package Outline and Package Dimensions

16 pin TSSOP



Symbol	Millimeters	
	Min	Max
A	-	1.10
b	0.19	0.30
c	0.09	0.20
D	4.90	5.10
E	4.30	4.50
H	6.40 BSC	
e	0.65 BSC	
L	0.50	0.70
Q	0.05	0.15

Ordering Information

Part/Order Number	Marking	Shipping packaging		Temperature
MK2732-06G	ICS (top line)	tubes	16 pin TSSOP	0 to 70 °C
MK2732-06GTR	MK27326 (2nd line)	tape and reel	16 pin TSSOP	0 to 70 °C
MK2732-06GI	ICS (top line)	tubes	16 pin TSSOP	-40 to -85 °C
MK2732-06GITR	MK27326I (2nd line)	tape and reel	16 pin TSSOP	-40 to -85 °C

Revision history:

Version	Revision	Comments
A	031199	Original
B	040699	Corrected typo on package width from 73 to 173 mil. Added IDDIO, IDD, jitter. Changed 1M selection to Test Mode. Changed aspect ratio of pinout package. Changed features to show xDSL and MPEG.
C	120600	Added Industrial Temperature version of device (MK2732-06GI and MK2732-06GITR)

While the information presented herein has been checked for both accuracy and reliability, Integrated Circuit Systems, Incorporated (ICS) assumes no responsibility for either its use or for the infringement of any patents or other rights of third parties, which would result from its use. No other circuits, patents, or licenses are implied. This product is intended for use in normal commercial applications. Any other applications such as those requiring extended temperature range, high reliability, or other extraordinary environmental requirements are not recommended without additional processing by ICS. ICS reserves the right to change any circuitry or specifications without notice. ICS does not authorize or warrant any ICS product for use in life support devices or critical medical instruments.