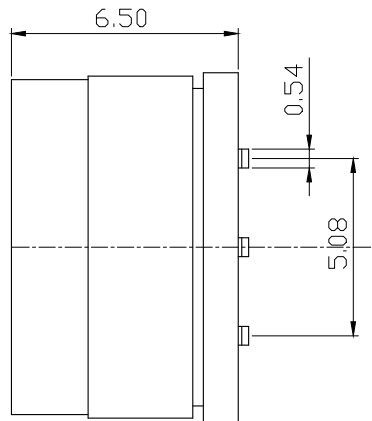
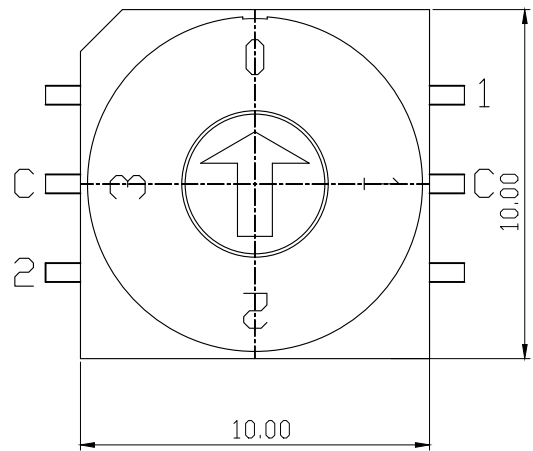
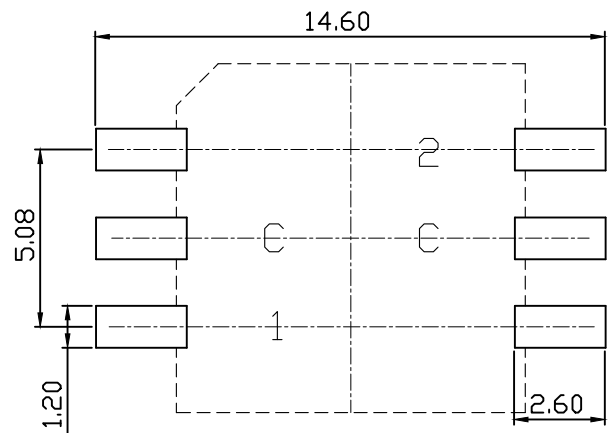
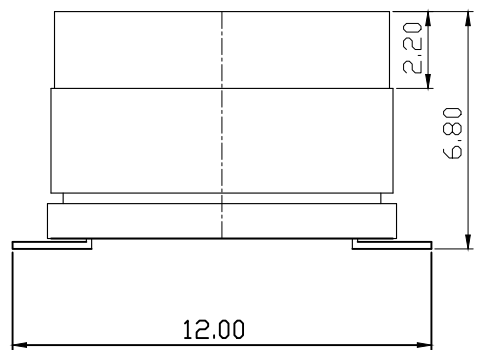


MARK	DATE	REMARKS
△		
△		



### SPECIFICATION

1. Rating : 150mA, 42V DC (Switching)  
200mA, 42V DC (None-Switching)
2. Contact Resistance : 80mΩ Max
3. Insulation Resistance : 100MΩ Min
4. Operating Force : 700gf Max
5. Life cycle : 10,000 steps



P.C.B DIMENSION

		Real Coded		
		C	1	2
04 P o s i t i o n	0	●		
	1	●	●	
	2	●		●
	3	●	●	●

APPD	CHKD	D'SGD	TITLE	ROTARY DIP SWITCH	
K.L LEE	J.P ROH	J.S SIN	MODEL NO.	TDR-04S	
			SUNGMUN ELECTRONICS CO., LTD.		
			REV	A	