

Distribution Unit for Screw-on Mounting with 1 IEC Appliance Inlet C14 and 1 -Connector F



C14



70° C

F



70° C

**Description**

- Panel Mount:

Screw-on mounting, from front side appliance inlet/-outlet, Pin temperature 70 °C Protection class I Solder terminals or quick connect terminals

**Approvals**

- UL License Number: E45115  
- CSA License Number: 1894886

**Technical Data**

Ratings IEC	10A / 250VAC; 50Hz
Ratings UL/CSA	15A / 250VAC; 60Hz
Dielectric Strength	> 3kVAC between L-N > 1.5kVAC between L/N-PE (1 min/50Hz)
Allowable Operation Temp.	-25 °C to 70 °C
Degree of Protection	from front side IP 20 acc. to IEC 60529
Protection Class	Suitable for appliances with protection class 1 acc. to IEC 61140
Terminal	Solder terminals or quick connect terminals Solder terminals or quick connect terminals
Material: Housing	UL 94V-0

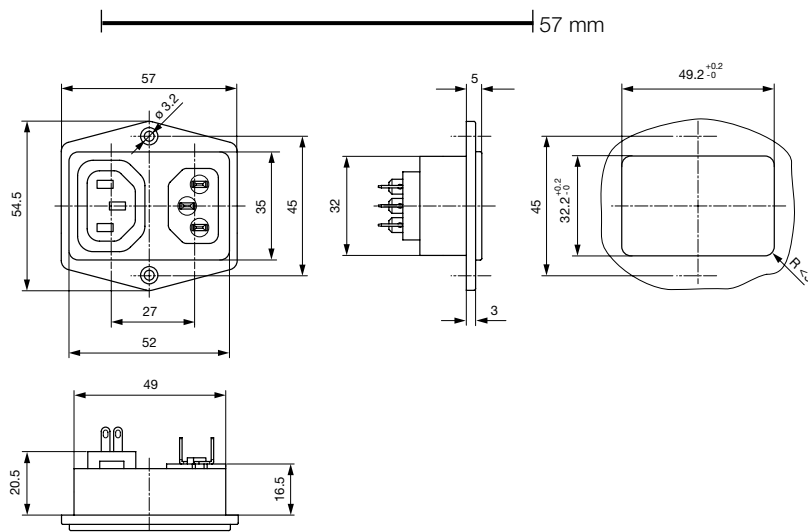
**References**

[General Product Information](#)

**Weblinks**

[Approvals, RoHS, CHINA-RoHS, Mating Connectors, e-Store, Distributor-Stock-Check, Accessories](#)

Appliance Inlet / Appliance Outlet	C14 acc. to IEC/EN 60320-1 F acc. to IEC/EN 60320-2-2 UL 498 CSA C22.2 no. 42 (for cold conditions) pin-temperature 70 °C, 10A, Protection Class 1
------------------------------------	--

**Dimensions**

length of the terminal please find at the order code configuration table

## Config. Code

Product Configurator

1051 - H - A B C 0 - D - E


The characters are placeholders for the correspondingly keys of selections from the key tables.

1051 - H - A B C 0 - D - E = Type

Type	Configuration key
protection class 1	X

1051 - H - A B C 0 - D - E = Terminals

Terminal L	Configuration key
short solder terminal (L=4,8mm)	2
long solder terminal (L=8,5mm)	3
blade terminal (4,8x0,8mm)	8
blade terminal (6,3x0,8mm)	9



1051 - H - A B C 0 - D - E = Terminals

Terminal N	Configuration key
short solder terminal (L=4,8mm)	2
long solder terminal (L=8,5mm)	3
blade terminal (4,8x0,8mm)	8
blade terminal (6,3x0,8mm)	9

Symbols similar as in table A

1051 - H - A B C 0 - D - E = Terminals

Terminal Ground	Configuration key
short solder terminal (L=4,8mm)	2
long solder terminal (L=8,5mm)	3
blade terminal (4,8x0,8mm)	8
blade terminal (6,3x0,8mm)	9

Symbols similar as in table A

1051 - H - A B C 0 - D - E = Color

Color	Configuration key
jet black; RAL9005	A
silver grey; RAL7001	B
pure white; RAL9010	D

standard color: black

1051 - H - A B C 0 - D - E = Style

Style	Configuration key
flange with countersunk holes	1
flange with through holes	2

## Variants

Config. Code	Description	Order Number
1051-X-2220-A-100111	1051, IEC Distribution Unit C14 + F, 70°C1, L: short solder terminal (L=4,8mm), N: short solder terminal (L=4,8mm), ground: short solder terminal (L=4,8mm), terminals outlet L: solder terminal, terminals outlet L: solder terminal, ground: solder terminal, color: jet black; RAL9005, design:	4304.6003
1051-X-9990-A-100999	1051, IEC Distribution Unit C14 + F, 70°C1, L: blade terminal (6,3x0,8mm), N: blade terminal (6,3x0,8mm), ground: blade terminal (6,3x0,8mm), terminals outlet L: blade terminal (6,3x0,8mm), terminals outlet L: solder terminal, ground: blade terminal (6,3x0,8mm), color: jet black; RAL9005, design:	4304.6004

The listed variants should be available from stock. Other versions on request [www.schurter.com/contact](http://www.schurter.com/contact)

## Packaging unit

50 Pcs