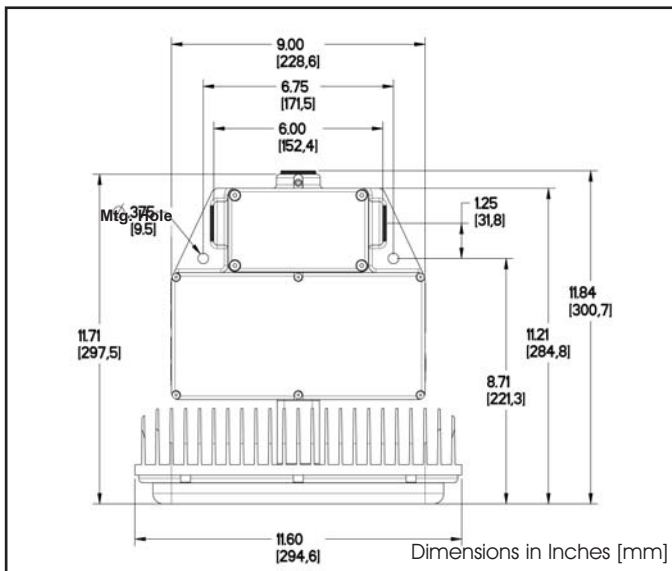




## DuroSite™ LED Area Light



### Certifications & Ratings:

- ▷ Certified to NEMA 4X / UL1598 / UL1598A / CSA 22.2
- ▷ CE compliant
- ▷ IP66 rated

### Features & Benefits:

- ▷ Low power consumption
- ▷ Instant on/off response
- ▷ Weather/corrosion resistant lamp assembly and housing
- ▷ Universal input (120-277 VAC), 50/60 Hz
- ▷ Resistant to shock (IEC 68-2-27) and vibration (FAA 150/5345-46C)
- ▷ 5 year warranty
- ▷ 70% lumen maintenance over 60,000 operating hours

### Order Codes:

DuroSite 70 Series	
STW-00-070-1111-212	70W, 180 Degree Beam
STW-00-070-1111-312	70W, 360 Degree Beam
DuroSite 150 Series	
STW-00-150-1111-212	100W, 180 Degree Beam
STW-00-150-1111-312	100W, 360 Degree Beam
DuroSite 250 Series	
STW-00-250-1111-212	100W, 180 Degree Beam
STW-00-250-1111-312	100W, 360 Degree Beam

### Application:

Dialight introduces the new state of the art LED DuroSite™ area light for tough and harsh industrial locations. Its rugged solid state design creates a new era where failed lamps and expensive relamping costs become a thing of the past. This light incorporates both cutting edge LED technology along with proprietary optics to achieve area lighting comparable with other traditional light sources. By focusing the light where it is needed, this luminaire is the most efficient light source available for industrial area lighting applications. Its green credentials include significant energy consumption savings and reducing light pollution.

Whether your application is a power plant, paper mill, steel mill or bottling this fixture offers improved performance across the board.

### Mechanical Information:

- Container Dimensions:** 15" X 16" X 10"  
381mm x 407mm x 254mm
- Container Weight:** 19 lbs (8.2 kg)
- Mounting:** Threaded 1" NPT on 3 sides of splice box

### Electrical specifications:

- Operating Voltage:** 120-277 VAC, 50/60 Hz
- Power Consumption:** 70W (70 Series), 100W (150 & 250 Series)
- Operating Temp:** -40°F to +133°F (-40°C to +55°C)
- Harmonics:** IEC 6100-3-2
- Surge / Lightning Protection:** 1 kV line to line  
2 kV line to ground
- THD:** <5% (120VAC)  
<10% (230/240VAC)  
<15% (277VAC)

- Power Factor:** > 0.9

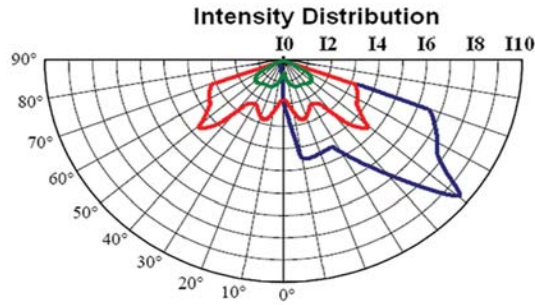
### Material:

- Lens:** UV stabilized polycarbonate with enhanced abrasive resistance
- Body:** Grey powder coated aluminum
- Heat sink:** Grey powder coated aluminum
- Accessories (hardware):** Stainless steel

### Photometric Information:

- CRI (typ):** 70
- CCT:** 4500-7000K

# Light Measurement Data



**FRONT/BACK**  
 — 180 Degree Pattern  
 — 360 Degree Pattern

**SIDES**  
 — 180 Degree Pattern  
 — 360 Degree Pattern

## 70 Series

Intensity Values for Night or Low Light Level Conditions (Scotopic Candelas)

I0	I2	I4	I6	I8	I10
0	1333	2667	4000	5333	6667

8,300 Total Lumens for Night or Low Light Level Conditions (scotopic)

Intensity Values for Day or High Light Level Conditions (Photopic Candelas)

I0	I2	I4	I6	I8	I10
0	600	1200	1800	2400	3000

3,640 Total Lumens for Day or High Light Level Conditions (photopic)

## 150 Series

I0	I2	I4	I6	I8	I10
0	1800	3600	5400	8100	9000

11,250 Total Lumens for Night or Low Light Level Conditions (scotopic)

I0	I2	I4	I6	I8	I10
0	810	1620	2430	3240	4050

4,950 Total Lumens for Day or High Light Level Conditions (photopic)

## 250 Series

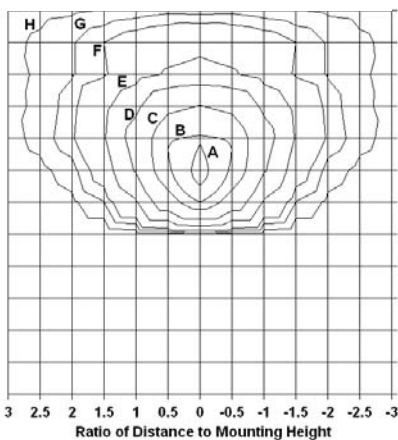
I0	I2	I4	I6	I8	I10
0	2000	4000	6000	8000	10000

12,500 Total Lumens for Night or Low Light Level Conditions (scotopic)

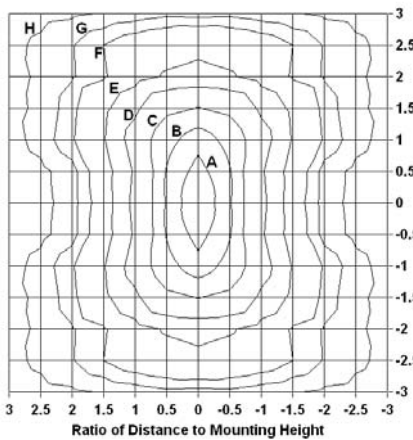
I0	I2	I4	I6	I8	I10
0	900	1800	2700	3600	4500

5,500 Total Lumens for Day or High Light Level Conditions (photopic)

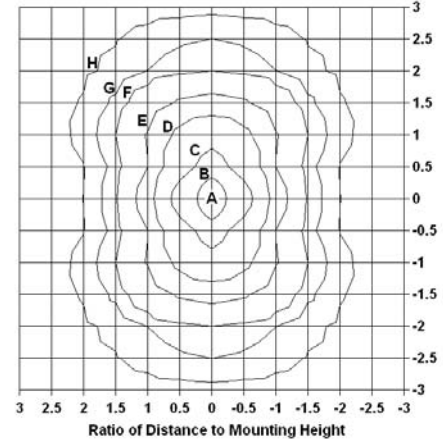
180 Degree Pattern



Back to Back 360 Degree Pattern



360 Degree Pattern



## 70 Series

Illuminance Values for Night or Low Light Level Conditions (Scotopic Footcandles)

Mounting Height (ft)	A	B	C	D	E	F	G	H
4	136.80	91.20	72.96	45.60	27.36	13.68	9.12	4.56
8	34.20	22.80	18.24	11.40	6.84	3.42	2.28	1.14
12	15.20	10.13	8.11	5.07	3.04	1.52	1.01	0.51
16	8.55	5.70	4.56	2.85	1.71	0.86	0.57	0.29
20	5.47	3.65	2.92	1.82	1.09	0.55	0.36	0.18
25	3.50	2.33	1.87	1.17	0.70	0.35	0.23	0.12
30	2.43	1.62	1.30	0.81	0.49	0.24	0.16	0.08
35	1.79	1.19	0.95	0.60	0.36	0.18	0.12	0.06

Illuminance Values for Day or High Light Level Conditions (Photopic Footcandles)

Mounting Height (ft)	A	B	C	D	E	F	G	H
4	60.00	40.00	32.00	20.00	12.00	6.00	4.00	2.00
8	15.00	10.00	8.00	5.00	3.00	1.50	1.00	0.50
12	6.67	4.44	3.56	2.22	1.33	0.67	0.44	0.22
16	3.75	2.50	2.00	1.25	0.75	0.38	0.25	0.13
20	2.40	1.60	1.28	0.80	0.48	0.24	0.16	0.08
25	1.54	1.02	0.82	0.51	0.31	0.15	0.10	0.05
30	1.07	0.71	0.57	0.36	0.21	0.11	0.07	0.04
35	0.78	0.52	0.42	0.26	0.16	0.08	0.05	0.03

## 150 Series

Illuminance Values for Night or Low Light Level Conditions (Scotopic Footcandles)

Mounting Height (ft)	A	B	C	D	E	F	G	H
4	184.7	123.1	98.5	61.6	36.9	18.5	12.3	6.2
8	46.2	30.8	24.6	15.4	9.2	4.6	3.1	1.5
12	20.5	13.7	10.9	6.8	4.1	2.1	1.4	0.7
16	11.6	7.7	6.2	3.9	2.3	1.1	0.8	0.4
20	7.4	4.9	3.9	2.5	1.5	0.7	0.5	0.2
25	4.7	3.2	2.5	1.6	0.9	0.5	0.3	0.2
30	3.3	2.2	1.7	1.1	0.7	0.3	0.2	0.1
35	2.4	1.6	1.3	0.8	0.5	0.2	0.2	0.1

Illuminance Values for Day or High Light Level Conditions (Photopic Footcandles)

Mounting Height (ft)	A	B	C	D	E	F	G	H
4	81.00	54.00	43.20	27.00	16.20	8.10	5.40	2.70
8	20.25	13.50	10.80	6.75	4.05	2.03	1.35	0.68
12	9.00	6.00	4.80	3.00	1.80	0.90	0.60	0.30
16	5.07	3.38	2.70	1.69	1.02	0.50	0.34	0.17
20	3.24	2.16	1.73	1.08	0.65	0.32	0.22	0.11
25	2.07	1.39	1.11	0.69	0.41	0.21	0.14	0.07
30	1.44	0.96	0.77	0.48	0.29	0.14	0.10	0.05
35	1.06	0.70	0.57	0.35	0.22	0.11	0.07	0.04

## 250 Series

Illuminance Values for Night or Low Light Level Conditions (Scotopic Footcandles)

Mounting Height (ft)	A	B	C	D	E	F	G	H
4	205.20	136.80	109.44	68.40	41.04	20.52	13.68	6.84
8	51.30	34.20	27.36	17.10	10.26	5.13	3.42	1.71
12	22.80	15.20	12.16	7.60	4.56	2.28	1.52	0.76
16	12.83	8.55	6.84	4.28	2.57	1.28	0.86	0.43
20	8.21	5.47	4.38	2.74	1.64	0.82	0.55	0.27
25	5.25	3.50	2.80	1.75	1.05	0.53	0.35	0.18
30	3.65	2.43	1.95	1.22	0.73	0.36	0.24	0.12
35	2.68	1.79	1.43	0.89	0.54	0.27	0.18	0.09

Illuminance Values for Day or High Light Level Conditions (Photopic Footcandles)

Mounting Height (ft)	A	B	C	D	E	F	G	H
4	90.00	60.00	48.00	30.00	18.00	9.00	6.00	3.00
8	22.50	15.00	12.00	7.50	4.50	2.25	1.50	0.75
12	10.00	6.67	5.33	3.33	2.00	1.00	0.67	0.33
16	5.63	3.75	3.00	1.88	1.13	0.56	0.38	0.19
20	3.60	2.40	1.92	1.20	0.72	0.36	0.24	0.12
25	2.30	1.54	1.23	0.77	0.46	0.23	0.15	0.08
30	1.60	1.07	0.85	0.53	0.32	0.16	0.11	0.05
35	1.18	0.78	0.63	0.39	0.24	0.12	0.08	0.04

# DuroSite™ Area Light Mounting Brackets - Single Units



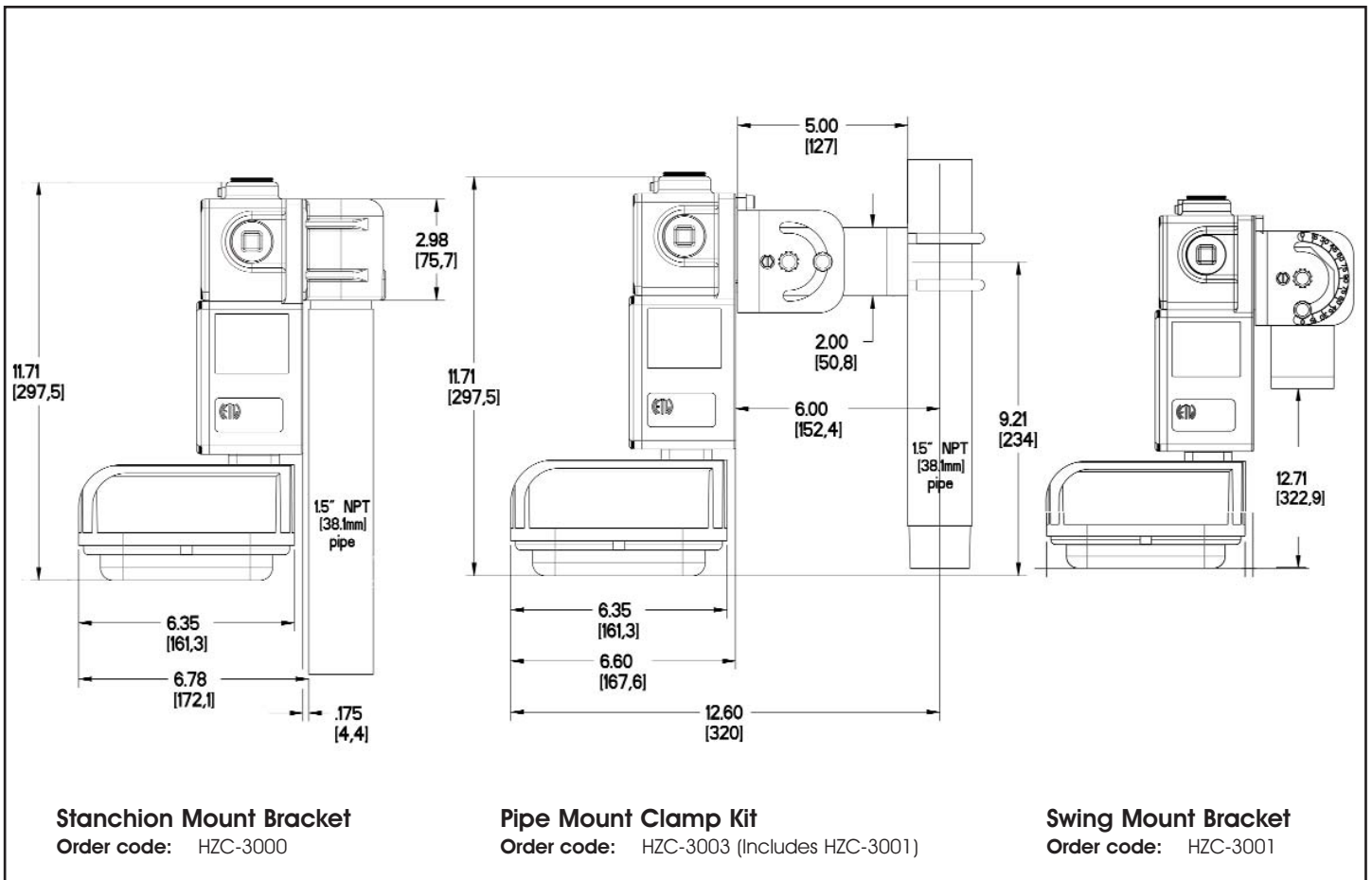
Stanchion Mount Bracket



Pipe Mount Clamp Kit



180° Adjustable Swing Mount Bracket



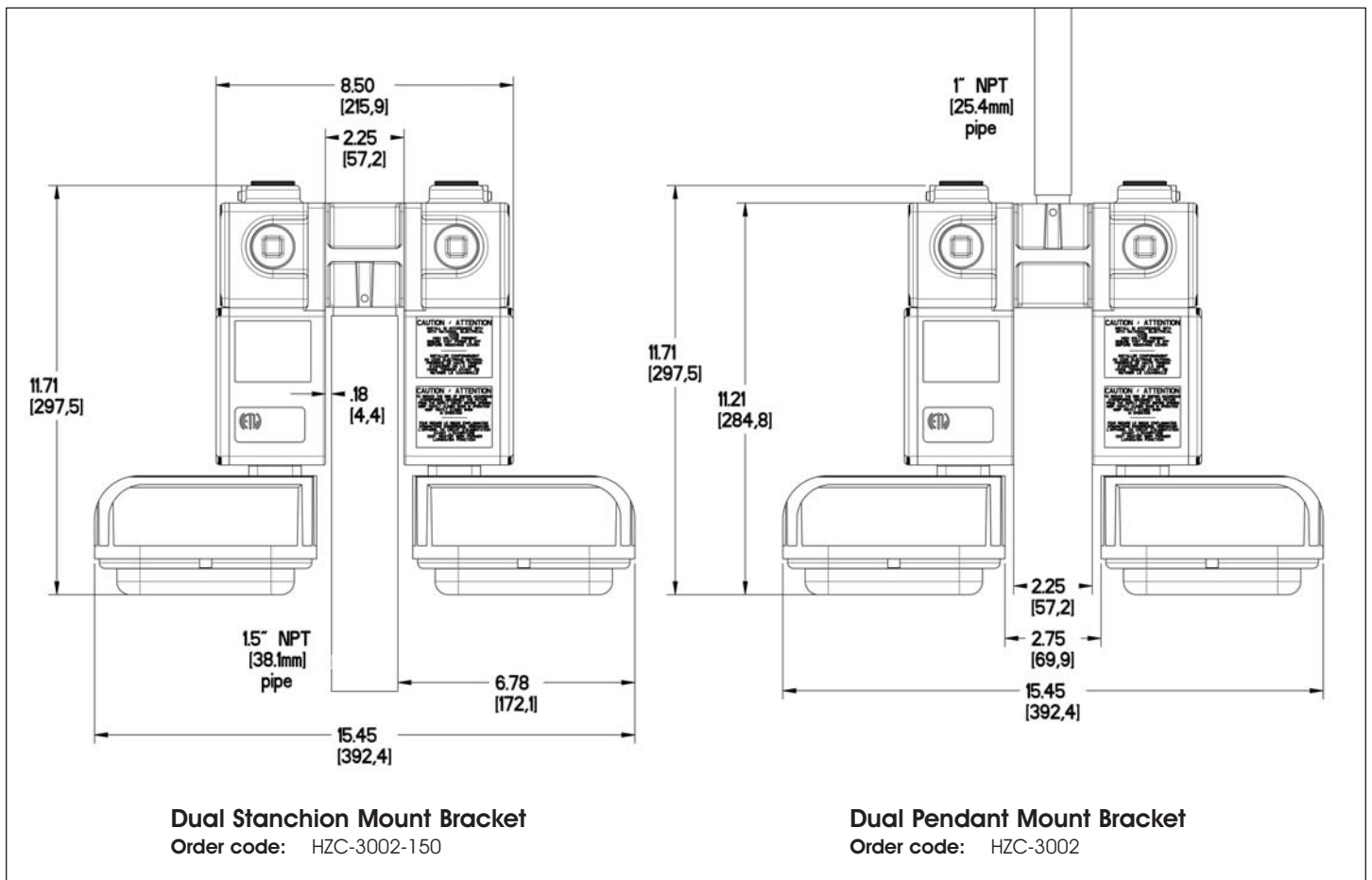
Dimensions in Inches [mm]

# DuroSite™ Area Light Mounting Brackets - Dual Units

Dual Stanchion Mount Bracket



Dual Pendant Mount Bracket



Dimensions in Inches [mm]

Dialight reserves the right to make changes at any time in order to supply the best product possible.

The most current version of this document will always be available at:

[http://www.dialight.com/Assets/Brochures\\_And\\_Catalogs/Illumination/MDTFSTWBROCHURE.pdf](http://www.dialight.com/Assets/Brochures_And_Catalogs/Illumination/MDTFSTWBROCHURE.pdf)

MDTFSTWBROCHURE\_D