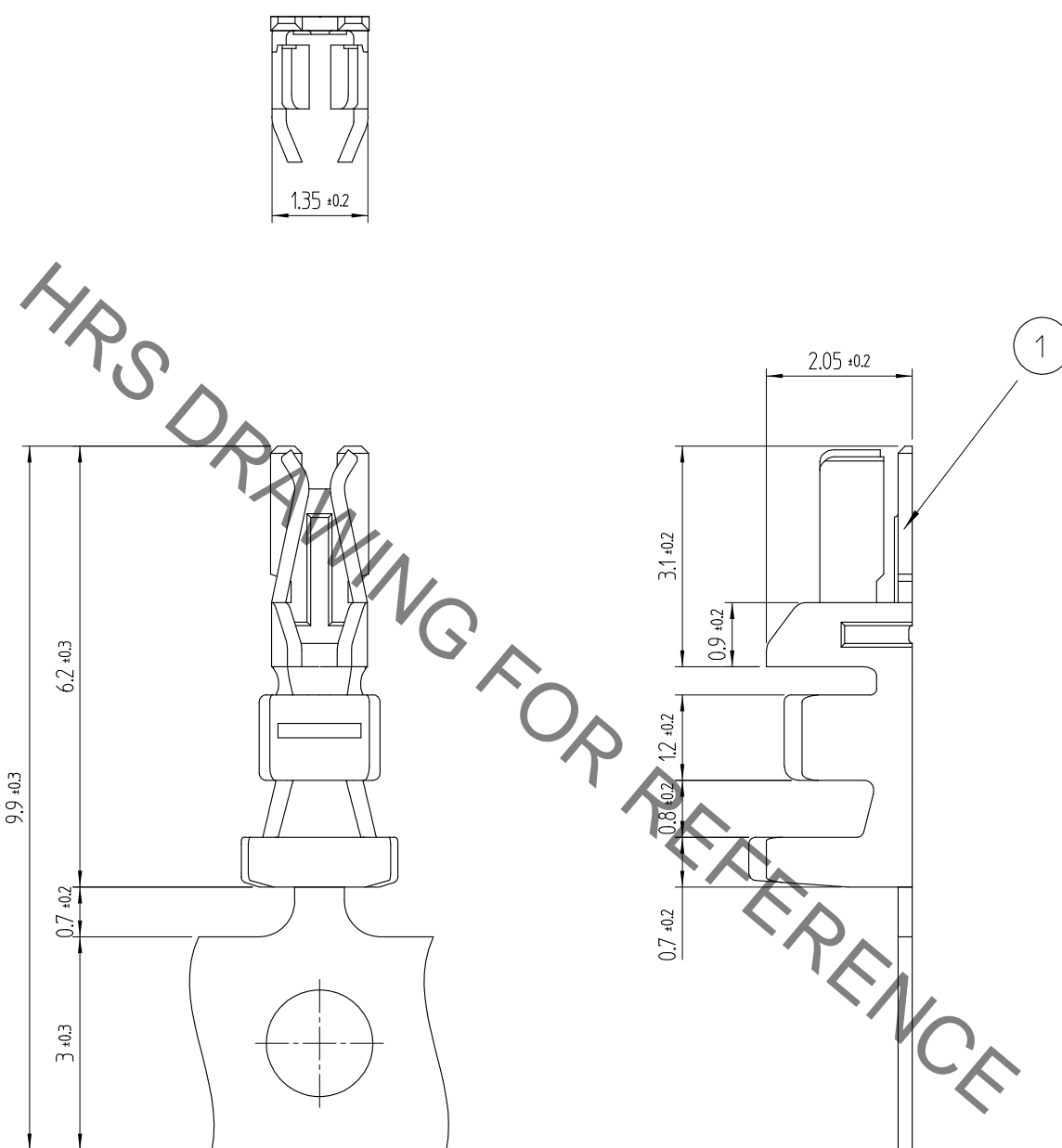


May.1.2022 Copyright 2022 HIROSE ELECTRIC CO., LTD. All Rights Reserved.
 In case of consideration for using Automotive equipment / device which demand high reliability, kindly contact our sales window correspondents.

1					2					3					4				
△數 COUNT	訂正事項 DESCRIPTION OF REVISIONS				擔當 B Y	檢圖 CHKD	年月日 DATE			△數 COUNT	訂正事項 DESCRIPTION OF REVISIONS				擔當 B Y	檢圖 CHKD	年月日 DATE		
△										△									
△										△									
△										△									



NOTE1. ONE REEL HAS 10,000 PIECES OF CONTACTS.

NO.		MATERIAL		FINISH. REMARKS		NO.		MATERIAL		FINISH. REMARKS			
		1		PHOSPHOR BRONZE		1		PHOSPHOR BRONZE		TIN PLATED 1μm MIN.			
CODE NO. (OLD)				DRAWN		DESIGNED		CHECKED		APPROVED		RELEASED	
				CHOI 17.12.22 J.S		CHOI 17.12.22 J.S		LIM 17.12.22 S.M		KANG 17.12.22 T.S		ENG 20.02.20 DEPT	
DRAWING NO.		EDC4-611493				PART NO.		DF51K-22SCF (800)					
SCALE 10:1		HRS HIROSE KOREA CO.,LTD.				CODE NO.		6652-0039-4-800					
UNITS mm													