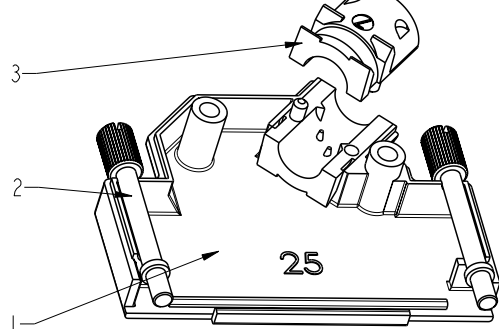
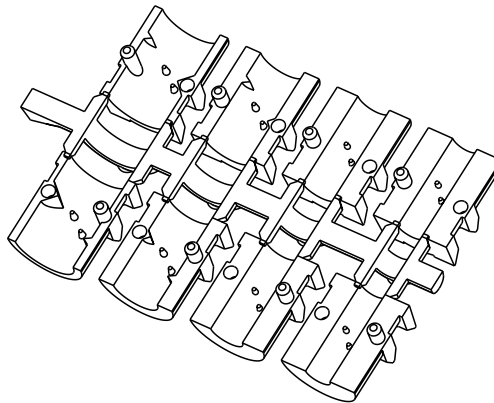
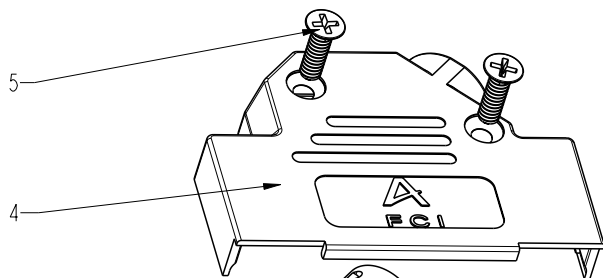
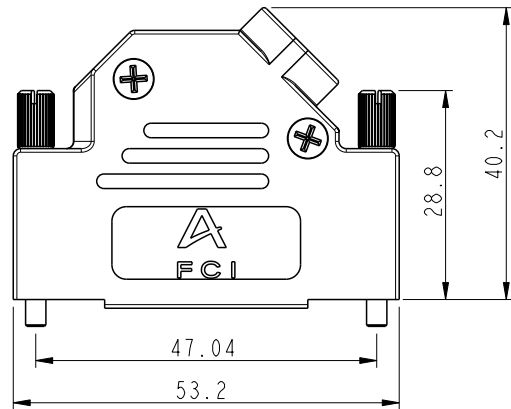
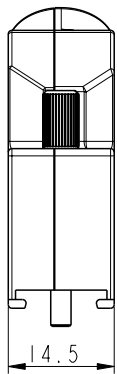


Tous droits strictement réservés. Reproduction ou communication à des fins interdite sans autorisation écrite du propriétaire. Propriété de FCI. Droits de reproduction FCI.

**FCI**

All rights strictly reserved. Reproduction or issue in third parties in any form whatever is not permitted without written authority from the proprietor. Property of FCI. Copyright FCI.

SIZE	Part Num.	Threading
25	8655MHRA2501	UNC 4.40



NOTES:

- Material and finish: Zinc die-cast nickel plated
- Cable strain relief: Steel fibre reinforced Polycarbonate (UL94V-0) for EMI/RFI screening
- Jackscrew: black UNC 4.40
- Temperature range: -40°C to 120°C
- Cable diameter: 4,0 to 13,0mm
- Attenuation factor: >40 dB between 30MHz and 1 GHz
- Packaging: Bulk, in box of 100 P/N
- Covers screwing force (max): 100Ncm
- Jackscrew screwing force (max): 75 Ncm

DESIGNATION	REP.	09	15	25	37
COVER BOTTOM	1			1	
JACKSCREW	2	1		2	
STRAIN RELIEF	3			2	
COVER TOP	4			1	
SCREW POZIDRIVE	5			2	

lfr	ecn no	dr	date
A	LS4045	SBA	04/27/04
-	-	-	-
-	-	-	-
-	-	-	-
-	-	-	-
-	-	-	-
-	-	-	-

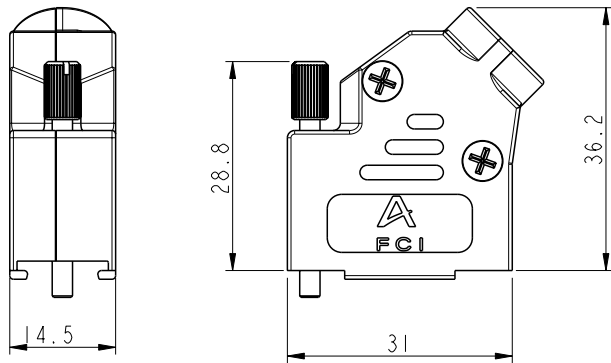
<b>FCI</b>	www.fciconnect.com		surface -	tolerance	projection	mm	
			ISO 1302	ISO 406 ISO 1101			
Dr	BART.S	08.04.04	Product family		D-SUB	size	
Eng	LENOIR.M	08.04.04	Spec ref			Scale	
Chr	LEGARE.P	08.04.04	Material		SEE NOTES	ECN	
Appr	LEGARE.P	08.04.04					
title					D-SUB METAL SHELLS		dwg no
					ANGLED		
catalog no					CUSTOMER COPY		Rev.
					10039956C		A
					sheet 1 of 3		

Tous droits strictement réservés. Reproduction ou communication à des fins interdites sans gracieuse forme que ce soit sans autorisation écrite du propriétaire. Propriété de FCI. Droits de reproduction FCI.

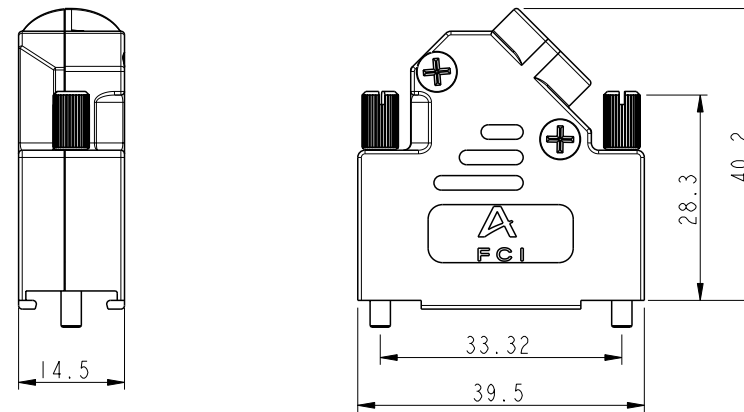
**FCI**

All rights strictly reserved. Reproduction or communication to third parties in any form whatsoever is not permitted without written authority from the proprietor. Property of FCI. Copyright FCI.

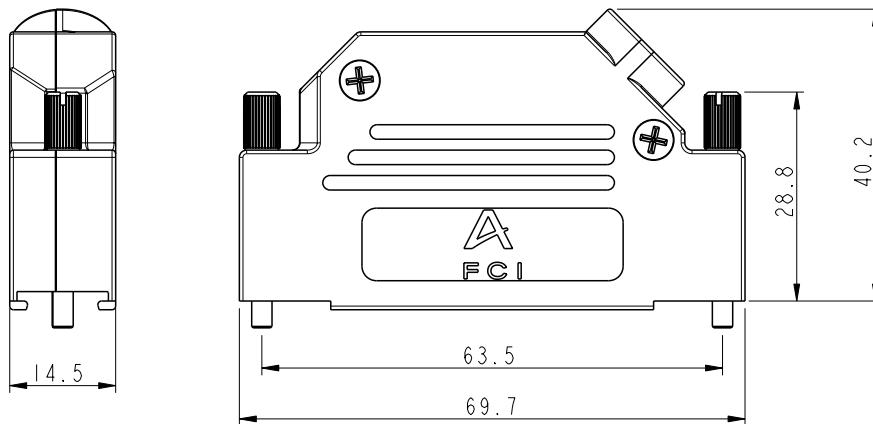
SIZE	Part Num.	Threading
09	8655MHRA0901	UNC 4.40



SIZE	Part Num.	Threading
15	8655MHRA1501	UNC 4.40



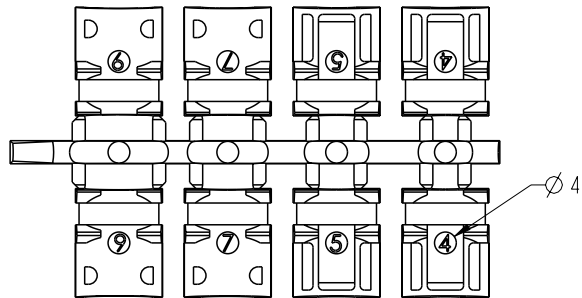
SIZE	Part Num.	Threading
37	8655MHRA3701	UNC 4.40



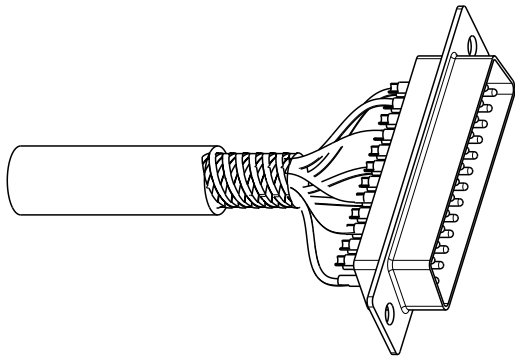
<b>FCI</b> www.fciconnect.com		surface - ISO 1302	tolerance ISO 406 ISO 1101	projection 	mm 
Dr	BART.S	08.04.04	Product family	D-SUB	size A3
Eng	LENOIR.M	08.04.04	Spec ref		Scale 3:2
Chr	LEGARE.P	08.04.04	Material	SEE NOTES	ECN -
Appr	LEGARE.P	08.04.04			
title			D-SUB METAL SHELLS		Rev. A
ANGLED			dwg no 10039956C		
catalog no			- CUSTOMER COPY		sheet 2 of 3

# CABLING INSTRUCTIONS

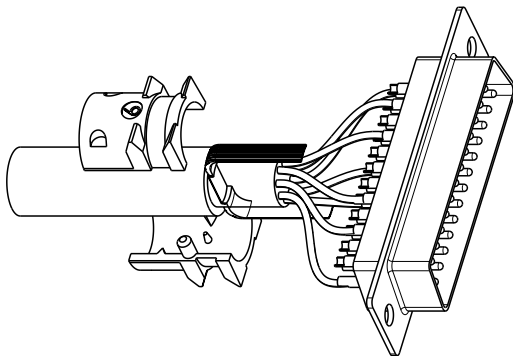
1- Use two halves of strain relief, different sizes can be mixed (Ø 4, 5, 7 or 9)



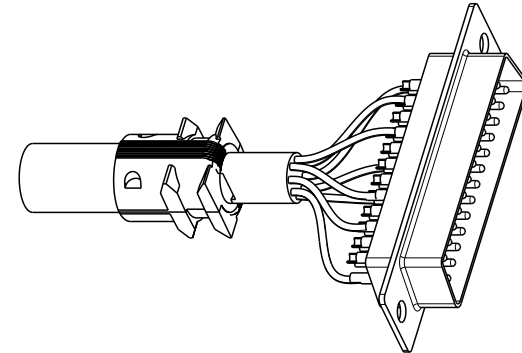
2- Strip cable 18mm and shape to two pigtails



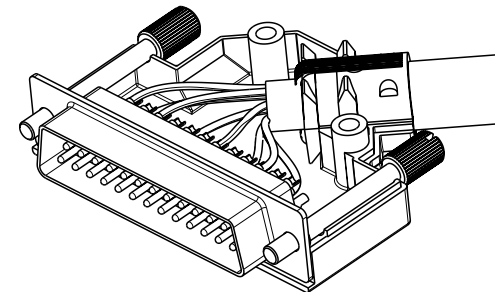
3- Attach the strain relief around the cable



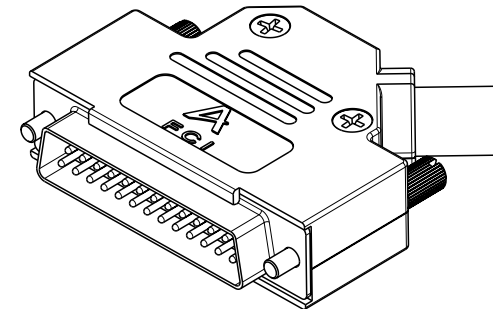
4- Bend cable shielding back on outside of strain relief



5- Mount connector and cable into the backshell



6- Assemble the other half screwing force: 100 Ncm



Tous droits strictement réservés. Reproduction ou communication e des tiers interdite sans autorisation écrite du propriétaire. Propriété de A FCI. Droits de reproduction FCI.

**A FCI**

All rights strictly reserved. Reproduction or issues in third parties in any form whatever is not permitted without written authority from the proprietor. Property of FCI. Copyright FCI.

<b>A FCI</b>		www.fciconnect.com		surface -	tolerance ✓	projection	mm
				ISO 1302	ISO 406		
Dr	BART.S	08.04.04	Product family	D-SUB		size	Scale
Eng	LENOIR.M	08.04.04	Spec ref			A3	3:2
Chr	LEGARE.P	08.04.04	Material	SEE NOTES		ECN	-
Appr	LEGARE.P	08.04.04					
title				D-SUB METAL SHELLS		Rev.	
				ANGLED		A	
catalog no				- CUSTOMER COPY		sheet 3 of 3	