

**SURFACE MOUNT SCHOTTKY
BARRIER RECTIFIERS**
SS12--SS110
FEATURES

- Schottky barrier rectifier
- Guarding protection
- Low forward voltage
- Reverse energy tested
- High current capability
- Extremely low thermal resistance


MECHANICAL DATA

- Case: SMA molded plastic body
- Polarity: Color band denotes cathode end
- Mounting position: ANY

Maximum Ratings (@TA = 25°C unless otherwise specified)

Characteristic	Symbol	SS12	SS13	SS14	SS145	SS15	SS16	SS18	SS19	SS110	UNITS
Maximum repetitive peak reverse voltage	V_{RRM}	20	30	40	45	50	60	80	90	100	V
Maximum RMS voltage	V_{RWS}	14	21	28	31.5	35	42	56	63	70	V
Maximum DC blocking voltage	V_{DC}	20	30	40	45	50	60	80	90	100	V
Maximum average forward rectified current at $T_L=90^\circ\text{C}$	$I_{F(AV)}$	1.0									A
Peak forward surge current 8.3ms single half-sine-wave	I_{FSM}	35									A

Thermal Characteristics

Characteristic	Symbol	SS12	SS13	SS14	SS145	SS15	SS16	SS18	SS19	SS110	UNITS
Typical thermal resistance (NOTE 1)	$R_{\theta JL}$	28									$^\circ\text{C/W}$
	$R_{\theta JA}$	88									
Typical Junction Capacitance (NOTE 2)	C_J	88									pF
Operating temperature range	T_J	-55 ---- +125						-55 ---- +150			$^\circ\text{C}$
Storage temperature range	T_{STG}	-55 ---- +150									$^\circ\text{C}$

Electrical Characteristics (@TA = 25°C unless otherwise specified)

Characteristic	Symbol	SS12	SS13	SS14	SS145	SS15	SS16	SS18	SS19	SS110	UNITS
Maximum instantaneous forward voltage at $I_{FM}=1.0\text{A}$	V_F	0.50				0.75		0.85			V
Maximum DC reverse current $T_J=25^\circ\text{C}$ at rated DC blocking voltage $T_J=125^\circ\text{C}$	I_R	0.2						0.5			mA
		6.0				5.0					

Note: 1、 P.C.B. mounted with 0.2 x 0.2" (5.0 x 5.0mm) copper pad areas

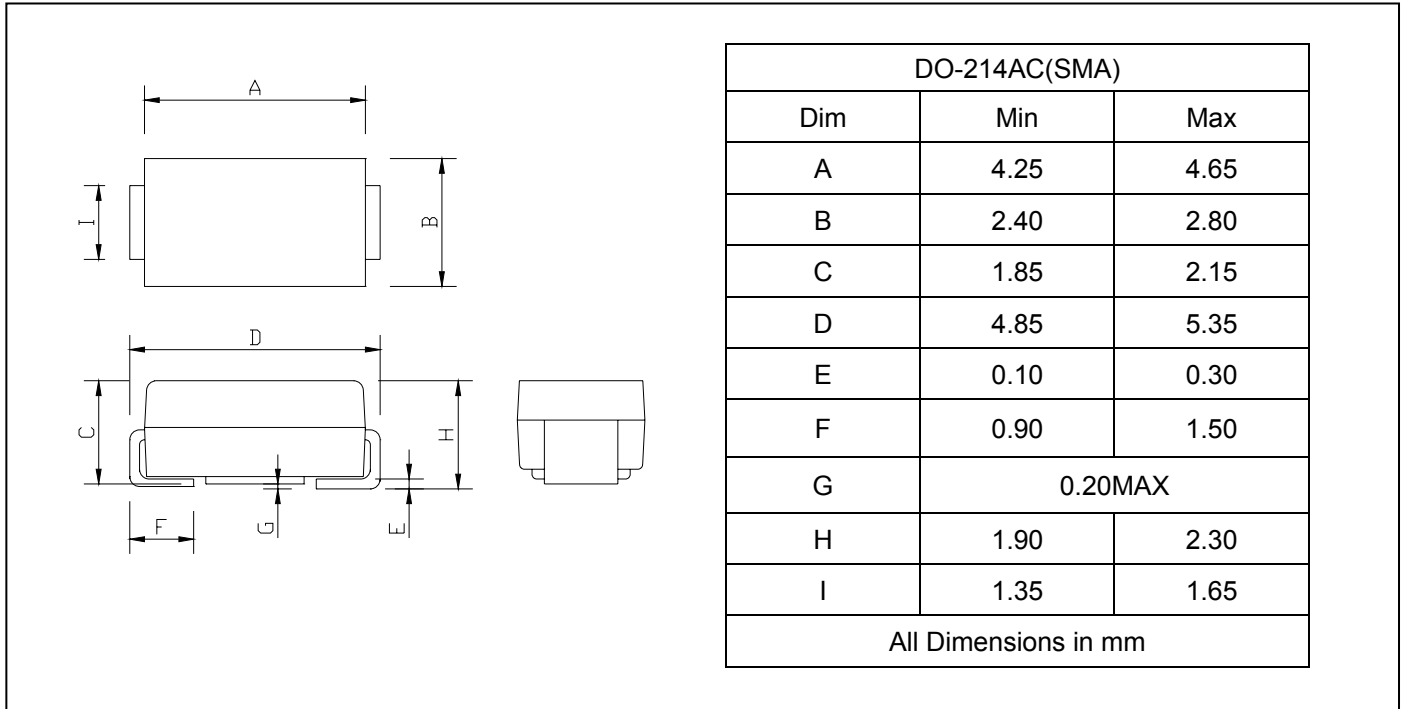
2、 1.Measured at 1MHz and applied reverse voltage of 4.0V D.C



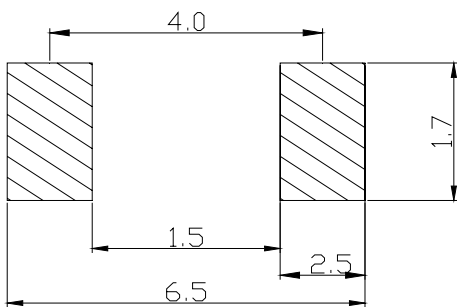
**SURFACE MOUNT SCHOTTKY
BARRIER RECTIFIERS**

SS12--SS110

PACKAGE OUTLINE DIMENSIONS



SOLDERING FOOTPRINT



Unit : mm

PACKAGE INFORMATION

Device	Package	Shipping
SS12--SS110	DO-214AC(SMA)	5000/Tape&Reel



**SURFACE MOUNT SCHOTTKY
BARRIER RECTIFIERS**

SS12--SS110

FIG.1 – FORWARD DERATING CURVE

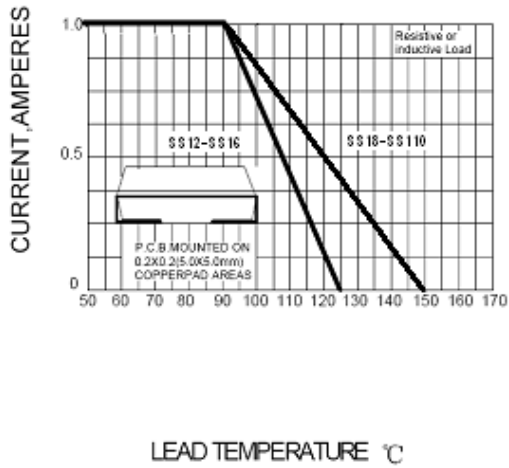


FIG.2- PEAK FORWARD SURGE CURRENT

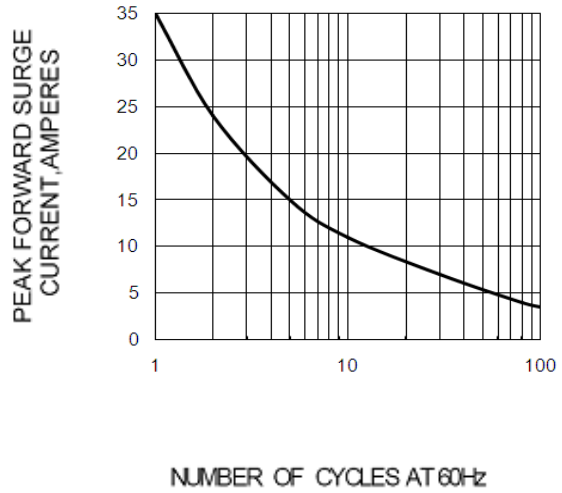


FIG.3 – TYPICAL FORWARD CHARACTERISTICS

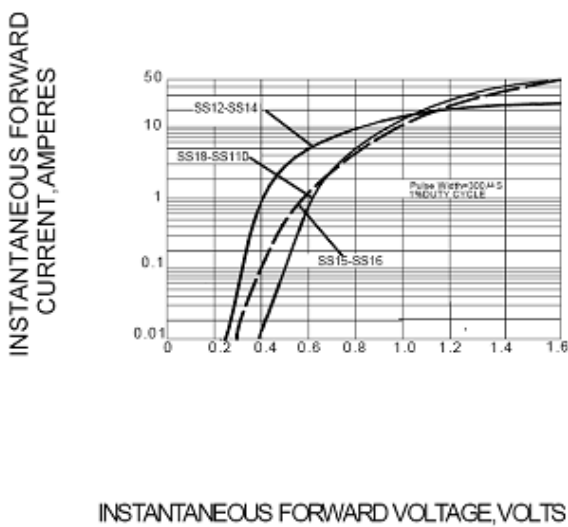


FIG.4 – TYPICAL REVERSE CHARACTERISTICS

