

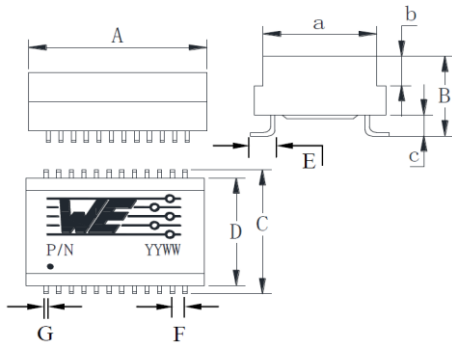
Spezifikation für Freigabe / specification for release

Kunde / customer :
 Artikelnummer / part number : **749023010A**
 Bezeichnung : **LAN-Übertrager WE-LAN**
 description : **LAN-Transformer WE-LAN**



DATUM / DATE : 2015-01-26

A Mechanische Abmessungen / dimensions :

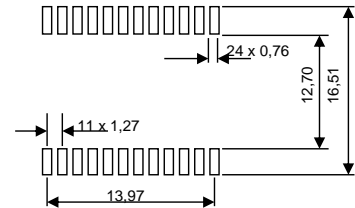


| | 1000 BaseT | |
|---|---------------------|----|
| A | 17,50 ± 0,25 | mm |
| B | 6,00 max. | mm |
| C | 15,24 ± 0,25 | mm |
| D | 14,20 ± 0,25 | mm |
| E | 1,20 ± 0,05 | mm |
| 0 | 1,27 ± 0,05 | mm |
| G | 0,30 ± 0,10 | mm |
| a | 12,65 ± 0,25 | mm |
| b | 2,3 ± 0,25 | mm |
| c | 2,00 max. | mm |

B Elektrische Eigenschaften / electrical properties :

| Eigenschaften / properties | Testbedingungen / test conditions | | Wert / value | Einheit / unit | tol. |
|--------------------------------------|-------------------------------------|------|--------------|----------------|-------------|
| Induktivität / Inductance | 100kHz / 100mV @ 8mA DC-Bias | OCL | 350 | μH | min. |
| Übersetzungsverhältnis / Turns ratio | 100kHz / 100mV | TR | 1 : 1 | Tx | 3% |
| | | | 1 : 1 | Rx | |
| Insertion Loss | 0,1MHz | IL | -1,1 | dB | max. |
| | 100MHz | | -1,0 | | |
| | 125MHz | | -2,0 | | |
| Return Loss | 30MHz @ 100Ω | RL | -18 | dB | min. |
| | 60MHz @ 100Ω | | -14 | | |
| | 80MHz @ 100Ω | | -12 | | |
| | 100MHz @ 100Ω | | -10 | | |
| Crosstalk | 30MHz | DCMR | -43 | dB | min. |
| | 60MHz | | -37 | | |
| | 100MHz | | -33 | | |

C Lötpad / soldering spec. :



D Prüfgeräte / test equipment :

HP4395A

E Testbedingungen / test conditions :

Luftfeuchtigkeit / humidity: 33%
 Umgebungstemperatur / temperature: +25°C

F Werkstoffe & Zulassungen / material & approvals :

Basismaterial / base material: Ferrit / ferrite
 Draht / wire: 4UEW 155°C
 Kontaktmaterial / contact plating: Cu-Ni-Sn
 Gehäuse / case: UL94-V0
 Verguss / potting: UL94-V0

G Eigenschaften / general specifications :

Betriebstemp. / operating temperature: 0°C - + 70°C
 Hochspannungsprüfung / Hipot test: 1500Vrms 1min.
 Geeignet für 1000BaseT-Anwendungen gemäß IEEE 802.3ab /
 Compliant with IEEE 802.3ab for 1000BaseT
 Geeignet für Power over Ethernet-Anwendungen (350 mA) /
 Suitable for Power over Ethernet applications (350 mA)

| | | | |
|-------------------------------------|--------------------------|-------------------------|--------------|
| Freigabe erteilt / general release: | Kunde / customer | | |
| | | | |
| Datum / date | Unterschrift / signature | | |
| | Würth Elektronik | | |
| | | | |
| Geprüft / checked | Kontrolliert / approved | | |
| | | | |
| | Name | Änderung / modification | Datum / date |
| | JaB | Revision 04 | 2015-01-26 |
| | LuRa | Revision 03 | 2014-07-28 |
| | LuRa | Revision 02 | 2014-01-20 |
| | Mle | Revision 01 | 2013-04-22 |
| | Mle | Revision 00 | 2012-11-09 |

Würth Elektronik eiSos GmbH & Co.KG

D-74638 Waldenburg · Max-Eyth-Straße 1 - 3 · Germany · Telefon (+49) (0) 7942 - 945 - 0 · Telefax (+49) (0) 7942 - 945 - 400
<http://www.we-online.com>

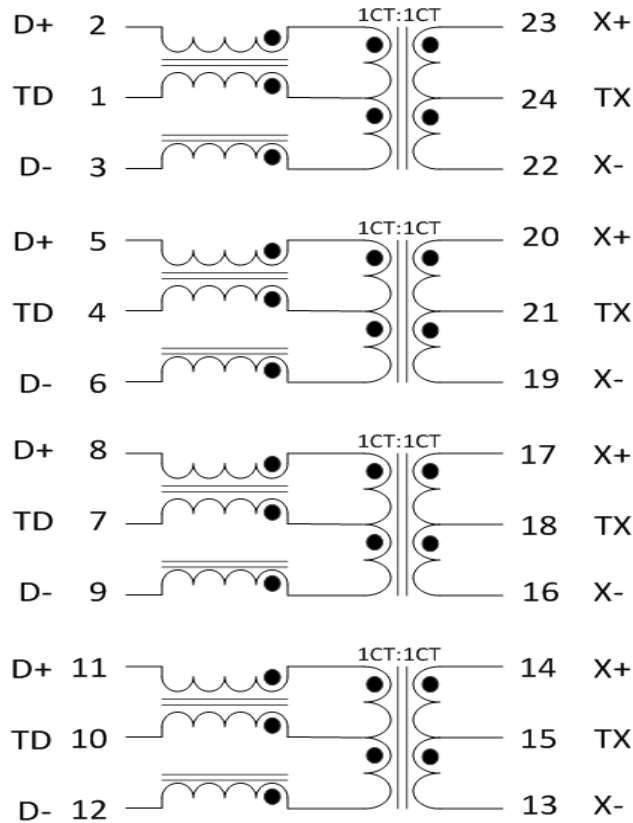
Spezifikation für Freigabe / specification for release

Kunde / customer :
 Artikelnummer / part number : **749023010A**
 Bezeichnung : **LAN-Übertrager WE-LAN**
 description : **LAN-Transformer WE-LAN**



DATUM / DATE : 2015-01-26

H Schaltbild / Schematics :



| | | | | |
|-------------------------------------|--------------------------|------|-------------------------|--------------|
| Freigabe erteilt / general release: | Kunde / customer | | | |
| | | | | |
| Datum / date | Unterschrift / signature | JaB | Revision 04 | 2015-01-26 |
| | | LuRa | Revision 03 | 2014-07-28 |
| | Würth Elektronik | LuRa | Revision 02 | 2014-01-20 |
| | | Mle | Revision 01 | 2013-04-22 |
| Geprüft / checked | Kontrolliert / approved | Mle | Revision 00 | 2012-11-09 |
| | | Name | Änderung / modification | Datum / date |

Würth Elektronik eiSos GmbH & Co.KG

D-74638 Waldenburg · Max-Eyth-Straße 1 - 3 · Germany · Telefon (+49) (0) 7942 - 945 - 0 · Telefax (+49) (0) 7942 - 945 - 400
<http://www.we-online.com>

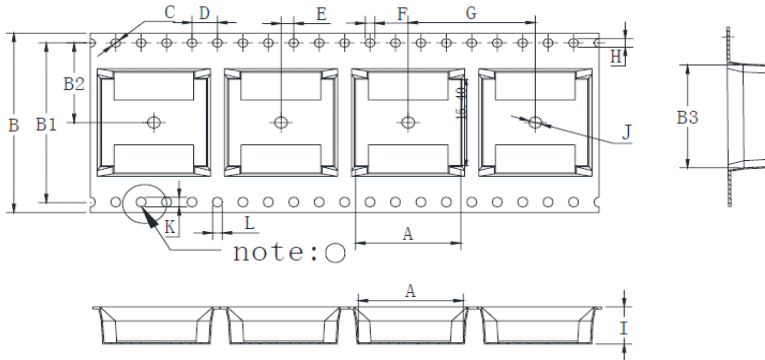
Spezifikation für Freigabe / specification for release

Kunde / customer :
 Artikelnummer / part number : **749023010A**
 Bezeichnung : **LAN-Übertrager WE-LAN**
 description : **LAN-Transformer WE-LAN**



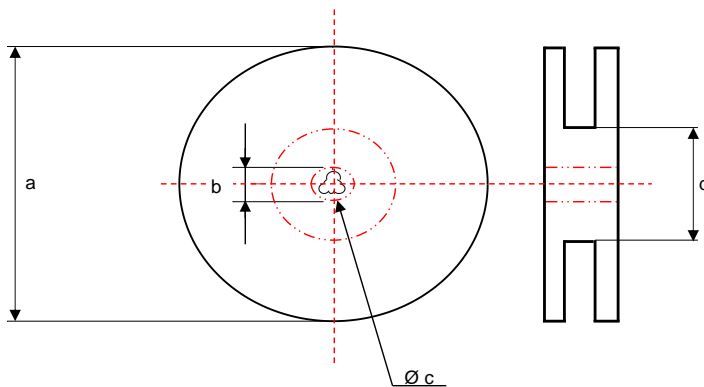
DATUM / DATE : 2015-01-26

I Rollenspezifikation / tape and reel specification :



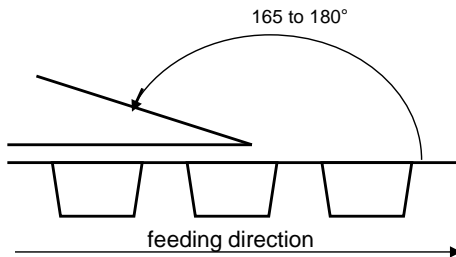
Gurtspezifikation / Tape specification:

| | | |
|----|-----------------------|----|
| A | 16,50 ± 0,10 | mm |
| B | 32,00 ± 0,30 | mm |
| B1 | 28,40 ± 0,10 | mm |
| B2 | 14,20 ± 0,10 | mm |
| B3 | 17,93 ± 0,10 | mm |
| C | 1,50 + 0,10/-0 | mm |
| D | 4,00 ± 0,10 | mm |
| E | 2,00 ± 0,10 | mm |
| F | 1,50 + 0,10/-0 | mm |
| G | 20,00 ± 0,10 | mm |
| H | 1,50 + 0,10/-0 | mm |
| I | 6,60 ± 0,10 | mm |
| J | 2,00 + 0,10/-0 | mm |
| K | 1,70 + 0,10/-0 | mm |
| L | 1,50 + 0,10/-0 | mm |



Rollenspezifikation / Reel specification:

| | | |
|---|--------------------|----|
| a | 330,0 ± 2,0 | mm |
| b | 21,00 ± 0,8 | mm |
| c | 13,50 ± 0,5 | mm |
| d | 100,0 ± 1,0 | mm |



The force for tearing off cover tape is 40 to 120 grams in arrow direction

| | | | | |
|-------------------------------------|--------------------------|------|-------------------------|--------------|
| Freigabe erteilt / general release: | Kunde / customer | | | |
| | | | | |
| | | JaB | Revision 04 | 2015-01-26 |
| Datum / date | Unterschrift / signature | LuRa | Revision 03 | 2014-07-28 |
| | Würth Elektronik | | | |
| | | LuRa | Revision 02 | 2014-01-20 |
| | | Mle | Revision 01 | 2013-04-22 |
| | | Mle | Revision 00 | 2012-11-09 |
| Geprüft / checked | Kontrolliert / approved | Name | Änderung / modification | Datum / date |

This electronic component has been designed and developed for usage in general electronic equipment. Before incorporating the component into any equipment where higher safety and reliability is especially required or if there is the possibility of direct damage or injury to human body, for example in the range of aerospace, aviation, nuclear control, submarine, transportation, (automotive control, train control, ship control), transportation signal, disaster prevention, medical, public information network etc, Würth Elektronik eiSos GmbH must be informed before the design-in stage. In addition, sufficient reliability evaluation checks for safety must be performed on every electronic component which is used in electrical circuits that require high safety and reliability functions or performance.

Würth Elektronik eiSos GmbH & Co.KG

D-74638 Waldenburg · Max-Eyth-Straße 1 - 3 · Germany · Telefon (+49) (0) 7942 - 945 - 0 · Telefax (+49) (0) 7942 - 945 - 400
<http://www.we-online.com>