

HEW (HELICAL EDGE WOUND) HIGH CURRENT INDUCTOR



HWI4434V SERIES



- High Current Inductors (inductance range from 3.6 μ H to 83 μ H) in a compact size package (44mm x 42mm x 36mm)
- Flat wire coil minimizes losses at high frequency
- Vertical mount package with mounting clip and base for added support (horizontal mount version also available)
- Operating Temperature -40°C to +150°C
- RoHS Compliant Product
- Custom Design Available

ELECTRICAL PARAMETERS @ 25°C

Part Number	INDUCTANCE (μ H) $\pm 15\%$	I _{rms} (Amp) Typical		DCR (m Ω) Max	I _{sat} (Amp) Typical			Dimensions (mm)	
		20°C Rise	40°C Rise		10% Drop	20% Drop	30% Drop	C	D
HWI4434-032A-830V	83	21	32	6.8	21	30	39	1.50	8.00
HWI4434-040A-550V	55	26	40	4.5	25	37	48	1.80	8.00
HWI4434-040A-370V	37	26	40	4.5	45	64	81	1.80	8.00
HWI4434-060A-240V	24	40	60	1.9	38	55	72	2.50	8.50
HWI4434-060A-160V	16	40	60	1.9	69	97	121	2.50	8.50
HWI4434-060A-100V	10	40	60	1.9	130	201	265	2.50	8.50
HWI4434-080A-140V	14	52	80	1.1	50	74	96	2.50	8.50
HWI4434-080A-9R3V	9.3	52	80	1.1	91	129	162	2.50	8.50
HWI4434-080A-6R0V	6.0	52	80	1.1	175	269	355	2.50	8.50
HWI4434-100A-8R4V	8.4	66	100	0.7	64	95	124	3.50	8.50
HWI4434-100A-5R6V	5.6	66	100	0.7	115	166	207	3.50	8.50
HWI4434-100A-3R6V	3.6	66	100	0.7	225	346	456	3.50	8.50

Note:

1. Inductance measured at 10KHz, 1V_{rms}
2. I_{sat} is DC current at which the inductance drops the specified amount from its original value without bias.
3. I_{rms} is the DC current that causes the specified temperature rise of the winding from 25°C ambient for the inductor.

Revised 04/25/2016

Product performance is limited to specified parameters. Data is subject to change without prior notice.

Tel: 310-325-1043
Fax: 310-325-1044

www.mpsind.com
sales@mpsind.com

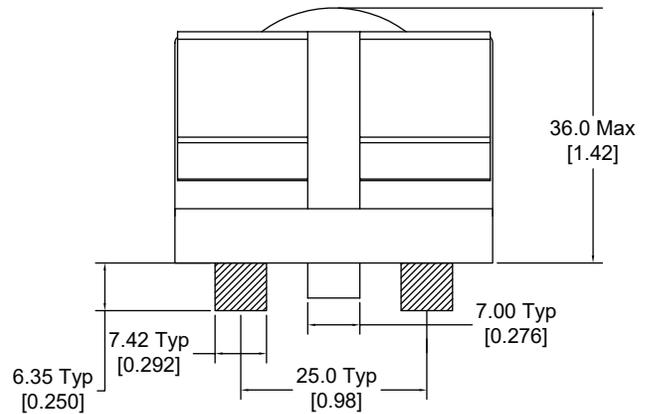
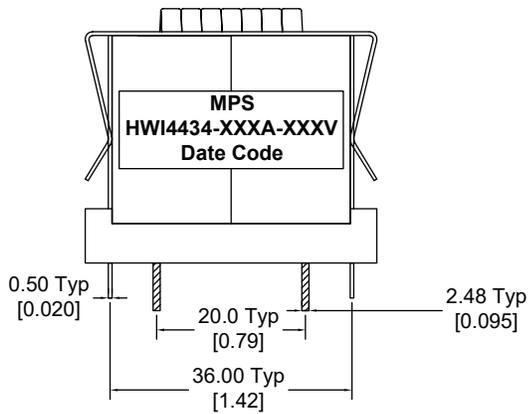
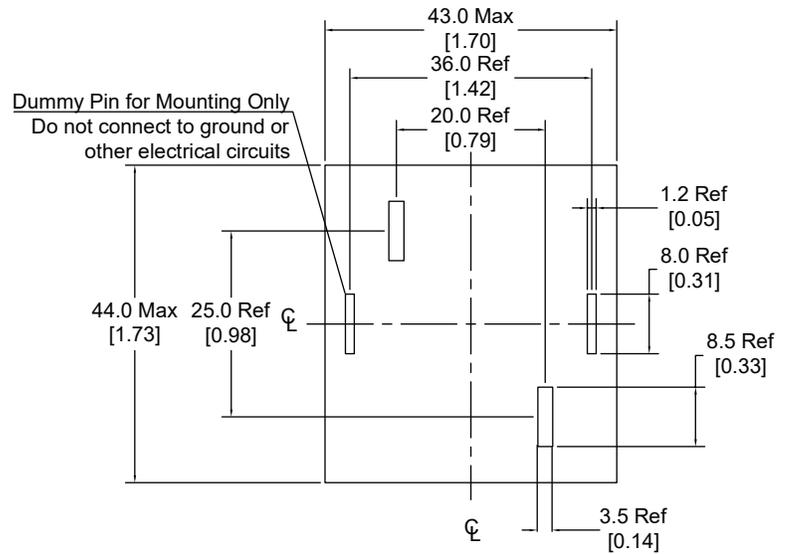
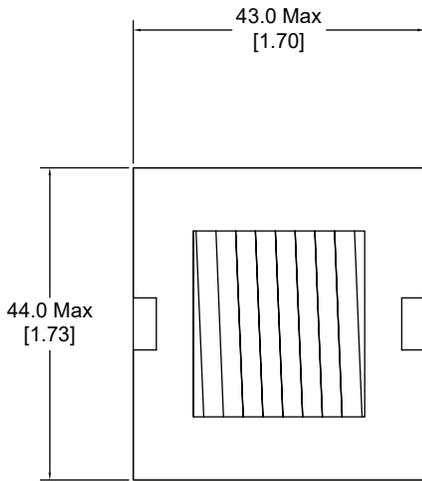
HEW (HELICAL EDGE WOUND) HIGH CURRENT INDUCTOR



HWI4434V SERIES

DIMENSIONS (mm / [inch])

Recommended PCB Layout



Revised 04/25/2016
Product performance is limited to specified parameters. Data is subject to change without prior notice.

Tel: 310-325-1043
Fax: 310-325-1044

www.mpsind.com
sales@mpsind.com