

PLEASE CHECK WWW.MOLEX.COM FOR LATEST PART INFORMATION

Part Number: [0395233007](#)
Status: **Active**
Description: 5.00mm (.197") Pitch Eurostyle™ Vertical Plug, Front Wire Entry, 7 Circuits

Documents:

[Drawing \(PDF\)](#) [RoHS Certificate of Compliance \(PDF\)](#)
[Product Specification PS-39500-001 \(PDF\)](#)

General

Product Family	Terminal Blocks
Series	39523
Application	Wire-to-Board
Comments	Front Wire Entry
Component Type	Plug
Product Literature Order No	USA-355
Product Name	ESE, Eurostyle™ Pluggable
Type	Euro Block

Physical

Circuits (Loaded)	7
Entry Angle	Horizontal
Lock to Mating Part	Yes
Number of Rows	1
Orientation	Vertical
Panel Mount	No
Pitch - Mating Interface (in)	0.197 In
Pitch - Mating Interface (mm)	5.00 mm
Polarized to Mating Part	Yes
Stackable	No
Temperature Range - Operating	-40°C to +105°C
Wire Size AWG	12, 14, 16, 18, 20, 22, 24, 26
Wire Size mm²	0.13 - 3.31

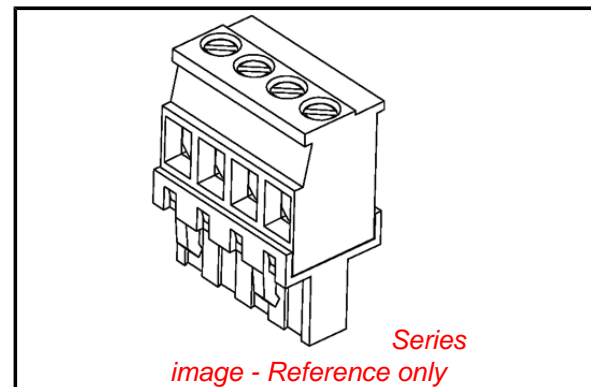
Electrical

Current - Maximum per Contact	15A
Voltage - Maximum	300V

Material Info

Reference - Drawing Numbers

Product Specification	PS-39500-001
Sales Drawing	SD-39523-001



EU RoHS

**ELV and RoHS
Compliant**
REACH SVHC
 Not Reviewed
**Halogen-Free
Status**

China RoHS



Not Reviewed

**Need more information on product
environmental compliance?**

Email productcompliance@molex.com
 For a multiple part number RoHS Certificate of
 Compliance, [click here](#)

Please visit the [Contact Us](#) section for any
 non-product compliance questions.

Search Parts in this Series

[39523Series](#)

Mates With

[39521](#) Vertical PCB Header, [39522](#)
 Horizontal PCB Header, Most 5.00mm
 (.197") Pitch Industry Standard PCB
 Headers, [39528](#) Dual Level PCB Header,
 Open Ends

10 9 8 7 6 5 4 3 2 1

F

E

D

C

B

A

F

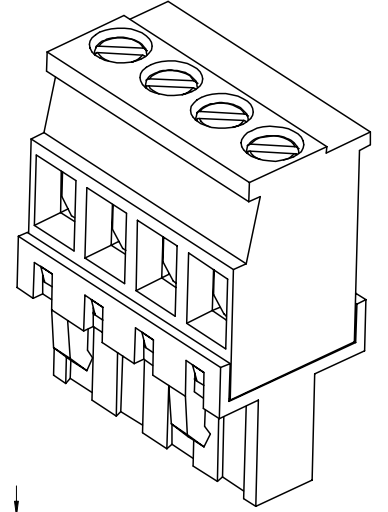
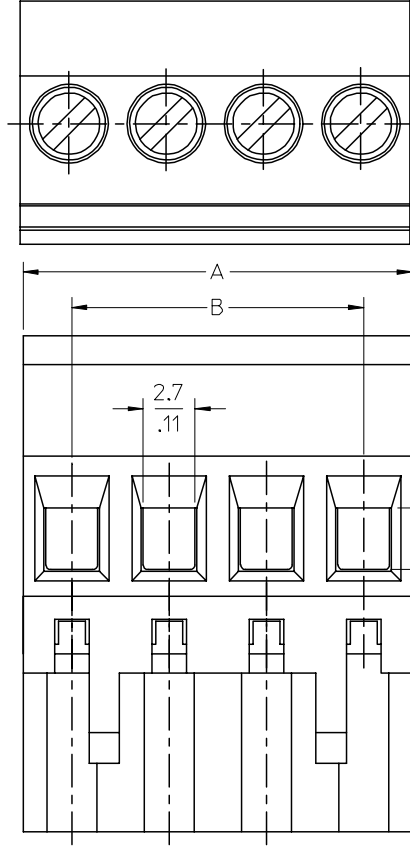
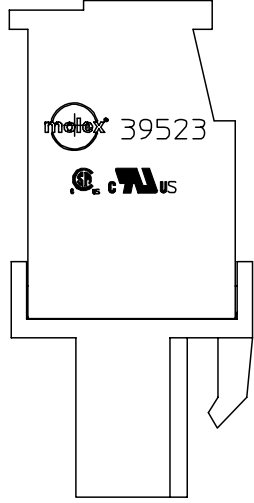
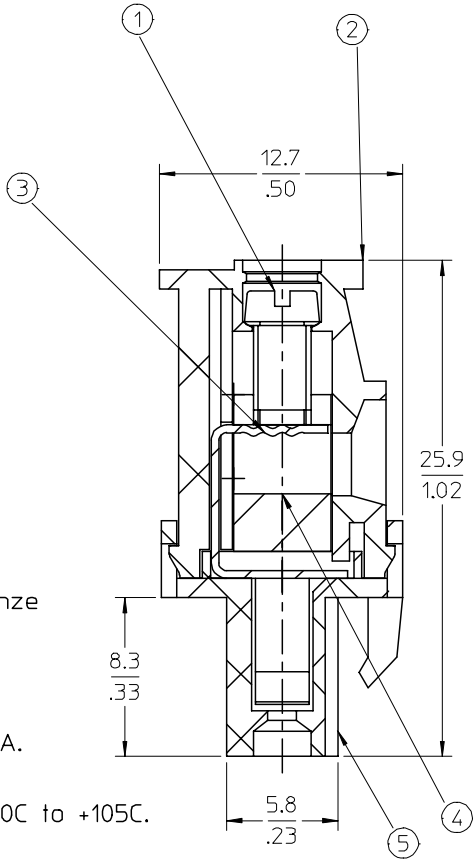
E

D

C

B

A



SPECIFICATIONS:

1. Material:
 - (1). Screw: Steel
 - (2). Body: PA66
 - (3). Terminal: Phosphor Bronze
 - (4). Cage: Brass
 - (5). Cover: PA66
2. Wire range: 12 - 26 AWG
3. Electrical rating: 300V, 15A.
4. Wire strip length: 5.0mm.
5. Operating temperature: -40C to +105C.
6. Max torque: 5 In Lbs.
7. Insulation resistance: DC 500V, 500M.
8. Dielectric withstand: AC 2500V for 1 minute.
9. Breakdown voltage: 4000V.
10. Contact resistance: <10 mW.
11. A = (N x P)
12. B = (N - 1) x P
13. P (PITCH) = 5.0mm (.197").
14. N = Number of positions available 2 through 24.

ENTER DESCRIPTION EC NO: NEO2006-0310 DRWNL: LROTHAUS 2006/01/09 CHKD: C YORK 2006/01/09 APPR: J PAMLIK 2006/01/10	DESCRIPTION QUALITY SYMBOLS ▽=0 ▽=0	GENERAL TOLERANCES (UNLESS SPECIFIED)		DIMENSION STYLE		SCALE	DESIGN UNITS	THIRD ANGLE PROJECTION	
			mm	INCH	MM/IN	4:1	INCH		
		4 PLACES	± ---	± .0015	DRAWN BY	DATE	TITLE		
		3 PLACES	± 0.038	± .005	LROTHAUS	12/6/05	5.0MM, EURO PLUG, VERTICAL, REAR WIRE ENTRY		
2 PLACES	± 0.13	± .01	CHECKED BY	DATE	MOLEX INCORPORATED				
1 PLACE	± 0.3	± ---	C. YORK	01/06/06	SD-39523-001				
ANGULAR ± 2 °		DRAFT WHERE APPLICABLE MUST REMAIN WITHIN DIMENSIONS		MATERIAL NO.	DOCUMENT NO.	SHEET NO.			
				SEE CHART	SD-39523-001	1 OF 1			
				SIZE B	THIS DRAWING CONTAINS INFORMATION THAT IS PROPRIETARY TO MOLEX INCORPORATED AND SHOULD NOT BE USED WITHOUT WRITTEN PERMISSION				

9 8 7 6 5 4 3 2 1

Description	Circuit size	Material Numbers											Dimensional Information					
		Black						Green					Dim. A		Dim. B			
		100% Tin			30 u" Gold			100% Tin			30 u" Gold		mm	inch	mm	inch		
		Printing Options		None	Printing Options		None	Printing Options		None	Printing Options						None	
None	10AV	11AV	None	10AV	11AV	None	10AV	11AV	None	10AV	11AV	None	10AV	11AV				
5.0mm, Euro Plug, Vertical, Rear Wire Entry	2	395233002	395233302	395233402	395233502	395233602	395233702	395233802	395233902	395234002	395234102	395234202	395234302	395234402	10.00	0.394	5.00	0.197
5.0mm, Euro Plug, Vertical, Rear Wire Entry	3	395233003	395233303	395233403	395233503	395233603	395233703	395233803	395233903	395234003	395234103	395234203	395234303	395234403	15.00	0.591	10.00	0.394
5.0mm, Euro Plug, Vertical, Rear Wire Entry	4	395233004	395233304	395233404	395233504	395233604	395233704	395233804	395233904	395234004	395234104	395234204	395234304	395234404	20.00	0.787	15.00	0.591
5.0mm, Euro Plug, Vertical, Rear Wire Entry	5	395233005	395233305	395233405	395233505	395233605	395233705	395233805	395233905	395234005	395234105	395234205	395234305	395234405	25.00	0.984	20.00	0.787
5.0mm, Euro Plug, Vertical, Rear Wire Entry	6	395233006	395233306	395233406	395233506	395233606	395233706	395233806	395233906	395234006	395234106	395234206	395234306	395234406	30.00	1.181	25.00	0.984
5.0mm, Euro Plug, Vertical, Rear Wire Entry	7	395233007	395233307	395233407	395233507	395233607	395233707	395233807	395233907	395234007	395234107	395234207	395234307	395234407	35.00	1.378	30.00	1.181
5.0mm, Euro Plug, Vertical, Rear Wire Entry	8	395233008	395233308	395233408	395233508	395233608	395233708	395233808	395233908	395234008	395234108	395234208	395234308	395234408	40.00	1.575	35.00	1.378
5.0mm, Euro Plug, Vertical, Rear Wire Entry	9	395233009	395233309	395233409	395233509	395233609	395233709	395233809	395233909	395234009	395234109	395234209	395234309	395234409	45.00	1.772	40.00	1.575
5.0mm, Euro Plug, Vertical, Rear Wire Entry	10	395233010	395233310	395233410	395233510	395233610	395233710	395233810	395233910	395234010	395234110	395234210	395234310	395234410	50.00	1.969	45.00	1.772
5.0mm, Euro Plug, Vertical, Rear Wire Entry	11	395233011	395233311	395233411	395233511	395233611	395233711	395233811	395233911	395234011	395234111	395234211	395234311	395234411	55.00	2.165	50.00	1.969
5.0mm, Euro Plug, Vertical, Rear Wire Entry	12	395233012	395233312	395233412	395233512	395233612	395233712	395233812	395233912	395234012	395234112	395234212	395234312	395234412	60.00	2.362	55.00	2.165
5.0mm, Euro Plug, Vertical, Rear Wire Entry	13	395233013	395233313	395233413	395233513	395233613	395233713	395233813	395233913	395234013	395234113	395234213	395234313	395234413	65.00	2.559	60.00	2.362
5.0mm, Euro Plug, Vertical, Rear Wire Entry	14	395233014	395233314	395233414	395233514	395233614	395233714	395233814	395233914	395234014	395234114	395234214	395234314	395234414	70.00	2.756	65.00	2.559
5.0mm, Euro Plug, Vertical, Rear Wire Entry	15	395233015	395233315	395233415	395233515	395233615	395233715	395233815	395233915	395234015	395234115	395234215	395234315	395234415	75.00	2.953	70.00	2.756
5.0mm, Euro Plug, Vertical, Rear Wire Entry	16	395233016	395233316	395233416	395233516	395233616	395233716	395233816	395233916	395234016	395234116	395234216	395234316	395234416	80.00	3.150	75.00	2.953
5.0mm, Euro Plug, Vertical, Rear Wire Entry	17	395233017	395233317	395233417	395233517	395233617	395233717	395233817	395233917	395234017	395234117	395234217	395234317	395234417	85.00	3.346	80.00	3.150
5.0mm, Euro Plug, Vertical, Rear Wire Entry	18	395233018	395233318	395233418	395233518	395233618	395233718	395233818	395233918	395234018	395234118	395234218	395234318	395234418	90.00	3.543	85.00	3.346
5.0mm, Euro Plug, Vertical, Rear Wire Entry	19	395233019	395233319	395233419	395233519	395233619	395233719	395233819	395233919	395234019	395234119	395234219	395234319	395234419	95.00	3.740	90.00	3.543
5.0mm, Euro Plug, Vertical, Rear Wire Entry	20	395233020	395233320	395233420	395233520	395233620	395233720	395233820	395233920	395234020	395234120	395234220	395234320	395234420	100.00	3.937	95.00	3.740
5.0mm, Euro Plug, Vertical, Rear Wire Entry	21	395233021	395233321	395233421	395233521	395233621	395233721	395233821	395233921	395234021	395234121	395234221	395234321	395234421	105.00	4.134	100.00	3.937
5.0mm, Euro Plug, Vertical, Rear Wire Entry	22	395233022	395233322	395233422	395233522	395233622	395233722	395233822	395233922	395234022	395234122	395234222	395234322	395234422	110.00	4.331	105.00	4.134
5.0mm, Euro Plug, Vertical, Rear Wire Entry	23	395233023	395233323	395233423	395233523	395233623	395233723	395233823	395233923	395234023	395234123	395234223	395234323	395234423	115.00	4.528	110.00	4.331
5.0mm, Euro Plug, Vertical, Rear Wire Entry	24	395233024	395233324	395233424	395233524	395233624	395233724	395233824	395233924	395234024	395234124	395234224	395234324	395234424	120.00	4.724	115.00	4.528

SEE SHEET 1 EC NO: NEC2006-0310 DRWNL: LROTHAUS 2006/01/09 CHKD: C.YORK 2006/01/09 APPR: J.P.A.M.L.C.K 2006/01/10	QUALITY SYMBOLS ▽=0 ▽=0	GENERAL TOLERANCES (UNLESS SPECIFIED)		DIMENSION STYLE MM/IN		SCALE 4:1	DESIGN UNITS INCH	THIRD ANGLE PROJECTION	
		4 PLACES ± --- ±.0015 3 PLACES ± 0.038 ±.005 2 PLACES ± 0.13 ±.01 1 PLACE ± 0.3 ± ---	mm INCH DRAWN BY DATE LROTHAUS 12/6/05 CHECKED BY DATE C. YORK 01/06/06 APPROVED BY DATE	TITLE 5.0MM, EURO PLUG VERTICAL REAR WIRE ENTRY					
		DRAFT WHERE APPLICABLE MUST REMAIN WITHIN DIMENSIONS		MATERIAL NO. SEE CHART		DOCUMENT NO. SD-39523-001		SHEET NO. 2 OF 2	
		THIS DRAWING CONTAINS INFORMATION THAT IS PROPRIETARY TO MOLEX INCORPORATED AND SHOULD NOT BE USED WITHOUT WRITTEN PERMISSION							