

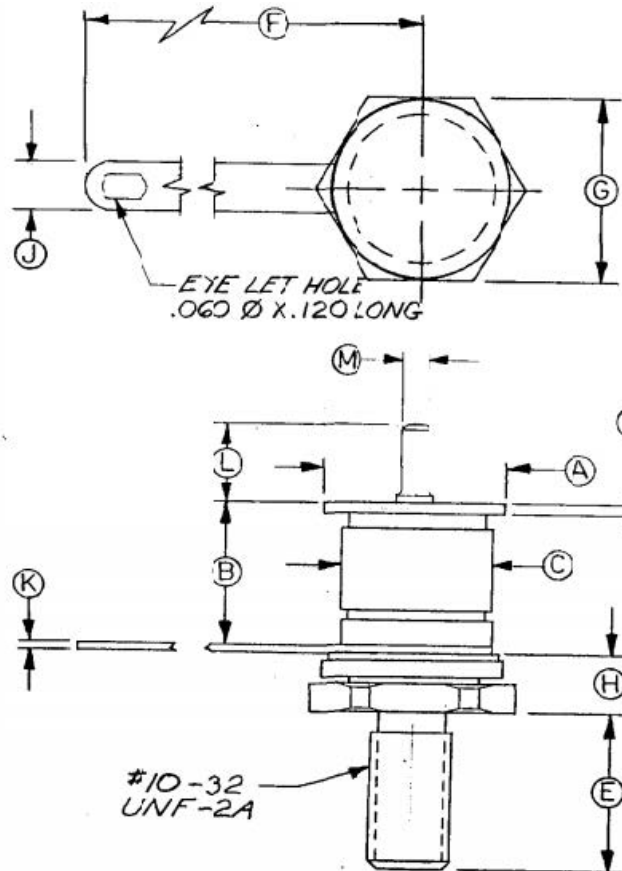
REVISIONS

REV

DESCRIPTION

2A

DWG INITIATED

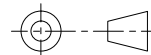


| DIM | INCHES | | MM | |
|-----|--------|------|-------|-------|
| | MIN. | MAX. | MIN. | MAX. |
| A | .468 | .485 | 11.9 | 12.3 |
| B | .373 | .395 | 9.47 | 10.0 |
| C | .390 | .400 | 9.91 | 10.2 |
| D | .028 | .042 | 0.71 | 1.07 |
| E | .422 | .452 | 10.7 | 11.5 |
| F | .805 | .820 | 20.4 | 20.8 |
| G | .490 | .500 | 12.4 | 12.7 |
| H | .148 | .170 | 3.76 | 4.32 |
| J | .120 | .130 | 3.05 | 3.30 |
| K | .022 | .026 | 0.559 | 0.660 |
| L | .190 | .205 | 4.83 | 5.21 |
| M | .060 | .065 | 1.52 | 1.65 |

UNLESS OTHERWISE SPECIFIED
INTERPRET DRAWING PER ASME Y14.5
DO NOT SCALE THIS DRAWING

UNLESS OTHERWISE SPECIFIED
DIMENSIONS ARE IN INCHES

NOTE: THIS DRW INCORPORATES
THIRD ANGLE PROJECTION



TOLERANCES ON

DECIMALS ANGLES

.X ± .1
.XX ± .02
.XXX ± .005
.XXXX ± .0005

±0.5°

UNLESS OTHERWISE SPECIFIED
63√ ALL OVER

MATERIAL

X

FINISH

X



MACOM Technology Solutions, Inc.
100 Chelmsford Street
Lowell, MA 01851

TITLE

Outline Drawing

SIZE

CAGE CODE

DRAWING NO.

A

55NN2

OD-S-1085

SCALE:

X/X

WEIGHT

/

SHEET 1 OF 1

M/A-COM Technology Solutions, INC.
CONFIDENTIAL INFORMATION SUBJECT TO NDA

The information contained in this document or material is the valuable and confidential property of M/A-COM Technology Solutions Holdings, Inc. and/or its subsidiaries or affiliates (collectively MACOM), provided to you subject to a non-disclosure agreement between you and MACOM solely for use in supporting MACOM's business as and to the extent MACOM authorizes in writing from time to time. This information shall be held in strictest confidence and shall not be reproduced, published, disclosed to others, or used for any purpose except as and to the extent specifically authorized by MACOM in a separate written agreement. If permission is granted for reproduction, this document or material shall be promptly returned to MACOM or destroyed upon request, completion of the use for which it was made available to recipient, or termination of MACOM's relationship with recipient, whichever first occurs.

| | |
|-------------|---------|
| X | X |
| NEXT ASSY | USED ON |
| APPLICATION | |