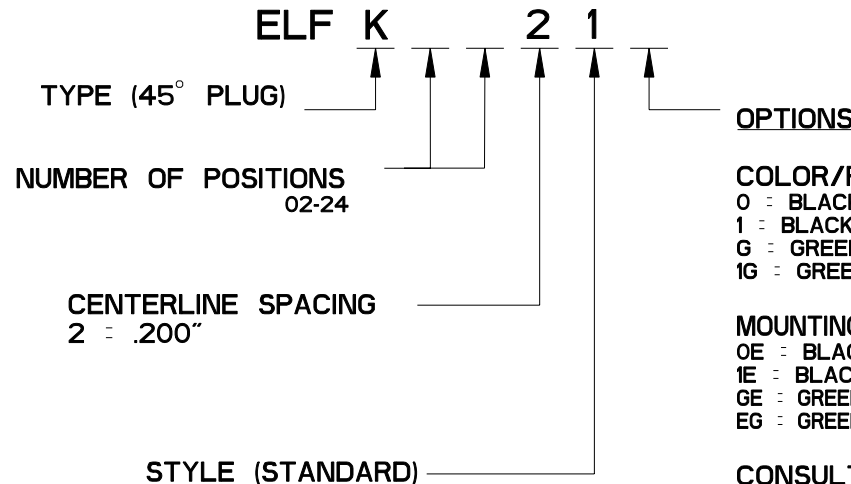


REV	ECN	APP'D
-	3600	JEC 12/11/98
A	4686	IQ 1/2/02
B	5137	

ELFK SERIES PART NUMBERING SCHEME



OPTIONS

COLOR/PLATING

- 0 = BLACK, TIN-LEAD (STANDARD)
- 1 = BLACK, SELECTIVE GOLD
- G = GREEN, TIN-LEAD
- 1G = GREEN, SEL. GOLD

MOUNTING EARS

- OE = BLACK, TIN-LEAD
- 1E = BLACK, SEL. GOLD
- GE = GREEN, TIN-LEAD
- EG = GREEN, SEL. GOLD

CONSULT PCD FOR PART NO. AND AVAILABILITY OF FOLLOWING OPTIONS:

- CUSTOM COLORS
- CUSTOM MARKING
- CUSTOM KEYING
- SELECTIVE CONTACT LOADING



RATINGS

CURRENT - 15A
VOLTAGE - 300V
U.L. FILE NO. E83421



RATINGS

CURRENT - PENDING
VOLTAGE - PENDING
CSA FILE NO. LR69703

DIN VDE 0627:1986
DIN VDE 0110-1:1989
EN 60947-1:1991
EN 60947-7-1:1992

CURRENT - PENDING
VOLTAGE - PENDING
TUV FILE NO. 20396

INSTALLATION RECOMMENDATIONS

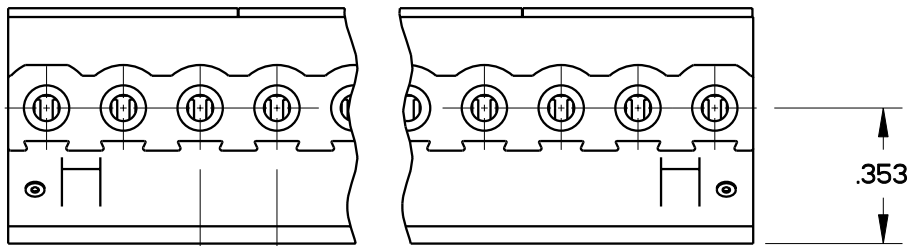
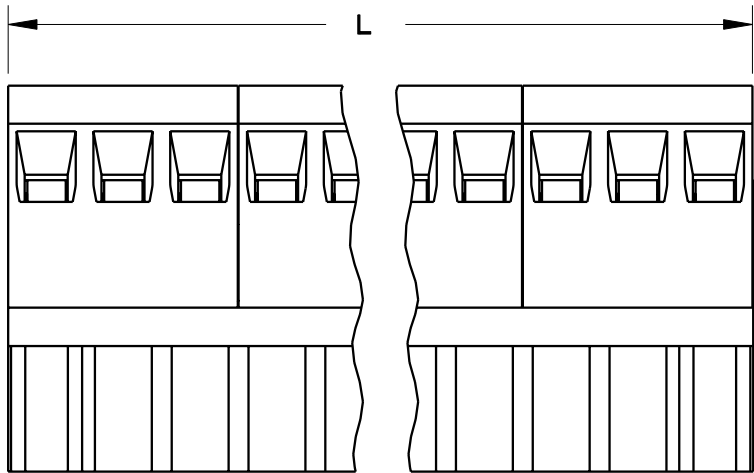
WIRE RANGE: AWG #14-26, STRANDED
OR SOLID; AWG #12 STRANDED
WIRE STRIP LENGTH: .310"
TIGHTENING TORQUE: 7 LB-IN.

MATERIALS:

HOUSING: PPO, UL 94 V-0
CONTACT: COPPER ALLOY, NICKEL FINISH
SCREW: STEEL, NICKEL FINISH
WIRE CLAMP: COPPER ALLOY, NICKEL FINISH

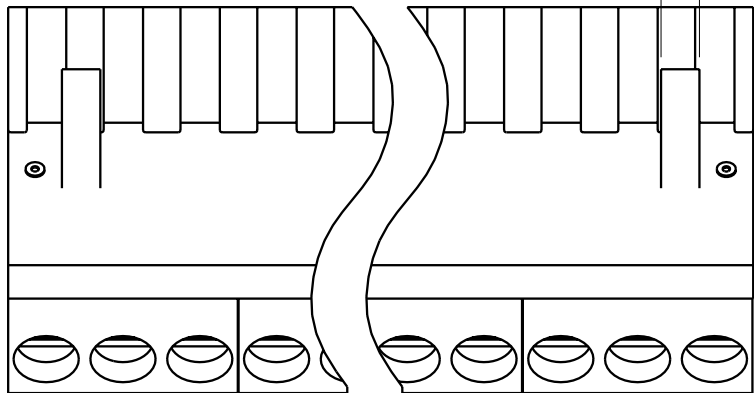
MAX OPERATING TEMPERATURE:
105°C

DIMENSIONS ANSI Y14.5M UNITS: INCHES Pro/E FILE	TOLERANCES .XX ±0.01 .XXX ±0.005 ANGLES ±2.0°	PROJECTION 	SPECIFICATION DRAWING ENGR D. MANTER 10-Dec-98		TITLE ELFK SERIES PLUG ASSEMBLY 45°
ORIGINAL STAMPED IN RED	<i>THIS DOCUMENT CONTAINS PROPRIETARY INFORMATION WHICH IS THE CONFIDENTIAL PROPERTY OF PCD, INC. PEABODY, MA, USA</i>	CHKD APPD J. CAHALY 12/11/98	SIZE A	DWG NO. ELFK02210	REV B
		CODE: 58982		SCALE: NONE	SHEET 1 OF 2

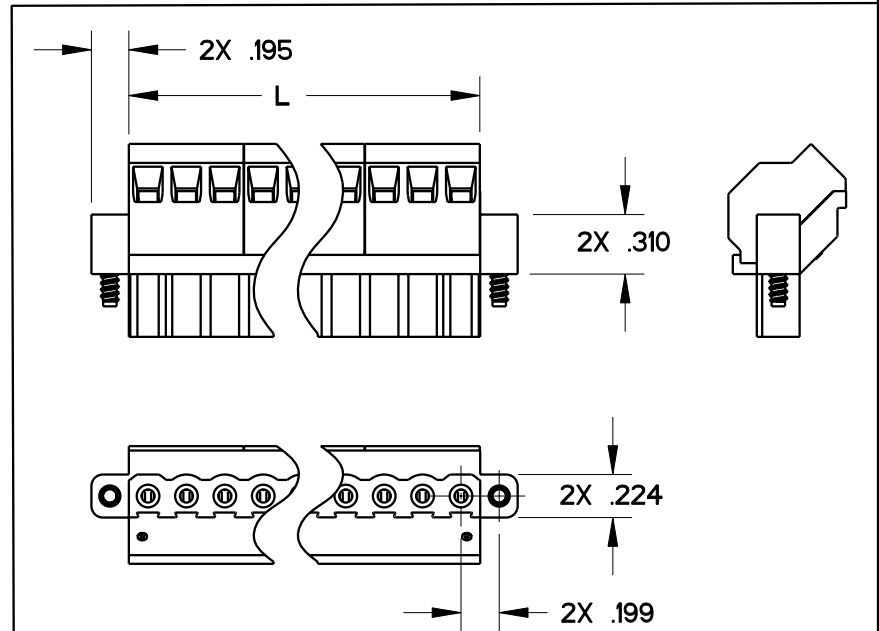
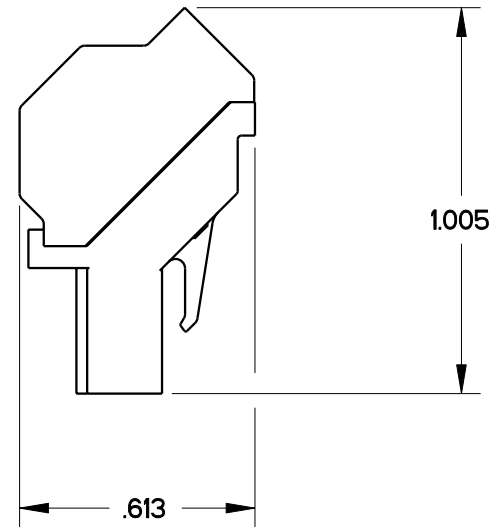


.200 TYP

2X .100
2X .140



L=NUM OF POS X CL SPACING



MOUNTING EARS CONFIGURATION

SIZE	DWG NO.	REV
A	ELFK02210	B
CODE: 58982	SCALE: NONE	SHEET 2 OF 2