

ES3AB THRU ES3JB

Super Fast Recovery Rectifier Diode

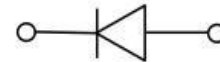
Features

- Low profile package
- Ideal for automated placement
- Glass passivated chip junction
- Super fast reverse recovery time
- High forward surge capability
- Meets MSL level 1, per J-STD-020,LF maximum peak of 260 °C



Typical Application

For use in high frequency rectification of power supply, inverters, converters, and freewheeling diodes for consumer and telecommunication.



Mechanical Data

- Package: DO-214AA(SMB)
Molding compound meets UL 94 V-0 flammability rating,RoHS-compliant
- Terminals: Tin plated leads, solderable per J-STD-002 and JESD22-B102
- Polarity: Cathode line denotes the cathode end

Maximum Ratings (Ta=25°C Unless otherwise specified)

PARAMETER	Symbol	Unit	Conditions	ES3								
				AB	BB	CB	DB	FB	GB	HB	JB	
Repetitive Peak Reverse Voltage	V_{RRM}	V		50	100	150	200	300	400	500	600	
Average Forward Current	$I_{F(AV)}$	A	60Hz Half-sine wave, Resistance load, $T_L=100^\circ\text{C}$	3.0								
Surge(Nonrepetitive)Forward Current	I_{FSM}	A	60HZ Half-sine wave, 1 cycle, $T_a=25^\circ\text{C}$	90								
Storage Temperature	T_{stg}	°C		-55 ~ +150								
Junction Temperature	T_j	°C		-55 ~ +150								

Electrical Characteristics (Ta=25°C Unless otherwise specified)

PARAMETER	Symbol	Unit	Conditions	ES3								
				AB	BB	CB	DB	FB	GB	HB	JB	
Peak Forward Voltage	V_{FM}	V	$I_F=3.0\text{A}$	0.95			1.3		1.7			
Peak Reverse Current	I_{RRM1}	μA	$V_{RM}=V_{RRM}$	$T_a=25^\circ\text{C}$								
	I_{RRM2}			$T_a=125^\circ\text{C}$								
Maximum reverse recovery time	T_{rr}	ns	$I_F=0.5\text{A}, I_R=1.0\text{A}, I_{rr}=0.25\text{A}$	35								
Thermal Resistance(Typical)	$R_{\theta J-A}$	°C/W	Between junction and ambient	47 ¹⁾								
	$R_{\theta J-L}$		Between junction and terminal	12 ¹⁾								

Notes:

¹⁾ Thermal resistance from junction to ambient and from junction to lead mounted on P.C.B. with 0.2" x 0.2" (5.0 mm x 5.0 mm) copper pad areas



ES3AB THRU ES3JB

■ Characteristics (Typical)

FIG1: Forward Current Derating Curve

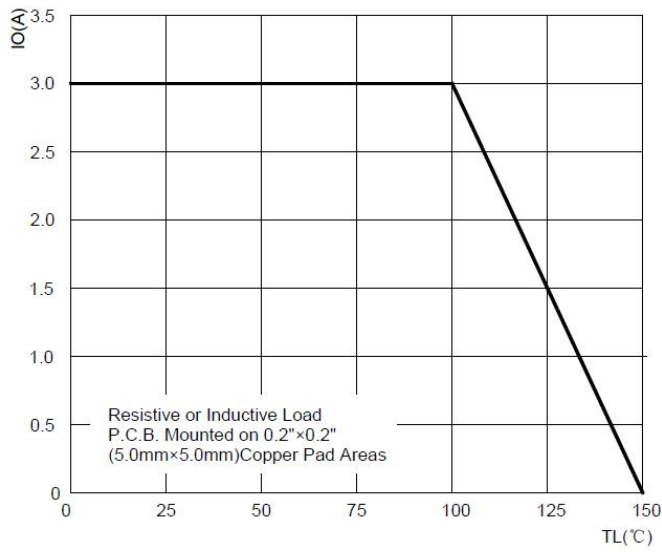


FIG2: Maximum Non-Repetitive Forward Surge Current

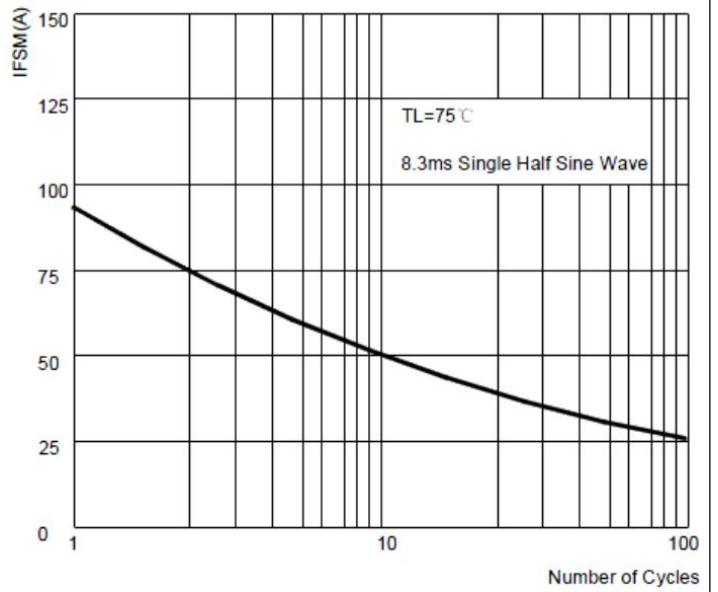


FIG3: Typical Forward Characteristics

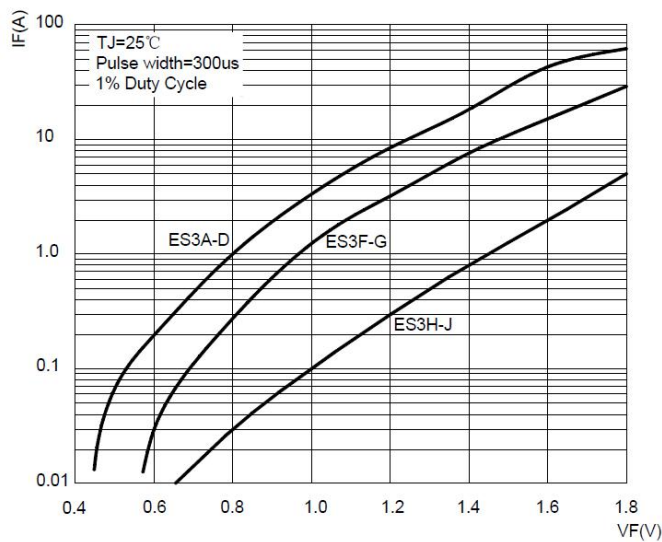


FIG4: Typical Reverse Characteristics

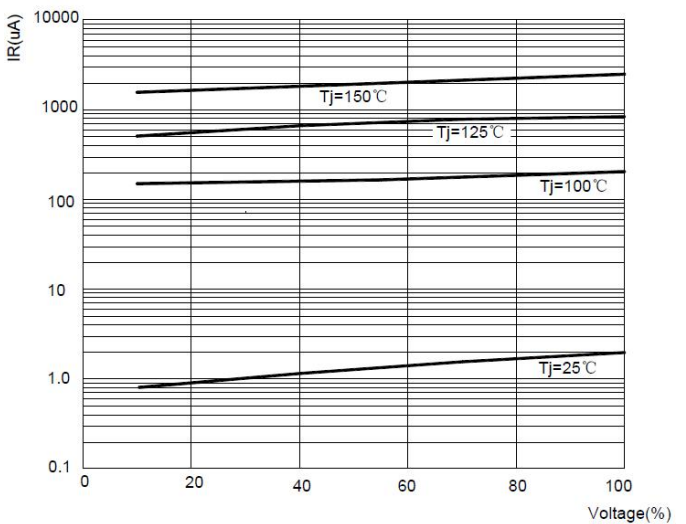
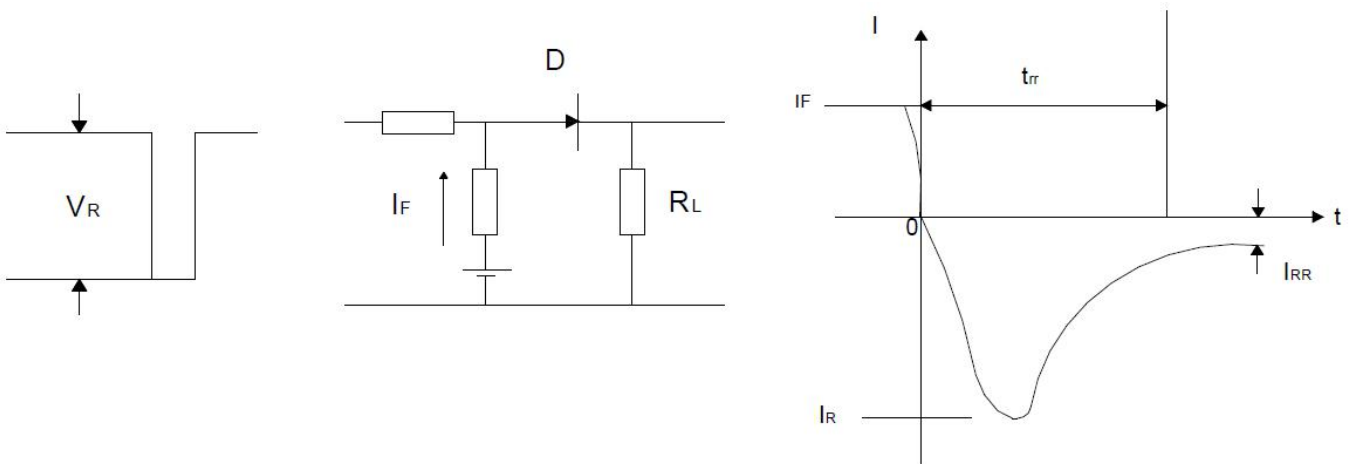


FIG5: Diagram of circuit and Testing wave form of reverse recovery time



ES3AB THRU ES3JB

Ordering Information (Example)

PREFERED	PACKAGE CODE	MINIMUM PACKAGE(pcs)	INNER BOX QUANTITY(pcs)	OUTER CARTON QUANTITY(pcs)	DELIVERY MODE
ES3AB~ES3JB	DO-214AC(SMB)	3000	6000	48000	13" reel

Outline Dimensions

