

SMD POWER INDUCTOR



PX11608 SERIES

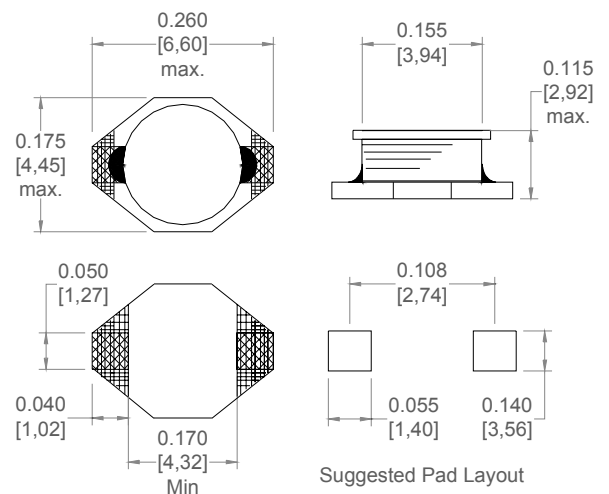


- RoHS Compliant Product
- Inductance test @ 100KHz, $0.1V_{RMS}$ @ 0ADC
- Add -M for inductance tolerance $\pm 20\%$ after the part no.
- I_{DC} : 10% inductance drop typical from its initial value at I_{DC}
- I_{RMS} : $\Delta 40^{\circ}C$ temperature rise max at I_{RMS}
- Operating Temperature: $-40^{\circ}C$ to $+85^{\circ}C$
- Marking: Value

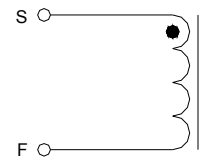
ELECTRICAL SPECIFICATION @ 25°C

| Part number | L $\pm 20\%$ (μH) | I_{DC} (A) | I_{RMS} (A) | R_{DC} MAX (Ω) |
|-------------|--------------------------------|-----------------|------------------|---------------------------------|
| PX11608- | | | | |
| 102 | 1.0 | 2.9 | 2.9 | 0.05 |
| 152 | 1.5 | 2.6 | 2.8 | 0.06 |
| 222 | 2.2 | 2.3 | 2.4 | 0.07 |
| 272 | 2.7 | 2.1 | 2.1 | 0.08 |
| 332 | 3.3 | 2.0 | 2.0 | 0.08 |
| 472 | 4.7 | 1.5 | 1.5 | 0.09 |
| 682 | 6.8 | 1.2 | 1.4 | 0.13 |
| 822 | 8.2 | 1.15 | 1.3 | 0.16 |
| 103 | 10 | 1.10 | 1.2 | 0.16 |
| 153 | 15 | 0.90 | 1.1 | 0.23 |
| 223 | 22 | 0.70 | 0.80 | 0.37 |
| 333 | 33 | 0.58 | 0.60 | 0.51 |
| 473 | 47 | 0.50 | 0.50 | 0.64 |
| 683 | 68 | 0.40 | 0.40 | 0.86 |
| 104 | 100 | 0.31 | 0.30 | 1.27 |
| 154 | 150 | 0.27 | 0.25 | 2.00 |
| 224 | 220 | 0.22 | 0.20 | 3.11 |
| 334 | 330 | 0.18 | 0.16 | 3.80 |
| 474 | 470 | 0.16 | 0.15 | 5.06 |
| 684 | 680 | 0.14 | 0.12 | 9.20 |
| 105 | 1000 | 0.10 | 0.07 | 13.8 |

Mechanical



Schematic



Dimensions

Unless otherwise specified, all tolerances are:

inch: .XX : ± 0.015 .XXX : ± 0.010
mm: X,X : $\pm 0,38$ X,XX : $\pm 0,25$

Product performance is limited to specified parameter. Data is subject to change without prior notice.

PX11608-XX
0602JW

2463 208th, Ste. 205
Torrance, CA 90501

Phone: (310)533-1455
Fax: (310)533-1853

<http://www.mpsind.com>
Email: sales@mpsind.com