

SPECIFICATIONS:

MATERIALS:

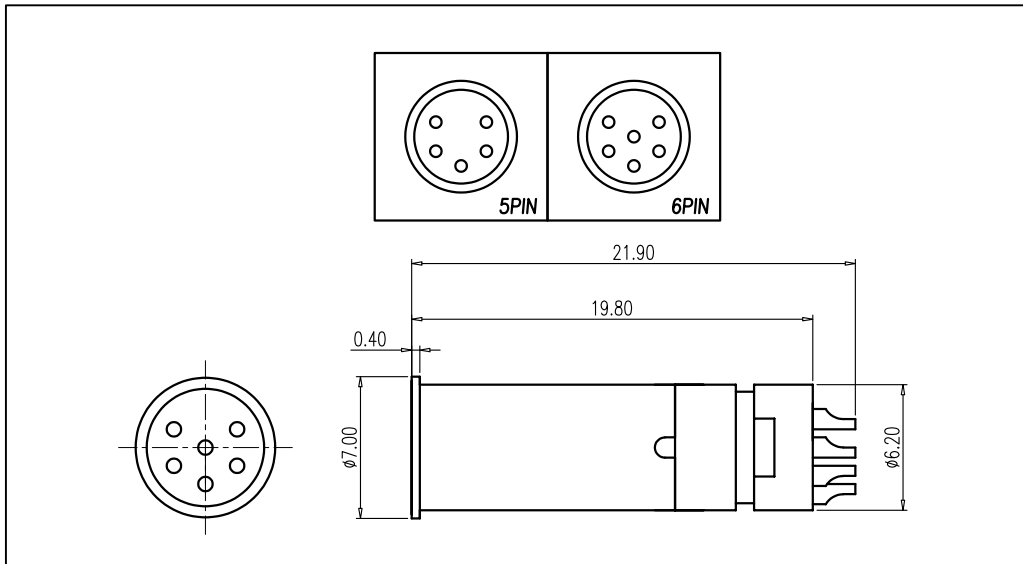
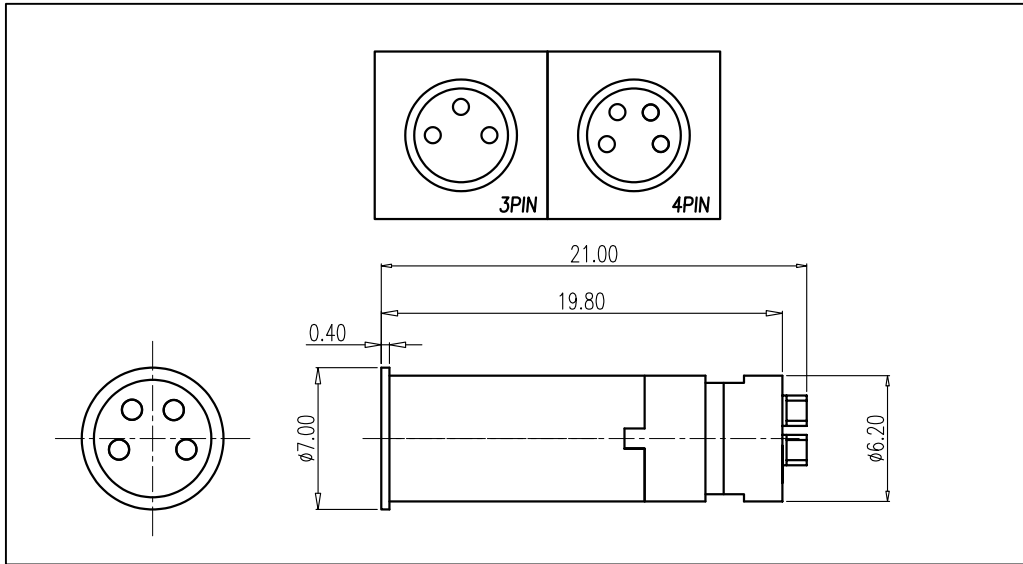
HOUSING: PBT, UL94 V-0, BLACK
 CONTACTS: 10u" GOLD PLATED BRASS
 NUT: SEE P/N KEY BELOW
 SHELL: NICKEL PLATED BRASS

ELECTRICAL:

RATED CURRENT: 1.5A (5/6P) / 3A (3/4P)
 RATED VOLTAGE: 30V (5/6P) / 60V (3/4P)
 INSULATION RESISTANCE: 100 MOhms MIN.
 CONTACT RESISTANCE: 10 mOhms MAX.

ENVIRONMENT:

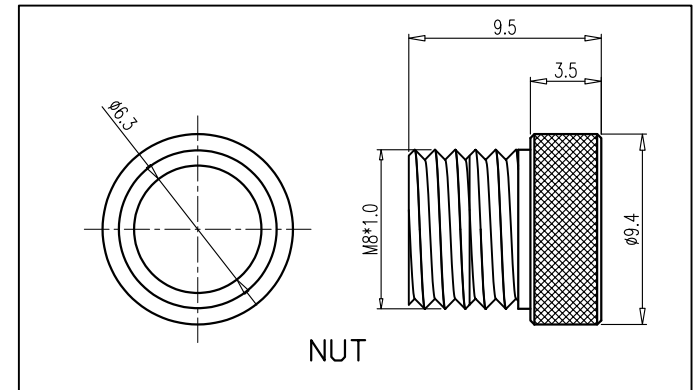
OPERATING TEMPERATURE: -40°C TO +85°C
 WATER PROOF: IP67



854-AXY-10YRLS4

- 3 = 3 POSITION
- 4 = 4 POSITION
- 5 = 5 POSITION
- 6 = 6 POSITION

3 = BRASS/NICKEL (B/N) SHELL & NUT
 T = (B/N) SHELL & STAINLESS STEEL NUT



NUT

RoHS COMPLIANT



THESE DRAWINGS AND SPECIFICATIONS ARE THE PROPERTY OF NorComp AND SHALL NOT BE REPRODUCED, COPIED OR USED AS THE BASIS FOR THE MANUFACTURE OR SALE OF APPARATUS WITHOUT WRITTEN PERMISSION.

DRAWN:
J. KADEL

DATE:
02/09/2021

UNITS = mm

DO NOT SCALE FROM DRAWING

NorComp

SCALE:
NTS

SHEET 1 OF 1

REV 2

DWG NO.

854-AXY-10YRLS4