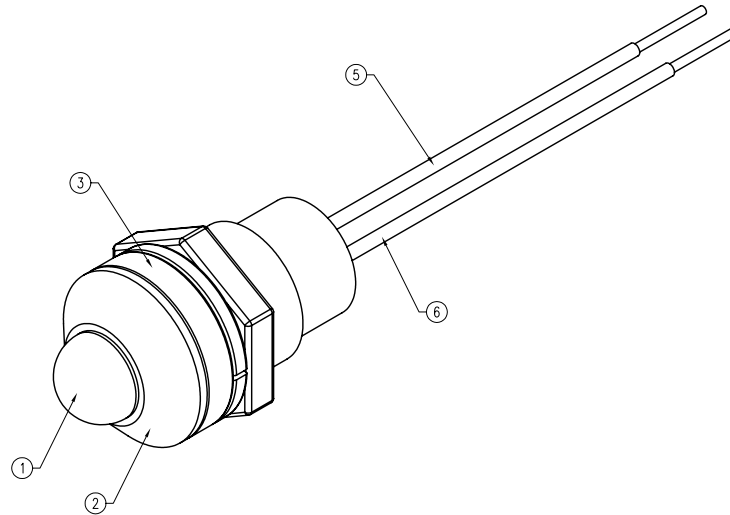
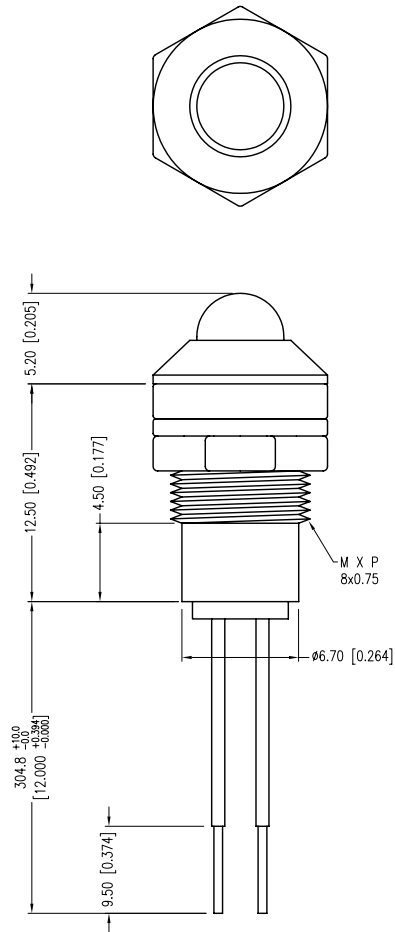


PART NUMBER	SSI-LXR3816GDQ6474	REV.	A
DATE	E.C.N. NUMBER AND REVISION COMMENTS		REV.
09.13.11	E.C.N. #10BRDR. & REDRAWN.		A



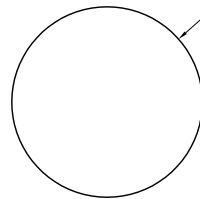
ELECTRO-OPTICAL CHARACTERISTICS T <sub>a</sub> =25°C Vf=5V					
PARAMETER	MIN	TYP	MAX	UNITS	TEST COND
PEAK WAVELENGTH		565		nm	
FORWARD VOLTAGE		5.0	7.0	Vf	
REVERSE VOLTAGE	5.0			Vr	I <sub>r</sub> =100μA
AXIAL INTENSITY		20		md	I <sub>f</sub> =20mA
VIEWING ANGLE		60		2x theta	
EMITTED COLOR:	GREEN				
LENS FINISH:	GREEN DIFFUSED				

LIMITS OF SAFE OPERATION AT 25°C		
PARAMETER	MAX	UNITS
PEAK FORWARD CURRENT*	7	V
STEADY CURRENT	12	mA
POWER DISSIPATION	310	mW
DERATE FROM 25°C	-1.2	mW/°C
OPERATING TEMP.	-40 TO +85	°C
STORAGE TEMP.	-40 TO +85	°C
SOLDERING TEMP.	+260	°C
2.0mm FROM BODY	3	SEC.

NOTES:

1. SSL-LX5093CD-5V, GREEN LED. TRIM TO 4mm.
2. SSI-LXR3816, CHROME HOUSING.
3. LXP-WA-3816, RUBBER GASKET.
4. SSH-LXH4815BSC, BUSHING. INSERT AND CRIMP.
5. ANODE LEAD: LXP-WST24RTOC, 24 AWG. TINNED OVERCOAT, RED INSULATION, CUT 312mm LONG, STRIP 9.5mm & 3mm.
6. CATHODE LEAD: LXP-WST24BTOC, 24 AWG. TINNED OVERCOAT, BLACK INSULATION, CUT 312mm LONG, STRIP 9.5mm & 3mm.
7. ASSEMBLE IN ORDER: LED, SILICON, THEN BUSHING.
8. SPLASH RESISTANT PER NEMA SPEC. 250 SECTION 6.7.

PANEL CUTOUT Ø8.20 [Ø0.323]



\*UNLESS OTHERWISE SPECIFIED TOLERANCES PER DECIMAL PRECISION ARE: X=±1 (±0.039), X.X=±0.5 (±0.020), X.XX=±0.25 (±0.010), X.XXX=±0.127 (±0.005). LEAD SIZE=±0.05 (±0.002), LEAD LENGTH=±0.75 (±0.030). MIN= +DECIMAL PRECISION MAX.= +0.00 -DECIMAL PRECISION



290 E. HELEN ROAD  
PALATINE, IL 60067-6976  
PHONE: +1.847.359.2790  
FAX: +1.847.359.6538  
WEB: WWW.LUMEX.COM  
MEMBER OF ITW PHOTONICS GROUP

T-5mm 565nm GREEN LED PANEL INDICATOR, 5 VOLT, GREEN DIFFUSED LENS, 12" WIRE LEADS, SPLASH PROOF.

\*\*THE SPECIFICATIONS MAY CHANGE AT ANY TIME WITHOUT NOTICE DUE TO NEW MATERIALS OR PRODUCT IMPROVEMENT.\*\*

CONFIDENTIAL INFORMATION  
THE INFORMATION CONTAINED IN THIS DOCUMENT IS THE PROPERTY OF LUMEX INC. EXCEPT AS SPECIFICALLY AUTHORIZED IN WRITING BY LUMEX INC., THE HOLDER OF THIS DOCUMENT SHALL KEEP ALL INFORMATION CONTAINED HEREIN CONFIDENTIAL AND SHALL PROTECT SAME IN WHOLE OR IN PART FROM DISCLOSURE AND DISSEMINATION TO ALL THIRD PARTIES.

DATE:	09.13.11	DRAWN BY:	AB
PAGE:	1 OF 1	CHKD BY:	KF
SCALE:	NTS	APRVD BY:	KF
UNIT:	mm [INCH]		Ⓟ