

## Field-mounted Two-wire Signal Conditioners 6-UNIT

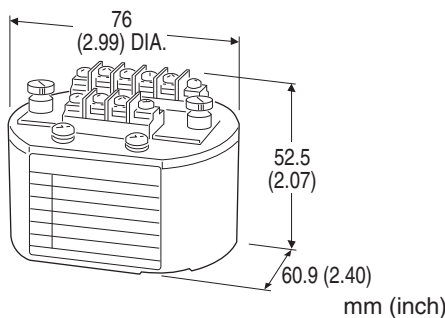
### CT TRANSMITTER

#### Functions & Features

- Converting an alternating current from a current transformer into an isolated 4 - 20 mA DC signal
- Minimal ripple
- True RMS sensing
- Rugged enclosure

#### Typical Applications

- Centralized monitoring and control of motors, pumps or heaters by DCS
- Monitoring power line and power supply current



### MODEL: 6CT-[1]

#### ORDERING INFORMATION

- Code number: 6CT-[1]
- Specify a code from below for [1].  
(e.g. 6CT-1)
- Mounting adapter (e.g. surface mounting adapter plate, model: A-01)
- Note: When a mounting adapter is required, specify mounting adapter. Not included without specifying.

#### [1] INPUT

##### Current

- 1: 0 - 1 A AC
- 5: 0 - 5 A AC

#### RELATED PRODUCTS

- Outdoor enclosure (model: 6BX-E)

#### PACKAGE INCLUDES...

- Mounting adapter  
surface mounting adapter plate (model: A-01)  
Spring clip (model: A-02)  
DIN rail mounting plate (model: A-31)

Note: When a mounting adapter is required, specify mounting adapter. Not included without specifying.  
When using in combination with outdoor enclosure (model: 6BX-E), use a spring clip (model: A-02).

#### GENERAL SPECIFICATIONS

**Connection:** M3 screw terminals (torque 0.6 N·m)

**Screw terminal:** Nickel-plated steel

**Housing material:** Diecast aluminum

**Isolation:** Input to output

**Input waveform:** Up to 15 % of 3rd harmonic content

**Zero adjustment:** -5 to +5 % (behind the access cover)

**Span adjustment:** 95 to 105 % (behind the access cover)

#### INPUT SPECIFICATIONS

**Frequency:** 50 or 60 Hz

**Input burden:** 0.5 VA maximum

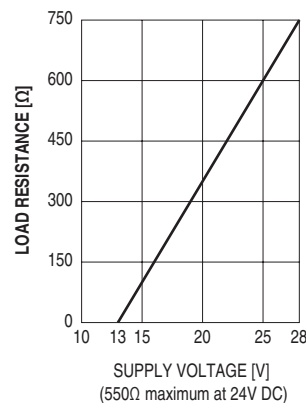
**Overload capacity:** 1000 % of rating for 3 sec., 200 % for 10 sec., 120 % continuous

**Operational range:** 0 - 120 % of rating

#### OUTPUT SPECIFICATIONS

**Output:** 4 - 20 mA DC

**Load resistance vs. supply voltage:** Load Resistance ( $\Omega$ ) =  
(Supply Voltage (V) - 13 (V))  $\div$  0.02 (A)  
(including leadwire resistance)



#### INSTALLATION

**Supply voltage:** 13 - 28 V DC

**Operating temperature:** -5 to +70°C (23 to 158°F)

**Operating humidity:** 30 to 90 %RH (non-condensing)

**Mounting:** DIN rail with mounting plate A-31; surface mounting with adapter plate A-01; spring clip A-02 for 3-inch hub

**Weight:** 220 g (0.49 lb)

## PERFORMANCE in percentage of span

Accuracy:  $\pm 0.3\%$

Temp. coefficient:  $\pm 0.03\%/^{\circ}\text{C}$  ( $\pm 0.02\%/^{\circ}\text{F}$ )

Response time:  $\leq 0.5$  sec. (0 - 90 %)

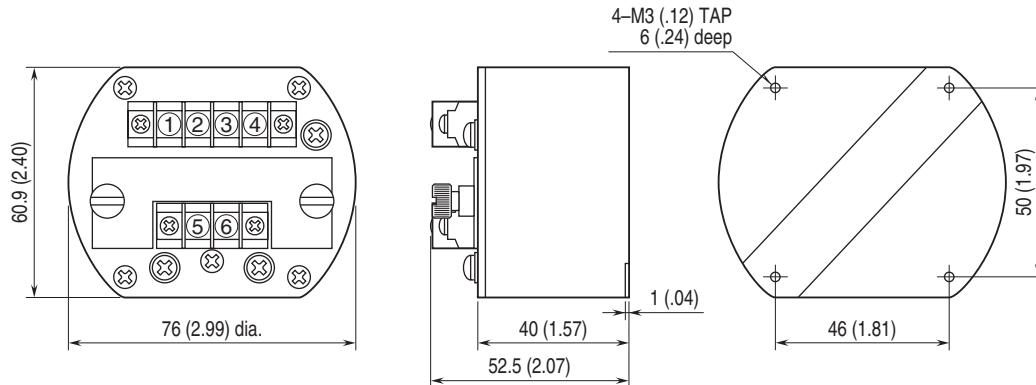
Ripple: 0.5 %p-p max. (100/120 Hz)

Insulation resistance:  $\geq 100\ \text{M}\Omega$  with 500 V DC

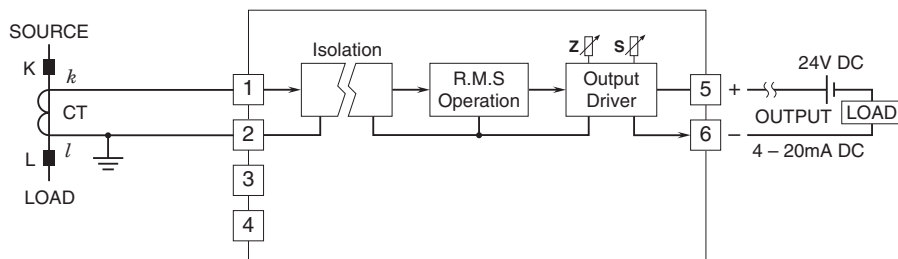
Dielectric strength: 2000 V AC @ 1 minute (input to output)

1500 V AC @ 1 minute (input or output to ground)

## EXTERNAL DIMENSIONS & TERMINAL ASSIGNMENTS unit: mm (inch)



## SCHEMATIC CIRCUITRY & CONNECTION DIAGRAM



Specifications are subject to change without notice.