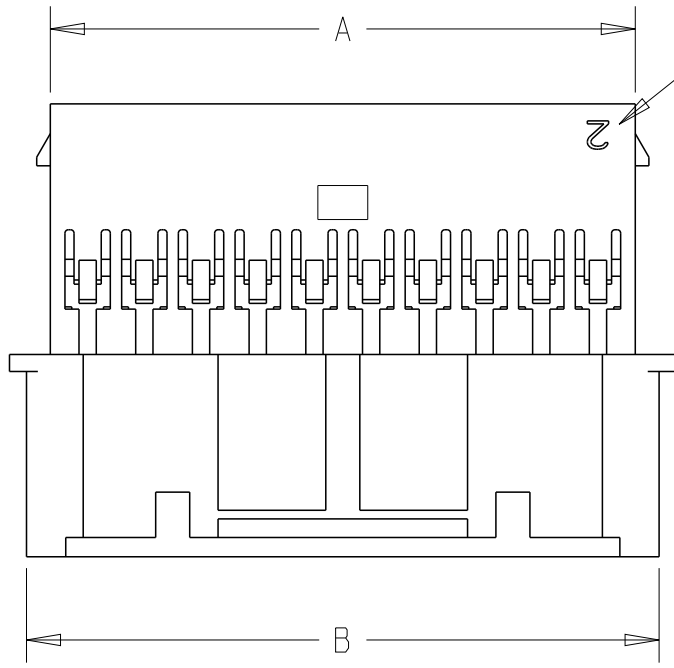


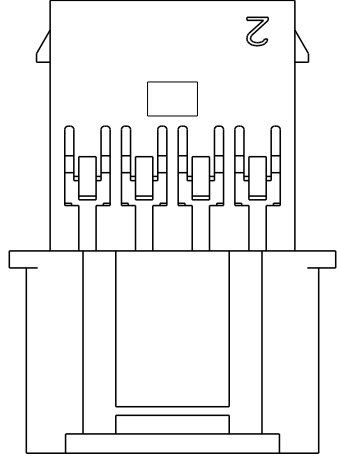
THIS DRAWING IS UNPUBLISHED. RELEASED FOR PUBLICATION 20  
 © COPYRIGHT 20 BY - ALL RIGHTS RESERVED.

LOC		DIST		REVISIONS			
P	LTR	DESCRIPTION		DATE	DWN	APVD	
	B	REVISED PER ECR-15-006219		30APR2015	NK	JR	

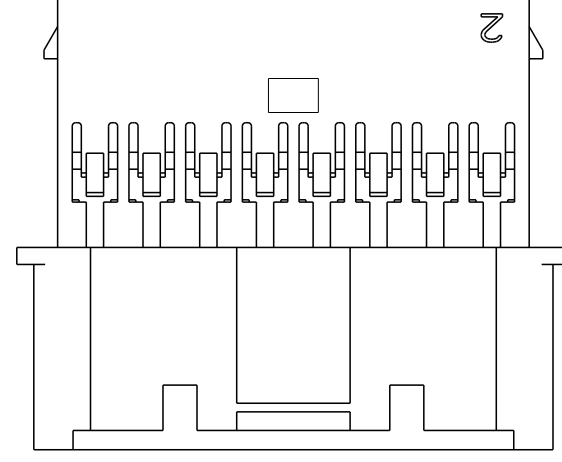


1-1969593-8 THROUGH 4-1969593-0  
DOUBLE LATCH

CIRCUIT #2

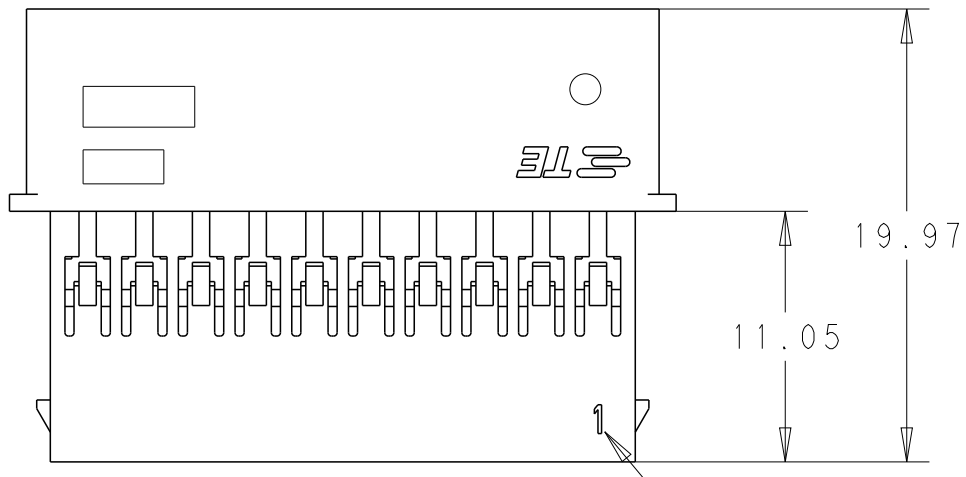
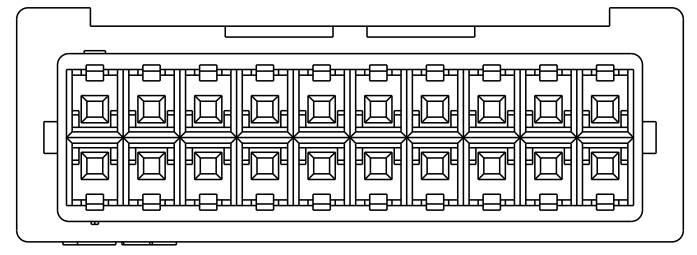
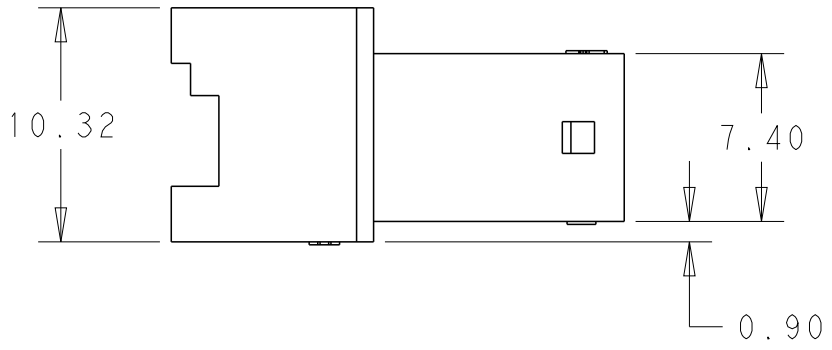
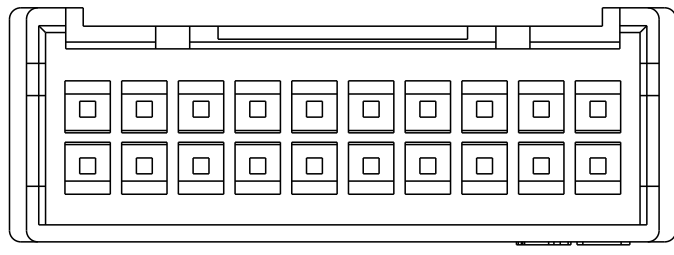


1969593-8 & 1-1969593-0  
SINGLE LATCH W/O CUTOUTS

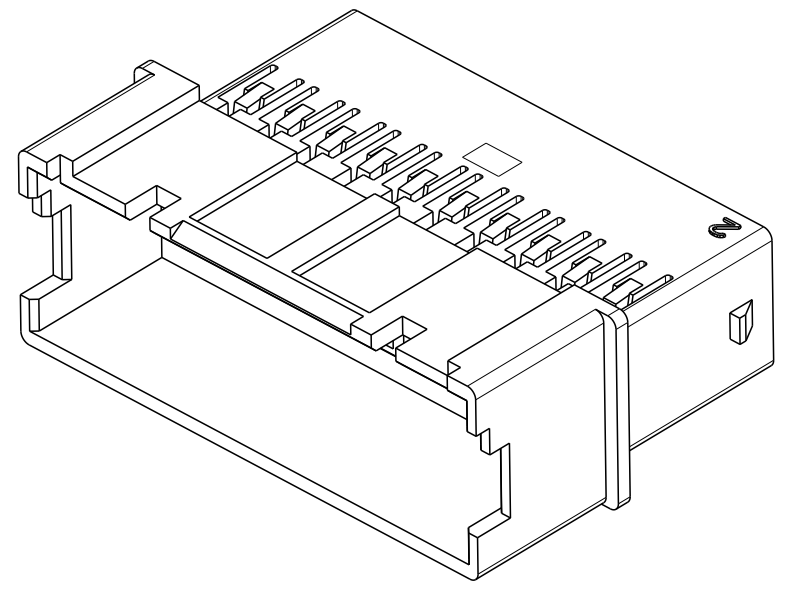


1-1969593-2, 1-1969593-4 & 1-1969593-6  
SINGLE LATCH W/ CUTOUTS

1. MATERIAL: NYLON UL94V-0, FLAME RETARDANT, COLOR: NATURAL
2. PARTS TESTED TO IEC 60695-2-11 AND IS COMPLIANT TO IEC 60335-1.
3. HOUSING, MATERIAL MEETS MINIMUM GLOW WIRE FLAMMABILITY INDEX OF 850°C PER IEC 60695-2-12 AND MINIMUM GLOW WIRE IGNITION TEMP OF 775°C PER IEC 60695-2-13.
4. ACCEPTS TE PIN CONTACTS P/N'S 2238007-( ) & 2238008-( )
5. HOUSING ACCEPTS OPTIONAL TPA P/N'S 1969541-( )
6. MATES WITH TE PLUG HOUSINGS P/N'S 1969567-( )



CIRCUIT #1



40	52.89	50.79	4-1969593-0
38	50.39	48.29	3-1969593-8
36	47.89	45.79	3-1969593-6
34	45.39	43.29	3-1969593-4
32	42.89	40.79	3-1969593-2
30	40.39	38.29	3-1969593-0
28	37.89	35.79	2-1969593-8
26	35.39	33.29	2-1969593-6
24	32.89	30.79	2-1969593-4
22	30.39	28.29	2-1969593-2
20	27.89	25.79	2-1969593-0
18	25.39	23.29	1-1969593-8
16	22.89	20.79	1-1969593-6
14	20.39	18.29	1-1969593-4
12	17.89	15.79	1-1969593-2
10	15.39	13.29	1-1969593-0
8	12.89	10.79	1969593-8
POS	DIM.B	DIM.A	PART NO.

THIS DRAWING IS A CONTROLLED DOCUMENT.

DWN: A, NOEL, 03OCT2012  
 CHK: -  
 APVD: -

DIMENSIONS: mm  
 TOLERANCES UNLESS OTHERWISE SPECIFIED:  
 0 PLC ±  
 1 PLC ±  
 2 PLC ±0.25  
 3 PLC ±  
 4 PLC ±  
 ANGLES ±  
 FINISH

MATERIAL: SEE NOTES  
 SEE NOTES

PRODUCT SPEC: 108-2418  
 APPLICATION SPEC: 114-13315  
 WEIGHT: -

Customer Drawing

SCALE: 3:1  
 SHEET: 1 OF 1  
 REV: B

TE Connectivity  
 EP 2.5 DUAL ROW, RECEPTACLE HSG  
 WIRE TO WIRE, GLOW WIRE

SIZE: A2  
 CAGE CODE: 00779  
 DRAWING NO: C-1969593