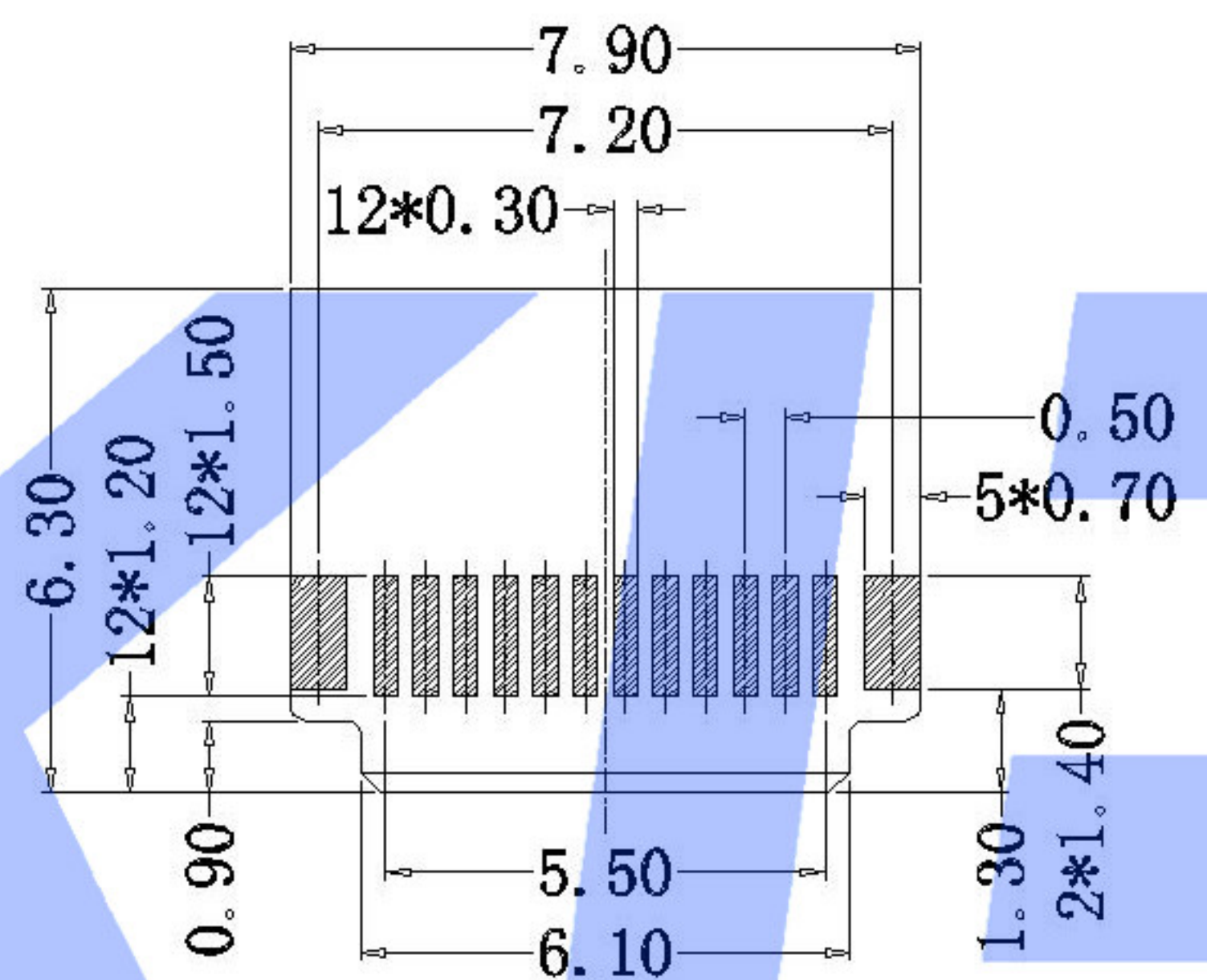
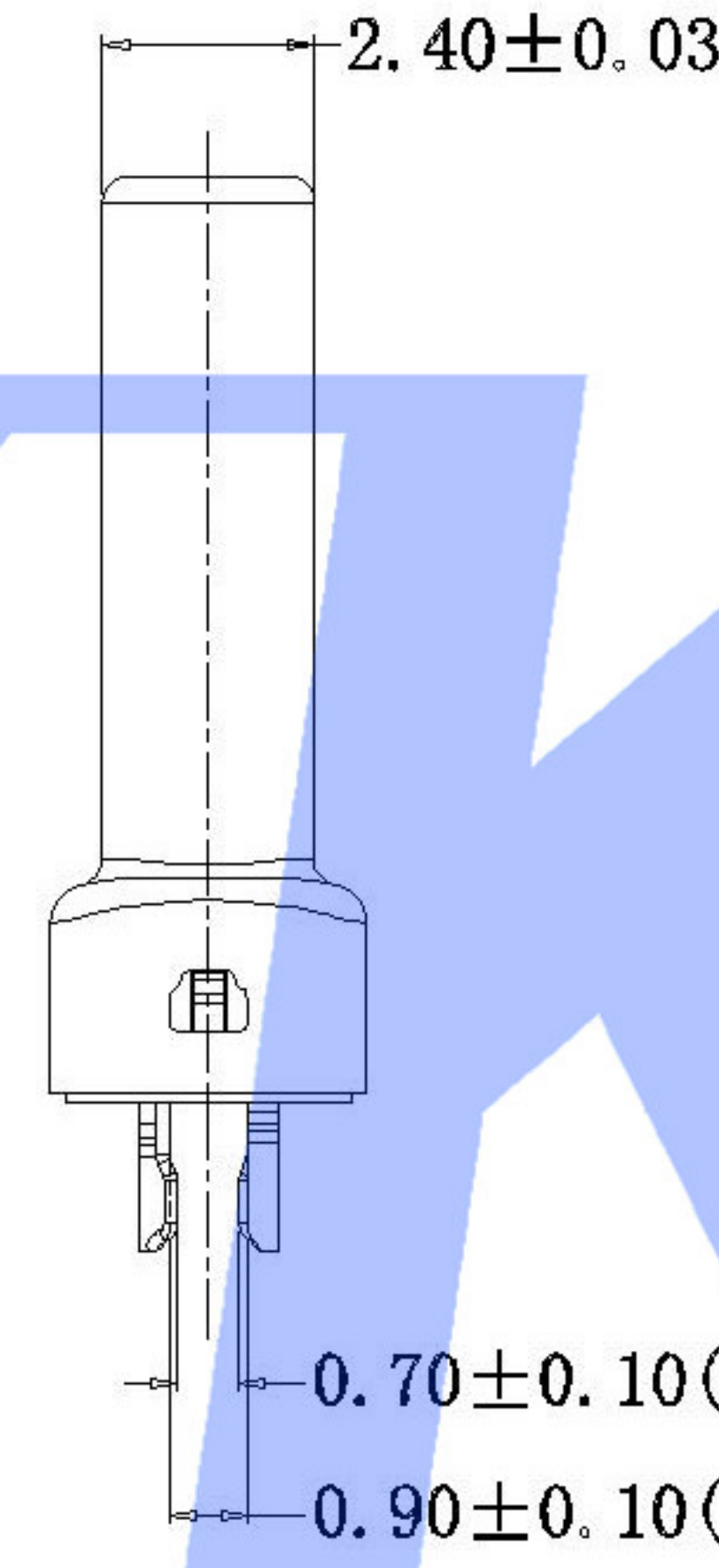
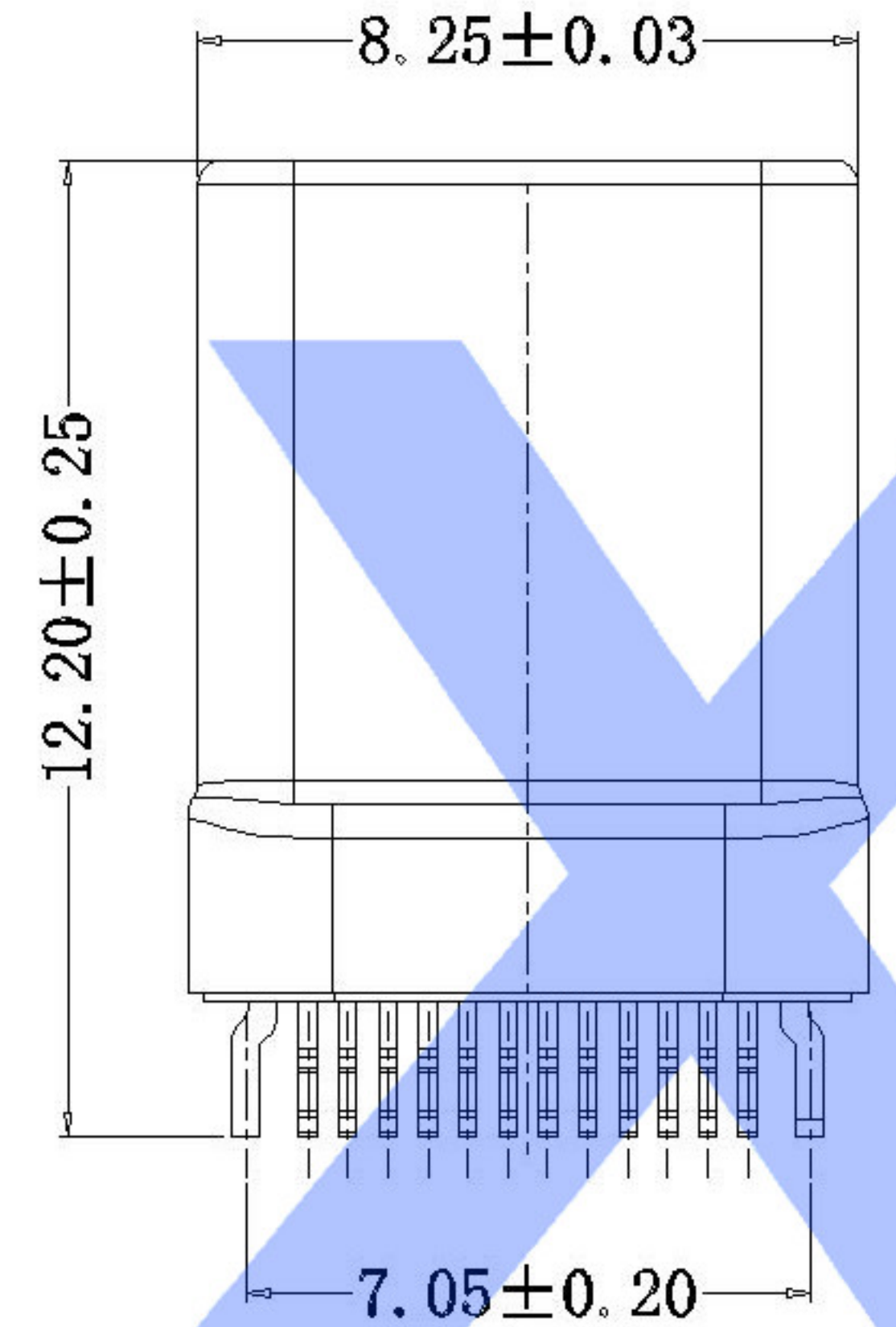
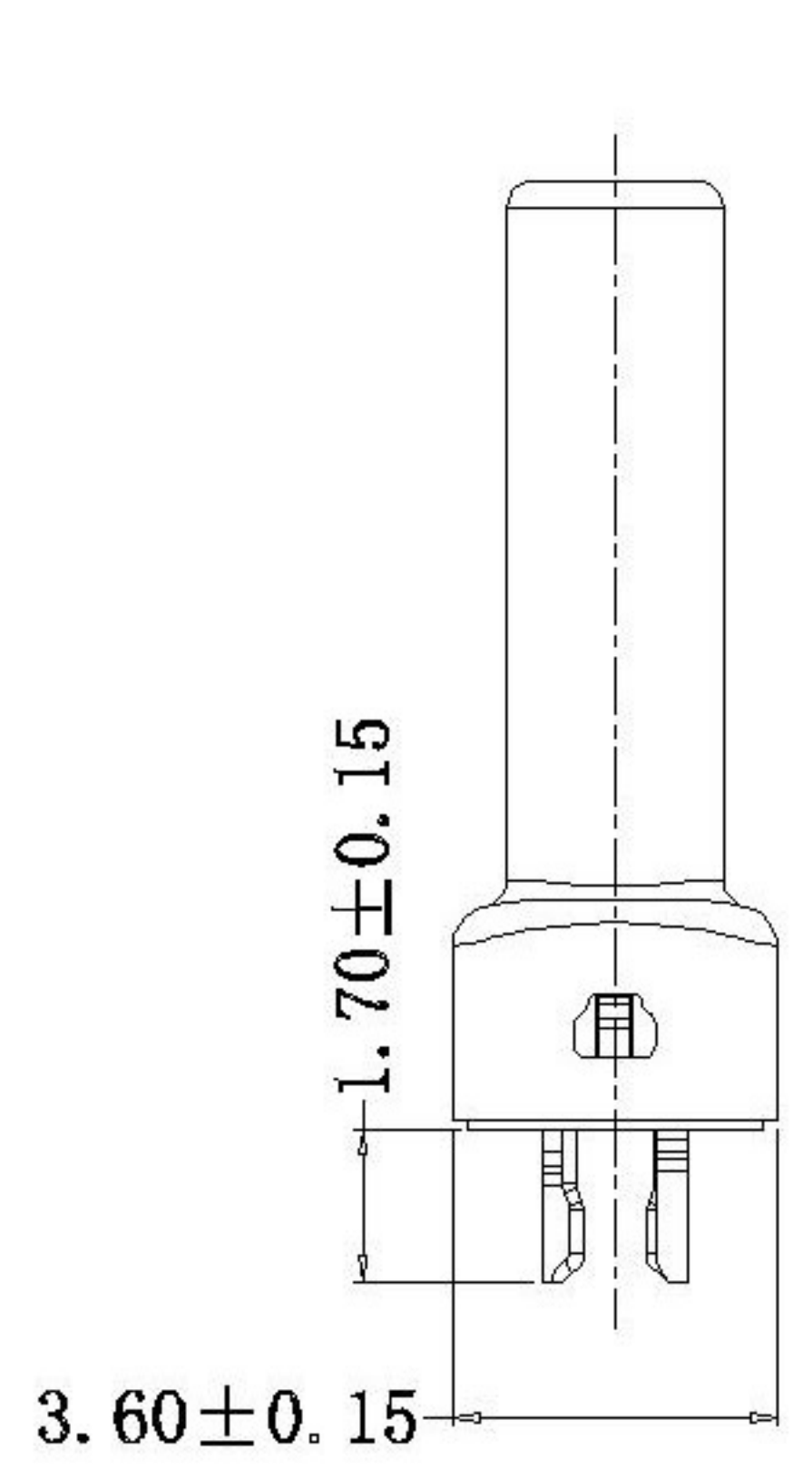


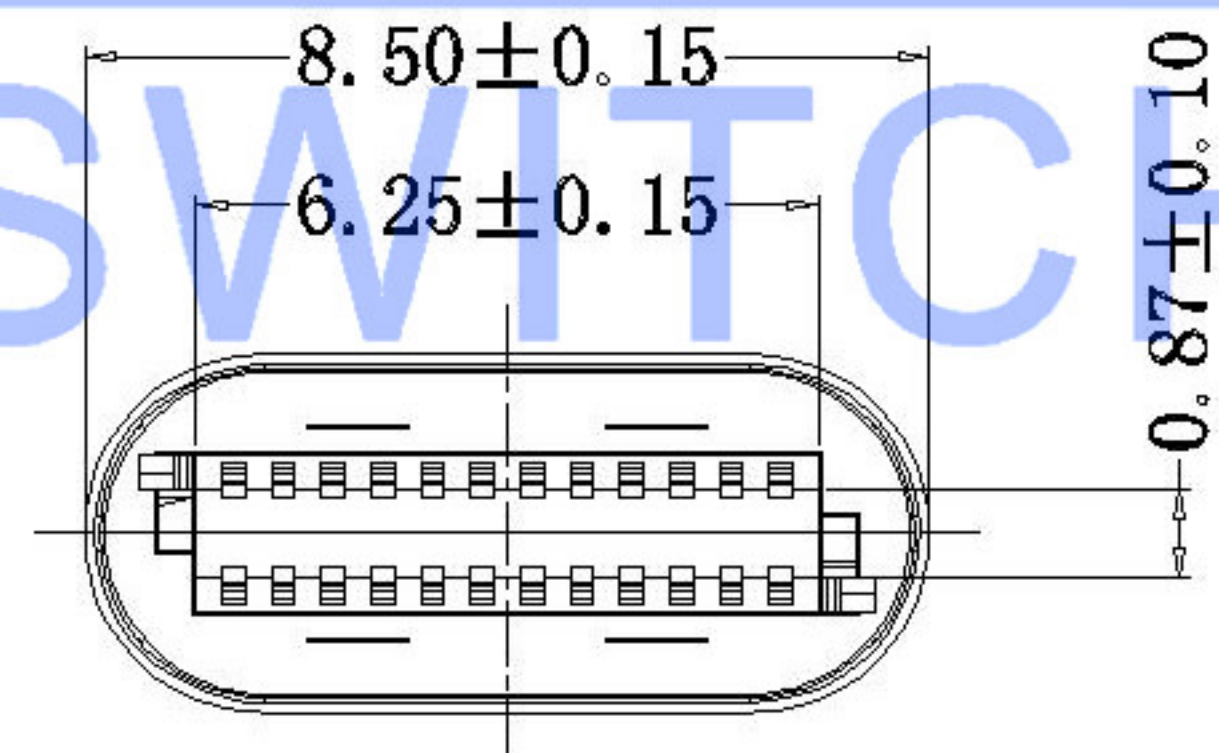
PIN DEFINE TABLE			
PIN	SIGNAL	PIN	SIGNAL
A12	GND	B1	GND
A11	RX2+	B2	TX2+
A10	RX2-	B3	TX2-
A9	VBUS	B4	VBUS
A8	SBU1	B5	VCONN
A7	D-	B6	
A6	D+	B7	
A5	CC	B8	SBU2
A4	VBUS	B9	VBUS
A3	TX1-	B10	RX1-
A2	TX1+	B11	RX1+
A1	GND	B12	GND



Material  
 Housing Material: High temperature thermoplastic UL 94V-0  
 Contact Terminal: High Grade Copper Alloy  
 Metallic Shell: Stainless Steel  
 Gnd Latch: Stainless Steel  
 Plating  
 Data Contact  
 Underplating: 50μ" Min. Nickel  
 Contact Plating: 1μ" Gold  
 Solder Area: 80μ" Matte Tin  
 Shell  
 Metallic Shell: 50μ" Min. Nickel  
 Cover Shell  
 Metallic Shell: 80μ" Min. Nickel  
 Inner Ground Cover Shell  
 Metallic Shell: 50μ" Min. Nickel  
 Electrical  
 Voltage Rating: 20V DC  
 Current Rating: Vbus pins collectively 5.00A, GND pins collectively 6.25A, B5 pin 1.25A, Other pins 0.25A per pin.  
 Contact Resistance: 40mΩ Max.  
 Insulation resistance: 100 MΩ MIN.  
 Dielectric withstanding voltage: 100V AC/Minute  
 Mechanical  
 Durability: 10,000 cycles

# SWITCH CONNECTOR

## U261-24XN-4BS60



- 1: Au 1U"
- 2: Au 3U"
- 5: Au 15U"
- 6: Au 30U"
- 1: PBT
- 2: PA6T
- 3: PA9T
- 4: LCP

MARK	DESCRIPTION	DATE	REVISED	APPROVED	UNSPECIFIED TOLERANCES	DSND	DATE	SCALE: N/A	MODEL TYPE: 3.1 TYPE C
ΔX					ANGLAR ±5°	DWN	DATE	VIEW:	PART NO.:
ΔX					L ≤ 4 ±0.2	CHKD	DATE	UNIT: mm	DWG NO.: U261-24XN-4BS60
ΔX					4 < L ≤ 16 ±0.3	APPD	DATE	SIZE: A4	
ΔX					16 < L ≤ 63 ±0.4	XKB INDUSTRIAL PRECISION CO., LIMITED			
ΔX					L > 63 ±0.5				