

PLEASE CHECK WWW.MOLEX.COM FOR LATEST PART INFORMATION

Part Number: [0505587612](#)
Status: **Active**
Description: Ring Tongue Terminal for 2 AWG, Closed Uninsulated Brazed Barrel, Stud Size 1/4" (M6), Oxygen-Free Copper, Length 38.00mm (1.496")

Documents:

[Drawing \(PDF\)](#) [RoHS Certificate of Compliance \(PDF\)](#)
[Product Specification PS-50555-001 \(PDF\)](#)

General

Product Family	Ring and Spade Terminals
Series	50558
Crimp Quality Equipment	Yes
Mil-Spec	N/A
Product Name	R (Ring)
Type	Ring

Physical

Barrel Type	Closed - Brazed
Insulation	None
Material - Plating Mating	Tin
Packaging Type	Bag
Plating min: Mating (µin)	40
Plating min: Mating (µm)	1
Plating min: Termination (µin)	40
Plating min: Termination (µm)	1
Stud Size	1/4" (M6)
Termination Interface: Style	Crimp or Compression
Wire Size AWG	2
Wire Size mm ²	26.66 - 42.42

Material Info

Reference - Drawing Numbers

Product Specification	PS-50555-001
Sales Drawing	SD-50558-001



image - Reference only

Series

EU RoHS

ELV and RoHS Compliant

REACH SVHC

Not Reviewed

Halogen-Free

Status

Not Reviewed

China RoHS



Need more information on product environmental compliance?

Email productcompliance@molex.com
 For a multiple part number RoHS Certificate of Compliance, [click here](#)

Please visit the [Contact Us](#) section for any non-product compliance questions.

Search Parts in this Series

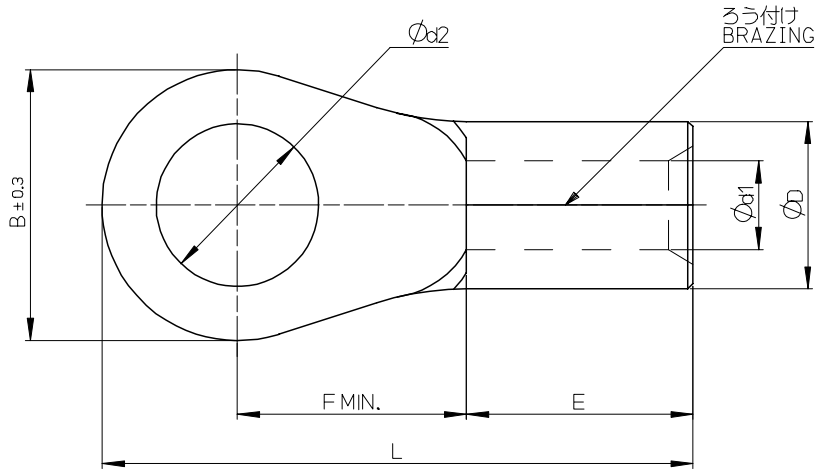
[50558Series](#)

Application Tooling | FAQ

Tooling specifications and manuals are found by selecting the products below. Crimp Height Specifications are then contained in the Application Tooling Specification document.

Japan

Description	Product #
Battery Type Hand Crimper For JIS Terminal	0573439004

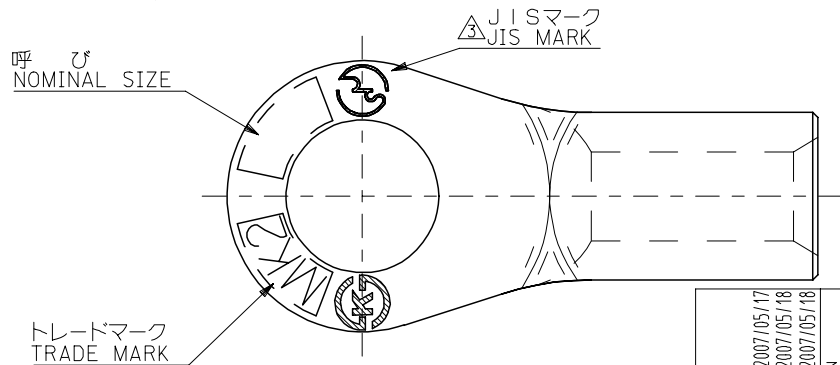
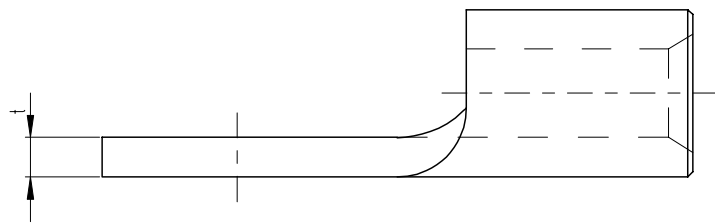


注記 NOTES

- 材質 MATERIAL
 端子：無酸素銅、錫めっき
 TERMINAL: OXYGEN-FREE COPPER, TIN PLATING
 ろう付け部：りん銅ろう
 PART OF BRAZING : COPPER PHOSPHORUS BRAZING FILLER METALS
- 適用電線 APPLICABLE WIRE RANGE

単線 SOLID WIRE	撚線 STRANDED WIRE
5.81~7.34 mm	26.66~42.42 mm ²

△ JIS 認定品にのみ刻印。
 DIE STAMPED MARK IS ALLOWED ONLY
 FOR JIS FILED PRODUCTS.



	1.8 ^{+0.15} _{-0.1}	11.6 ^{+0.2}	42 ^{+0.5}	14.6	13.2 ^{+0.4}	9.4 ^{+0.3}	13.3 ^{+0.5} _{-0.2}	22	38	11	50558-7912	
		5.4 ^{+0.2}		10.1						5	50558-7812	
		10.6 ^{+0.2}	38 ^{+0.5}	12.1						16	S10	50558-7712
		6.5 ^{+0.2}		5.4 ^{+0.2}						S6	50558-7612	
JIS	1.8 MN	13 ^{+0.4} ₀	43 MAX	17.5	12.5 MN	9.4 ^{+0.2}	13.3 ^{+0.5} _{-0.2}	22	38	12	50558-7412	
		10.5 ^{+0.4} ₀		14.5						10	50558-7312	
		8.4 ^{+0.4} ₀	13	8						50558-7212		
	1.8 ^{+0.15} _{-0.1}	8.5 ^{+0.2}	38 ^{+0.5}	12.1	13.2 ^{+0.4}	9.4 ^{+0.3}	13.3 ^{+0.5} _{-0.5}	16	38	S8	50558-7112	
		6.5 ^{+0.2}		42 ^{+0.5}						10.1	22	6
△	t	Ød2	L	F	E	Ød1	ØD	B	呼称 NOMINAL SIZE	ENG. NO.		

RELEASED EC NO: J2007-0312 DRW: H.YAJIMA 2007/05/17 CHK: K.KASAHARA 2007/05/18 APPR: NUKITA 2007/05/18	GENERAL TOLERANCES (UNLESS SPECIFIED)		DIMENSION STYLE MM ONLY		SCALE ---	DESIGN UNITS METRIC	THIRD ANGLE PROJECTION	
	10 UNDER	± ---	DRAWN BY H. YAJIMA	DATE '06/08/22	TITLE RING TERMINAL			
	10 OVER 30 UNDER	± ---	CHECKED BY K. KASAHARA	DATE '06/08/22	MATERIAL NO. SEE CHART			
	30 OVER	± ---	APPROVED BY N. UKITA	DATE '06/08/22	DOCUMENT NO. SD-50558-001			
	ANGULAR	± --- °	DRAFT WHERE APPLICABLE MUST REMAIN WITHIN DIMENSIONS		SIZE A3		SHEET NO. 1 OF 1	