

KR Electronics

General Description

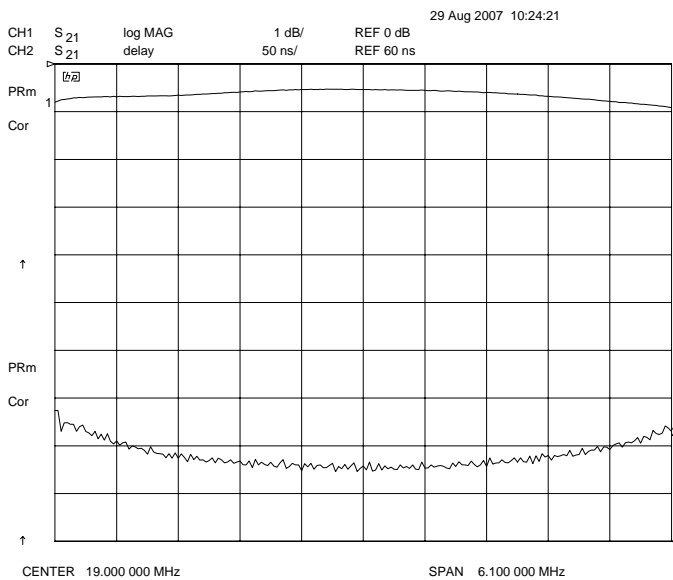
KR 2792-19 is a 19 MHz surface mount bandpass filter. The filter has a minimum 3 dB bandwidth of 6.1 MHz. Other passband frequencies are available. Please consult the factory.

Features

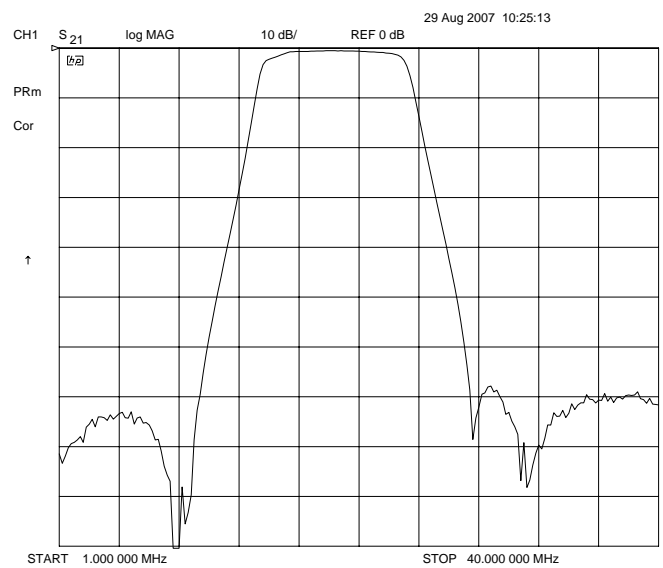
- 19 MHz Center Frequency
- Surface Mount Package
- 50 Ω Source and Load

Typical Performance

Passband Amplitude & Group Delay
(1 dB/div and 50 nsec/div)



Overall Response
(10 dB/div)



KR Electronics, Inc.
91 Avenel Street
Avenel, NJ 07001

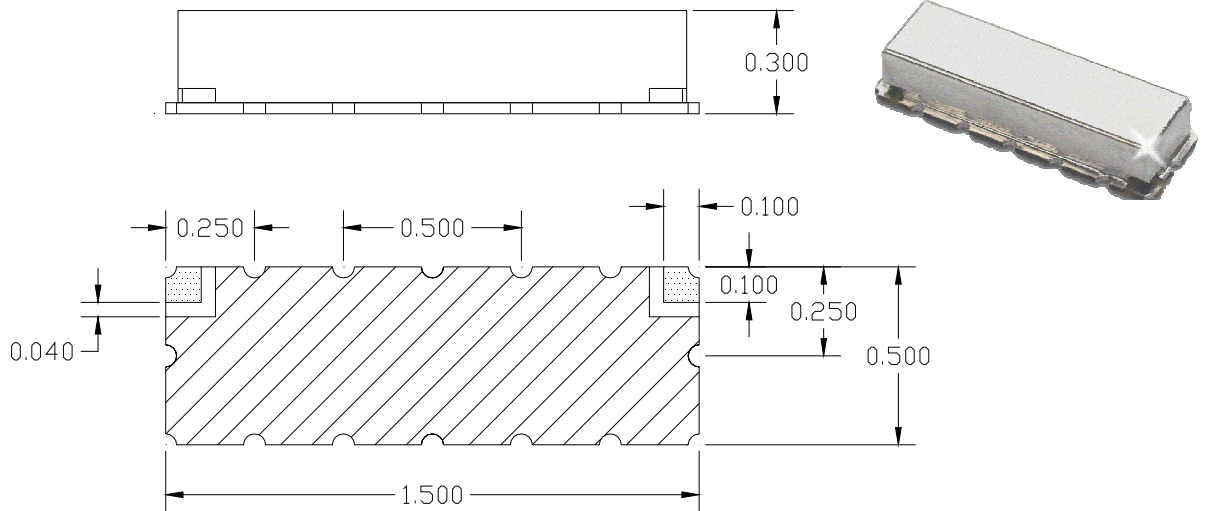
Web www.krfilters.com
Email sales@krfilters.com
Phone (732) 636-1900
Fax (732) 636-1982

KR Electronics 2792-19

Specifications

Parameter	Specification
Filter type	Bandpass
Center Frequency	19 MHz
Insertion Loss	< 2.5 dB (<1 dB typical)
3 dB Bandwidth	6.1 MHz min (9.3 MHz typical)
Attenuation at 9.85 MHz	> 60 dB
Attenuation at 28.15 MHz	> 60 dB
Source and Load	50 Ω

Physical Dimensions



Notes:

1. Surface mount package — Metal cover, open frame
2. Dimensions in inches
3. Maximum reflow temperature 209° C for 10 seconds maximum
4. If boards are cleaned after installation, units must be completely dried