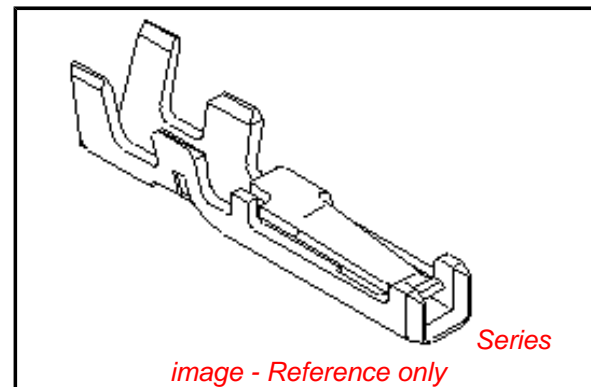


PLEASE CHECK WWW.MOLEX.COM FOR LATEST PART INFORMATION

Part Number: [0506418141](#)
Status: **Active**
Overview: [panelmate 125mm 049 pitch ultra lowprofile](#)
Description: PanelMate™ Crimp Terminal 50641, 28-30 AWG, Bag Gold (Au)

Documents:

Drawing (PDF)	Product Specification PS-51146-009 (PDF)
Product Specification PS-51146-001 (PDF)	Product Specification PS-51146-010 (PDF)
Product Specification PS-51146-006 (PDF)	Product Specification PS-51146-011 (PDF)
Product Specification PS-51146-007 (PDF)	Product Specification PS-51146-012 (PDF)
Product Specification PS-51146-008 (PDF)	RoHS Certificate of Compliance (PDF)



General

Product Family	Crimp Terminals
Series	50641
Crimp Quality Equipment	Yes
MolexKits	Yes
Overview	panelmate 125mm 049 pitch ultra lowprofile
Product Name	PanelMate™

Physical

Gender	Female
Material - Metal	Phosphor Bronze
Material - Plating Mating	Gold
Material - Plating Termination	Gold
Packaging Type	Bag
Plating min: Mating (µm)	8
Plating min: Mating (µm)	0.2
Plating min: Termination (µm)	8
Plating min: Termination (µm)	0.2
Termination Interface: Style	Crimp or Compression
Wire Insulation Diameter	0.50-0.90mm (.020-.035")
Wire Size AWG	28, 30
Wire Size mm²	N/A

Material Info

Reference - Drawing Numbers

Product Specification	PS-51146-001, PS-51146-006, PS-51146-007, PS-51146-008, PS-51146-009, PS-51146-010, PS-51146-011, PS-51146-012, RPS-51146-002, RPS-51146-003, RPS-51146-004, RPS-51146-007, RPS-51146-008, RPS-51146-009, RPS-51146-013, RPS-51146-015, RPS-51146-017, RPS-51146-019, RPS-51146-022, RPS-51146-023, RPS-51146-024, RPS-51146-025, RPS-51146-026, RPS-51146-027, RPS-51146-029, RPS-51146-031
Sales Drawing	SD-50641-8***

EU RoHS

ELV and RoHS Compliant
REACH SVHC Contains SVHC: No
Halogen-Free Status
Not Reviewed

China RoHS



Need more information on product environmental compliance?

Email productcompliance@molex.com
 For a multiple part number RoHS Certificate of Compliance, [click here](#)

Please visit the [Contact Us](#) section for any non-product compliance questions.

Search Parts in this Series

[50641Series](#)

Application Tooling | FAQ

Tooling specifications and manuals are found by selecting the products below. Crimp Height Specifications are then contained in the Application Tooling Specification document.

Global

Description	Product #
Hand Crimp Tool, UL 0638117900 Approved	
Extractor Tool for 1.25mm (.049") Pitch Pico-Gold™ Wire-to-Board Crimp Terminal	0638133400

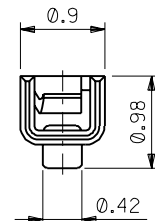
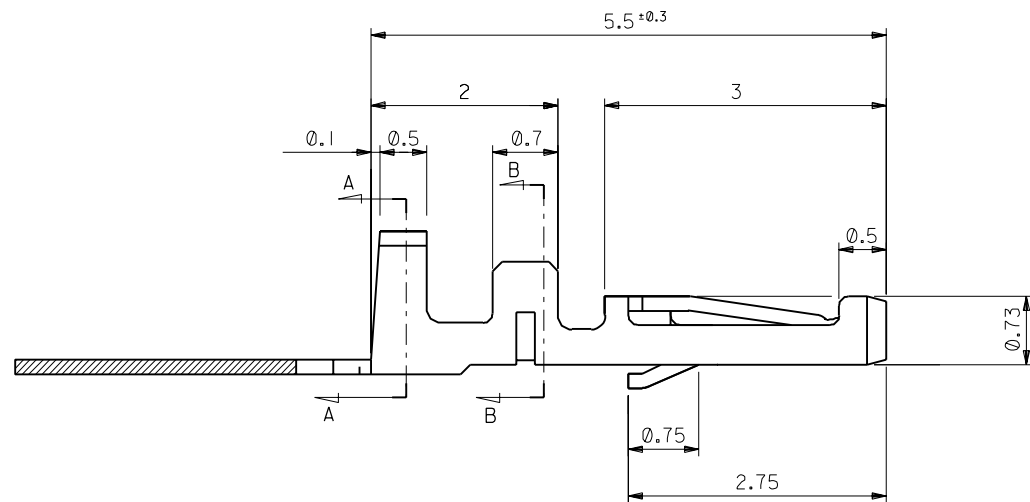
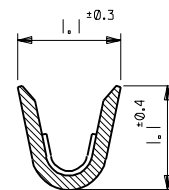
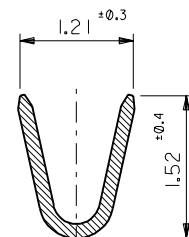
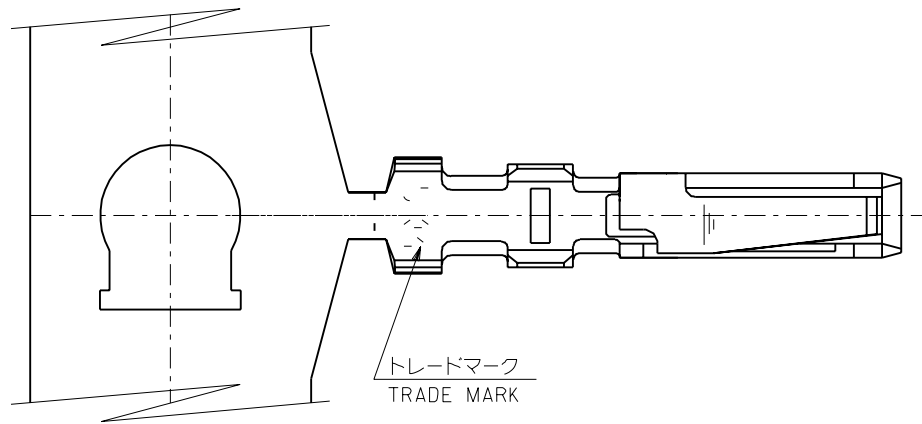
Japan

Description	Product #
Hand Crimper	0573525000
Hand Crimper	0573525100

This document was generated on 06/07/2010

PLEASE CHECK WWW.MOLEX.COM FOR LATEST PART INFORMATION

DWG. NO. SD-50641-8***



注記
NOTES

- 適合ハウジング：51146シリーズ
APPLICABLE HOUSING：51146 SERIES
- メッキ仕様 (PLATING)
金メッキ：0.2*μmMIN. ニッケル下地：1.5*μmMIN.
Au：0.2*μmMIN. Ni(UNDER PLATE)：1.5*μmMIN.

角度 ANGLE	±3°	C	変更 REVISED	(JC70448)	S.M.	Y.M.	'96/11/3
30°以上 OVER	+0.3	B	変更 REVISED	(JC70229)	S.M.	Y.M.	'96/8/21
10°以上 30°未満 OVER UNDER	+0.25	A	変更 REVISED	(JC60814)	S.M.	Y.M.	'96/6/6
10°未満 UNDER	+0.2	Q	新規作成 PROPOSED	(JC60420)	Y.M.	H.H.	'95/12/25
一般公差 GENERAL TOLERANCES		記号 LTR	変更内容 REVISION RECORD	DR.	日付 CHK DATE		

材料 MATERIAL	リン青銅 (t=0.15) PHOSPHOR BRONZE
仕上げ FINISH	—
適用電線範囲 WIRE RANGE	#28 ~ #30
被覆外径 INS. RANGE	φ0.5 - 0.9
DRAWN BY '95/12/25	CHK'D BY '96/11/5
Y. MIZUNO	Y. MIZUNO
APP'D BY '96/11/5	尺度 SCALE 20:1
M. FUKUSHIMA	

50641-8141	バラ状 LOOSE
50641-8041	連鎖状 CHAIN
ENG. NO.	端子形状 FORM
MOLEX-JAPAN CO., LTD. 日本モレックス株式会社	
REVISE ONLY ON CAD SYSTEM	
TITLE 名称	
I.25 WIRE TO BOARD CONN. CRIMP RECEPTACLE	
DWG. NO.	REV
SD-50641-8***	C