

DATA SHEET

PT18/11
PT, PTS, PTS/I cores and
accessories

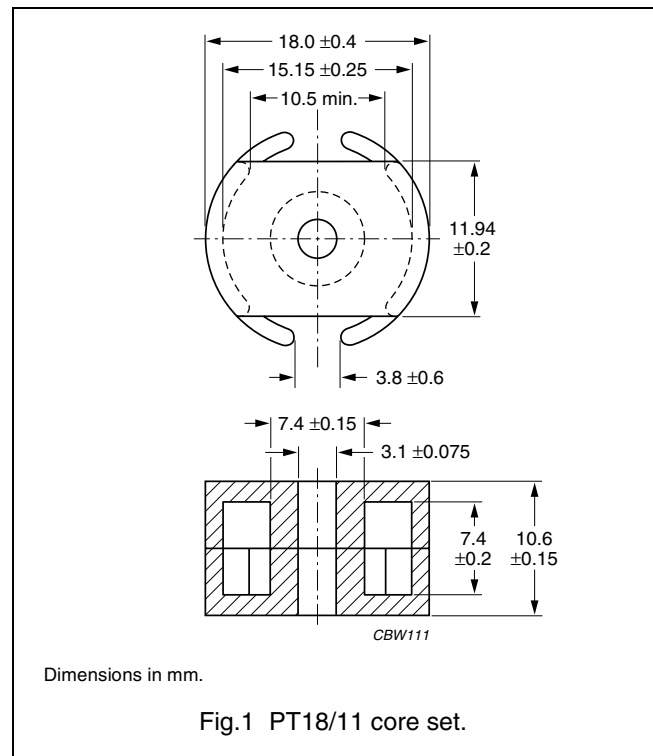
Supersedes data of September 2004

2008 Sep 01

CORE SETS

Effective core parameters

SYMBOL	PARAMETER	VALUE	UNIT
$\Sigma(l/A)$	core factor (C1)	0.670	mm ⁻¹
V_e	effective volume	1110	mm ³
l_e	effective length	27.2	mm
A_e	effective area	40.6	mm ²
A_{min}	minimum area	32.9	mm ²
m	mass of set	≈ 6.0	g



Core sets for general purpose transformers and power applications

Clamping force for A_L measurements, 20 ± 5 N.

GRADE	A_L (nH)	μ_e	AIR GAP (μm)	TYPE NUMBER
3C81 ^{sup}	100 ± 3%	≈ 53	≈ 660	PT18/11-3C81-A100
	160 ± 3%	≈ 85	≈ 380	PT18/11-3C81-A160
	250 ± 3%	≈ 133	≈ 220	PT18/11-3C81-A250
	315 ± 3%	≈ 168	≈ 170	PT18/11-3C81-A315
	400 ± 5%	≈ 213	≈ 130	PT18/11-3C81-A400
	3130 ± 25%	≈ 1670	≈ 0	PT18/11-3C81
3C91 ^{sup}	3130 ± 25%	≈ 1670	≈ 0	PT18/11-3C91
3F3 ^{sup}	100 ± 3%	≈ 53	≈ 660	PT18/11-3F3-A100
	160 ± 3%	≈ 85	≈ 380	PT18/11-3F3-A160
	250 ± 3%	≈ 133	≈ 220	PT18/11-3F3-A250
	315 ± 3%	≈ 168	≈ 170	PT18/11-3F3-A315
	400 ± 5%	≈ 213	≈ 130	PT18/11-3F3-A400
	2500 ± 25%	≈ 1340	≈ 0	PT18/11-3F3

PT, PTS, PTS/I cores and accessories

PT18/11
(1811TS)

Core sets of high permeability grades

Clamping force for A_L measurements, 15 ± 5 N.

GRADE	A_L (nH)	μ_e	AIR GAP (μm)	TYPE NUMBER
3E27 ^{sup}	$5760 \pm 25\%$	≈ 3075	≈ 0	PT18/11-3E27

Properties of core sets under power conditions

GRADE	B (mT) at	CORE LOSS (W) at			
	H = 250 A/m; f = 25 kHz; T = 100 °C	f = 25 kHz; B = 200 mT; T = 100 °C	f = 100 kHz; B = 100 mT; T = 100 °C	f = 100 kHz; B = 200 mT; T = 100 °C	f = 400 kHz; B = 50 mT; T = 100 °C
3C81	≥ 320	≤ 0.23	–	–	–
3C91	≥ 320	–	$\leq 0.06^{(1)}$	$\leq 0.5^{(1)}$	–
3F3	≥ 315	–	≤ 0.12	–	≤ 0.21

Note

1. Measured at 60 °C.

BOBBINS AND ACCESSORIES

Coil formers, winding data and mounting parts are equal to those of "P18/11", but "area product" is different.

Winding data and area product (for PT18/11) for CP-P18/11 coil former

NUMBER OF SECTIONS	WINDING AREA (mm ²)	MINIMUM WINDING WIDTH (mm)	AVERAGE LENGTH OF TURN (mm)	AREA PRODUCT $A_e \times A_w$ (mm ⁴)	TYPE NUMBER
1	17.1	5.7	36.6	694	CP-P18/11-1S
2	2×7.95	2×2.65	36.6	2×323	CP-P18/11-2S
3	3×4.95	3×1.6	36.6	3×201	CP-P18/11-3S

Winding data and area product (for PT18/11) for 6-pins P18/11 coil former for PCB mounting

NUMBER OF SECTIONS	MINIMUM WINDING AREA (mm ²)	NOMINAL WINDING WIDTH (mm)	AVERAGE LENGTH OF TURN (mm)	LENGTH OF PINS (mm)	AREA PRODUCT $A_e \times A_w$ (mm ⁴)	TYPE NUMBER
1	16.8	6.0	36.7	4.4	682	CPV-P18/11-1S-6PD
1	16.8	6.0	36.7	6.8	682	CPV-P18/11-1S-6PDL
2	2×7.61	2×2.8	36.7	4.4	2×309	CPV-P18/11-2S-6PD
2	2×7.61	2×2.8	36.7	6.8	2×309	CPV-P18/11-2S-6PDL
3	3×4.58	3×1.7	36.7	4.4	3×186	CPV-P18/11-3S-6PD
3	3×4.58	3×1.7	36.7	6.8	3×186	CPV-P18/11-3S-6PDL

DATA SHEET STATUS DEFINITIONS

DATA SHEET STATUS	PRODUCT STATUS	DEFINITIONS
Preliminary specification	Development	This data sheet contains preliminary data. Ferroxcube reserves the right to make changes at any time without notice in order to improve design and supply the best possible product.
Product specification	Production	This data sheet contains final specifications. Ferroxcube reserves the right to make changes at any time without notice in order to improve design and supply the best possible product.

DISCLAIMER

Life support applications — These products are not designed for use in life support appliances, devices, or systems where malfunction of these products can reasonably be expected to result in personal injury. Ferroxcube customers using or selling these products for use in such applications do so at their own risk and agree to fully indemnify Ferroxcube for any damages resulting from such application.

PRODUCT STATUS DEFINITIONS

STATUS	INDICATION	DEFINITION
Prototype		These are products that have been made as development samples for the purposes of technical evaluation only. The data for these types is provisional and is subject to change.
Design-in		These products are recommended for new designs.
Preferred		These products are recommended for use in current designs and are available via our sales channels.
Support		These products are not recommended for new designs and may not be available through all of our sales channels. Customers are advised to check for availability.