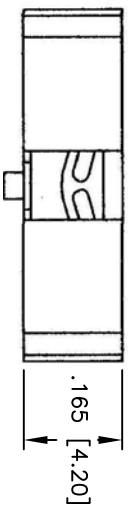
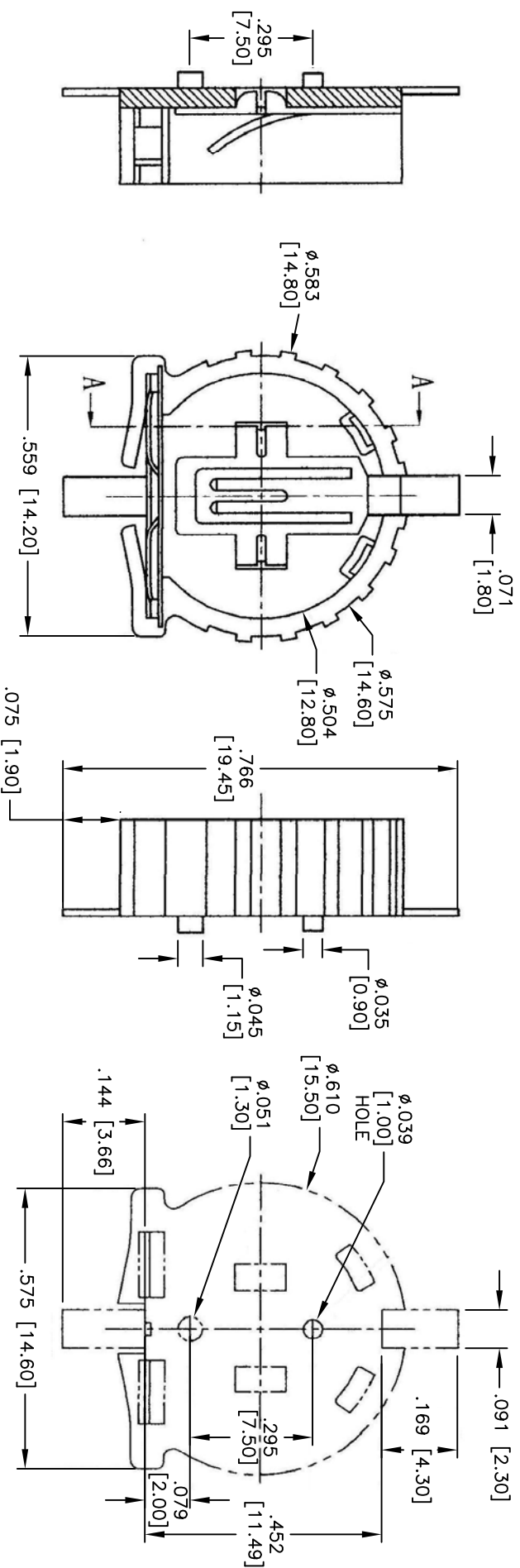


Rev	AWO #	Description	Date	Appr
-		RELEASED	5/19/10	

APPROVED: _____
 DATE: _____ TITLE: _____



SPECIFICATIONS:

Material: PPS, rated UL94V-0
Housing: Phosphor Bronze 0.2 THK, Gold plated over Nickel
Contact: Phosphor Bronze 0.2 THK, Gold plated over Nickel
Electrical:
 Contact resistance: 30 Milliohms max
 Insulation resistance: 1000 Mega ohms min
 Dielectric Voltage: 500 one sec level
 Operating temperature: -55°C to +105°C
Environmental:
 Lead free, RoHS compliant

UNLESS OTHERWISE SPECIFIED
 ALL DIMENSIONS ARE IN INCHES [MM]
 TOLERANCES: EXCEPT AS NOTED
 INCHES Holes ±.10
 .XX ±.020 ØXX ±.015
 .XXX ±.015 ØXXX ±.010

APPROVALS: _____ DATE: 5/19/10

DRAWN: DY

CHECKED: _____

APPROVED: _____

ADAM TECH
 909 Rahway Avenue, Union, NJ 07083
 Phone: 908-687-5000 Fax: 908-687-5710

TITLE: BATTERY COIN CELL HOLDER

SIZE	PART NO.	SCALE	SHEET	REV.
X	BH-44-5	NTS	1 OF 1	