

PLEASE CHECK WWW.MOLEX.COM FOR LATEST PART INFORMATION

Part Number: [0359228011](#)
Status: **Active**
Overview: [mv396](#)
Description: 3.96mm (.156") Pitch Wire-to-Board Terminal, Phosphor Bronze

Documents:

[Drawing \(PDF\)](#) [Product Specification PS-35979-001 \(PDF\)](#)
[Product Specification PS-35978-001 \(PDF\)](#) [RoHS Certificate of Compliance \(PDF\)](#)

General

Product Family	Crimp Terminals
Series	35922
Crimp Quality Equipment	Yes
MolexKits	Yes
Overview	mv396
Product Name	MV-396™

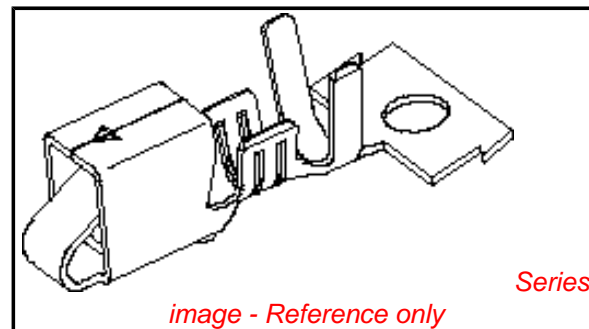
Physical

Gender	Female
Material - Metal	Phosphor Bronze
Material - Plating Mating	Tin
Material - Plating Termination	Tin
Packaging Type	Reel
Plating min: Mating (µin)	60
Plating min: Mating (µm)	1.5
Plating min: Termination (µin)	60
Plating min: Termination (µm)	1.5
Termination Interface: Style	Crimp or Compression
Wire Insulation Diameter	3.00mm (.118") max.
Wire Size AWG	18, 20
Wire Size mm²	N/A

Material Info

Reference - Drawing Numbers

Packaging Specification	PK-35922-001
Product Specification	PS-35978-001, PS-35979-001
Sales Drawing	SD-35922-500



EU RoHS

**ELV and RoHS
Compliant**

REACH SVHC

Not Reviewed

Halogen-Free

Status

Halogen-Free

China RoHS



**Need more information on product
environmental compliance?**

Email productcompliance@molex.com
 For a multiple part number RoHS Certificate of Compliance, [click here](#)

Please visit the [Contact Us](#) section for any non-product compliance questions.

Search Parts in this Series

[35922Series](#)

Use With

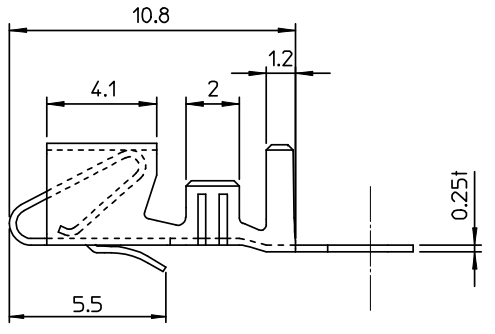
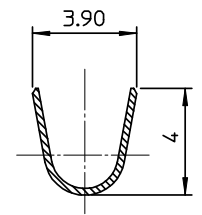
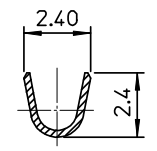
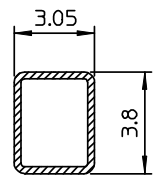
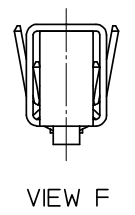
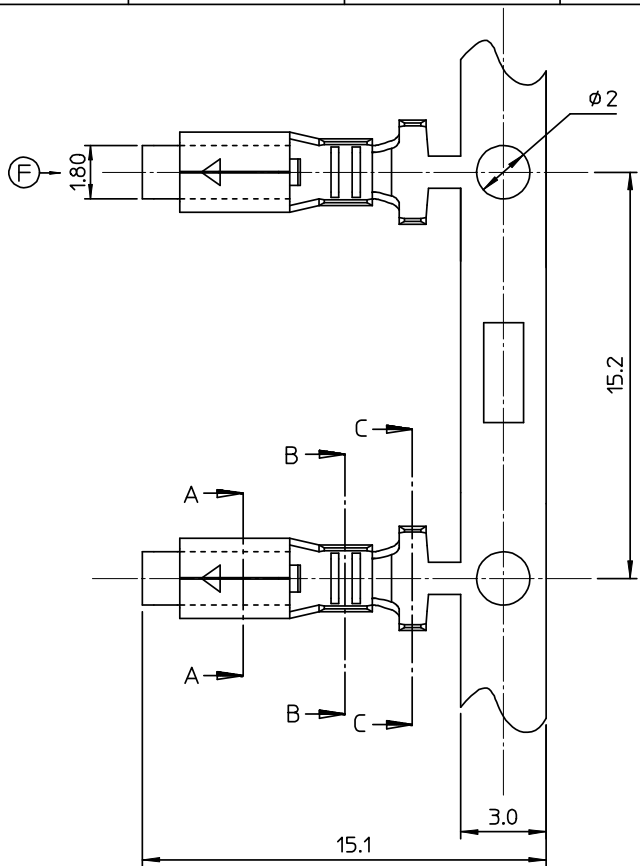
[35977](#)

Application Tooling | [FAQ](#)

Tooling specifications and manuals are found by selecting the products below. Crimp Height Specifications are then contained in the Application Tooling Specification document.

Global

Description	Product #
T2 Terminator Die	0638557000
FineAdjust™ Applicator	0638657000



- NOTES
1. MATERIAL : BRASS or PHOSPHOR BRONZE
 2. FINISHES : PRE-TIN PLATED
 3. PRODUCT SPECIFICATION : PS-35978-001
 4. APPLIED HOUSING : 35977-**0*

SECTION A-A

SECTION B-B

SECTION C-C

TABLE

359228011	35922-8011	PHOSPHOR BRONZE
359229002	35922-9002	BRASS
MAT'L NO.	ENG NO.	MATERIAL

REVISED EC NO: KOR2008-0186 DRWN:SKHAN01 2008/05/26 CHKD:WY. YANG 2008/05/26 APPR: YUNSIKKIM 2008/05/26	QUALITY SYMBOLS	GENERAL TOLERANCES (UNLESS SPECIFIED)		DIMENSION STYLE MM ONLY		SCALE 5:1	DESIGN UNITS METRIC	THIRD ANGLE PROJECTION	
	▽=0	mm	INCH	DRAWN BY YURIWI	DATE 1999/05/09	TITLE 3.96 PITCH W-T-B CONN. TERMINAL			
	▽=0	4 PLACES ± ---	± ---	CHECKED BY J. K. OH	DATE 1999/05/09				
		3 PLACES ± ---	± ---	APPROVED BY CWLEE	DATE 1999/05/09	MOLEX INCORPORATED DOCUMENT NO. SD-35922-500		SHEET NO. 1 OF 1	
		2 PLACES ± ---	± ---	MATERIAL NO. SEE TABLE					
	1 PLACE ± 0.2	± ---	DRAFT WHERE APPLICABLE MUST REMAIN WITHIN DIMENSIONS		THIS DRAWING CONTAINS INFORMATION THAT IS PROPRIETARY TO MOLEX INCORPORATED AND SHOULD NOT BE USED WITHOUT WRITTEN PERMISSION				