

PLEASE CHECK WWW.MOLEX.COM FOR LATEST PART INFORMATION

Part Number: [0022041041](#)
Status: **Active**
Overview: [kk](#)
Description: 2.50mm (.098") Pitch Wire-to-Board KK® Header, Vertical, with Friction Ramp, 4 Circuits, Tin (Sn) Plating

Documents:

3D Model	Product Specification PS-5102-001 (PDF)
Drawing (PDF)	Product Specification PS-5102-002 (PDF)
Product Specification PS-5045-001 (PDF)	Product Specification PS-51191-002 (PDF)
Product Specification PS-5045-002 (PDF)	Product Specification PS-5251-001 (PDF)
Product Specification PS-5051-005 (PDF)	RoHS Certificate of Compliance (PDF)

Agency Certification

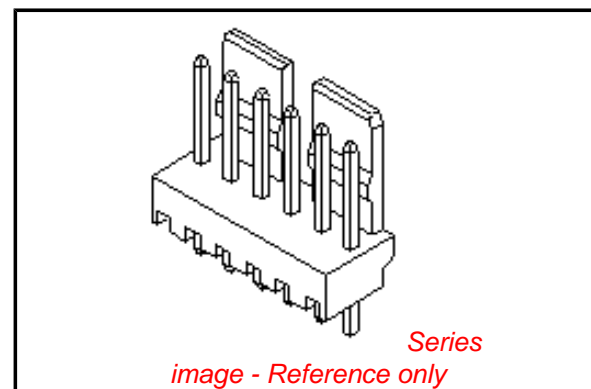
CSA	LR19980
TUV	R72090224
UL	E29179

General

Product Family	PCB Headers
Series	5045
Application	Wire-to-Board
MolexKits	Yes
Overview	kk
Product Name	KK®

Physical

Breakaway	No
Circuits (Loaded)	4
Circuits (maximum)	4
Color - Resin	Natural
Durability (mating cycles max)	30
First Mate / Last Break	No
Flammability	94V-0
Glow-Wire Compliant	No
Guide to Mating Part	No
Keying to Mating Part	None
Lock to Mating Part	Yes
Material - Metal	Brass
Material - Plating Mating	Tin
Material - Plating Termination	Tin
Material - Resin	Nylon
Number of Rows	1
Orientation	Vertical
PC Tail Length (in)	0.134 In
PC Tail Length (mm)	3.40 mm
PCB Locator	No
PCB Retention	None
PCB Thickness Recommended (in)	0.062 In
PCB Thickness Recommended (mm)	1.60 mm
Packaging Type	Bag
Pitch - Mating Interface (in)	0.098 In
Pitch - Mating Interface (mm)	2.50 mm
Plating min: Mating (µin)	200
Plating min: Mating (µm)	5
Plating min: Termination (µin)	200



EU RoHS

ELV and RoHS Compliant
REACH SVHC Contains SVHC: No
Halogen-Free Status

China RoHS



Need more information on product environmental compliance?

Email productcompliance@molex.com
 For a multiple part number RoHS Certificate of Compliance, [click here](#)

Please visit the [Contact Us](#) section for any non-product compliance questions.

Search Parts in this Series

[5045Series](#)

Mates With

KK® 2.50mm (.098") housings, [51191](#) , [5051](#)

Plating min: Termination (µm)	5
Polarized to PCB	No
Shrouded	Partial
Stackable	No
Surface Mount Compatible (SMC)	No
Temperature Range - Operating	-40°C to +105°C
Termination Interface: Style	Through Hole

Electrical

Current - Maximum per Contact	3A
Voltage - Maximum	250V

Material Info

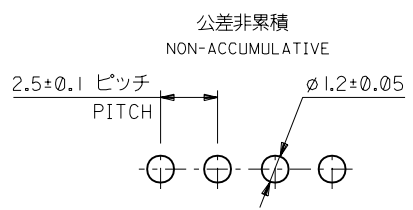
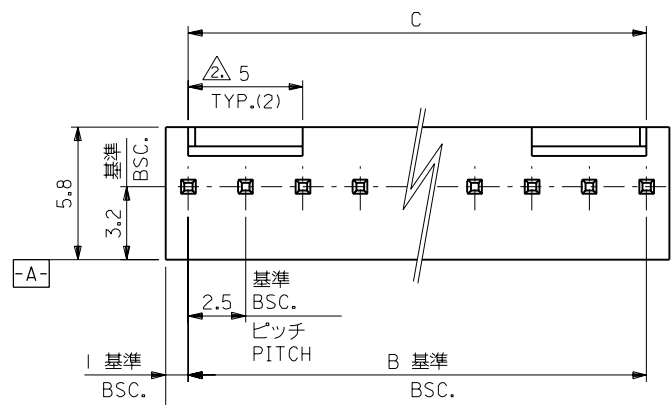
Old Part Number	5045-04A
-----------------	----------

Reference - Drawing Numbers

Packaging Specification	SPK-5045
Product Specification	PS-5045-001, PS-5045-002, PS-5051-005, PS-5102-001, PS-5102-002, PS-51191-002, PS-5251-001, RPS-5045-001, RPS-51191-007
Sales Drawing	SD-5045-NA

This document was generated on 06/07/2010

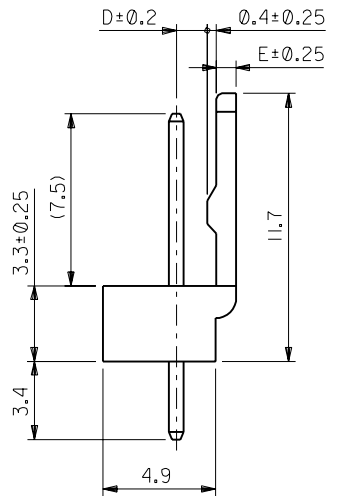
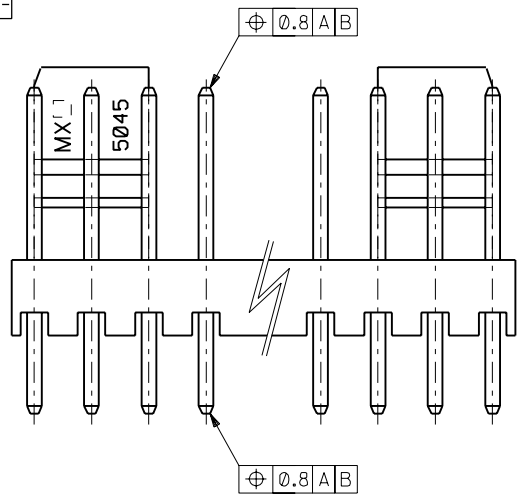
PLEASE CHECK WWW.MOLEX.COM FOR LATEST PART INFORMATION



基板取付穴推奨寸法
RECOMMENDED P.C.BOARD HOLE DIM.

注) NOTE.

- 材料 MATERIAL
ピン : φ0.635x14.2 黄銅、銅下地錫メッキ
PIN: 0.635x14.2 BRASS TIN OVER COPPER PLATING.
ウェハー : ナイロン66, UL 94V-0
WAFFER: NYLON66, UL94V-0
- △ 6極以上に適用
TO BE APPLIED FOR 6 CKT. AND MORE THEN 6 CKT.
- 5極以下はロック部スリットなし
NO SLIT IS PROVIDED FOR 5 CKT. AND LESS THAN 5 CKT.



1.35	0.85	47.5 ^{+0.3} _{-0.45}	47.5	22-04-1201	5045-20A	20
↑	↑	45 ^{+0.3} _{-0.45}	45	↑ -1191	↑ -19A	19
		42.5 ^{+0.3} _{-0.45}	42.5	↑ -1181	↑ -18A	18
		40 ^{+0.3} _{-0.45}	40	↑ -1171	↑ -17A	17
		37.5 ^{+0.3} _{-0.45}	37.5	↑ -1161	↑ -16A	16
		35 ^{+0.3} _{-0.45}	35	↑ -1151	↑ -15A	15
		32.5 ^{+0.3} _{-0.45}	32.5	↑ -1141	↑ -14A	14
		30 ^{+0.3} _{-0.4}	30	↑ -1131	↑ -13A	13
		27.5 ^{+0.3} _{-0.4}	27.5	↑ -1121	↑ -12A	12
		25 ^{+0.3} _{-0.4}	25	↑ -1111	↑ -11A	11
		22.5 ^{+0.3} _{-0.4}	22.5	↑ -1101	↑ -10A	10
		20 ^{+0.3} _{-0.35}	20	↑ -1091	↑ -09A	9
		17.5 ^{+0.3} _{-0.35}	17.5	↑ -1081	↑ -08A	8
		15 ^{+0.3} _{-0.3}	15	↑ -1071	↑ -07A	7
		12.5 ^{+0.3} _{-0.3}	12.5	↑ -1061	↑ -06A	6
		10 ^{+0.3} _{-0.3}	10	↑ -1051	↑ -05A	5
1.35	0.85	7.5 ^{+0.3} _{-0.3}	7.5	↑ -1041	↑ -04A	4
↓	↓	5 ^{+0.3} _{-0.3}	5	↓ -1031	↓ -03A	3
1.2	1	2.5 ^{+0.3} _{-0.3}	2.5	22-04-1021	5045-02A	2
D	E	C	B	EDP.NO.	ENG.NO.	極数 CKT.

図番 NO. DRAWN: CHK: APPR:	図番 NO. DRAWN: CHK: APPR:	図番 NO. DRAWN: CHK: APPR:	図番 NO. DRAWN: CHK: APPR:	REDRAWN	材料 材料 注記参照 SEE NOTES	GENERAL TOLERANCES: (UNLESS SPECIFIED) 一般公差	SCALE 5:1	DESIGN UNITS mm INCH	DIMENSIONS: mm INCH mm ONLY	SHT REV	2885 DRAWING CONTAINS INFORMATION THAT IS PROPRIETARY TO MOLEX INCORPORATED AND SHOULD NOT BE USED WITHOUT WRITTEN PERMISSION.				
				図番 NO. JC2000-0629 DRAWN: K.KOHAMA CHK: T.YAMAGUCHI APPR: M.FUKUSHIMA								FINISH 仕上り	10 UNDER 未満 10 OVER 以上	DRAWN BY & DATE K.KOHAMA 00/3/28	TITLE: KK 2.5 WAFER ASS'Y WITH LOCK
				WIRE RANGE 適用線径範囲								30 UNDER 未満 30 OVER 以上	CHECKED BY & DATE T.YAMAGUCHI 007/3/30	MOLEX MOLEX INCORPORATED	
				INS. RANGE 被覆外径								ANGLE 角度	APPROVED BY & DATE M.FUKUSHIMA 007/3/30		