

03 033200

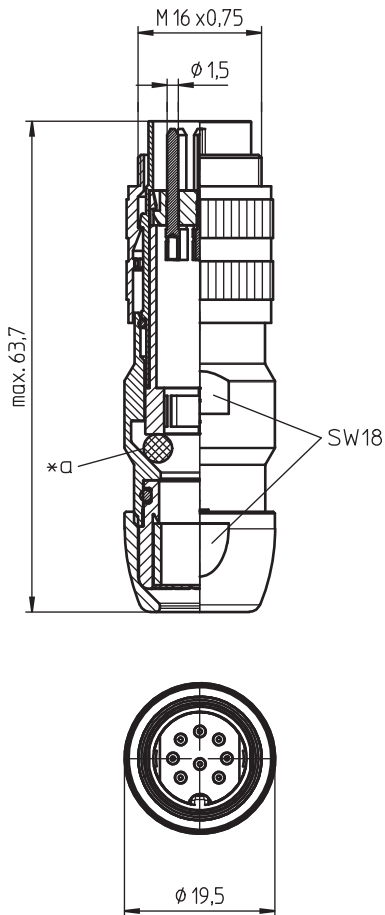
Circular connectors with threaded joint M16 acc. to IEC 61076-2-106, IP40/IP67/IP68



Next Generation – Plug acc. to AISG specification and IEC 61076-2-106, IP68, with threaded joint, vibration protection and solder terminals, 360° shielded, optimized assembly

03

033200



Environmental conditions

Temperature range -40 °C/+85 °C

Materials

Insulating body	PA GF, V-0 according to UL94
Contact pin	CuZn, silver-plated and flash gold-plated
Schirmfeder	stainless steel
Insulating sleeve	PA, V-0 according to UL94
Clamp	PA, V-0 according to UL94
Housing	CuZn, nickel-plated/Zn diecast, pre-copper and nickel-plated
Knurled screw	CuZn, nickel-plated
Seal	CR/EPDM

Mechanical data

Protection class IP68¹

¹ according to IEC DIN EN 60529, only in locked condition with an appropriate counterpart; IPX8 requirements under agreement between manufacturer and user

Connectable conductors for solder area

Section ≤ 0.75 mm² (AWG 20)
Cable diameter 4–10 mm

Electrical data (at T_{amb} 20 °C)

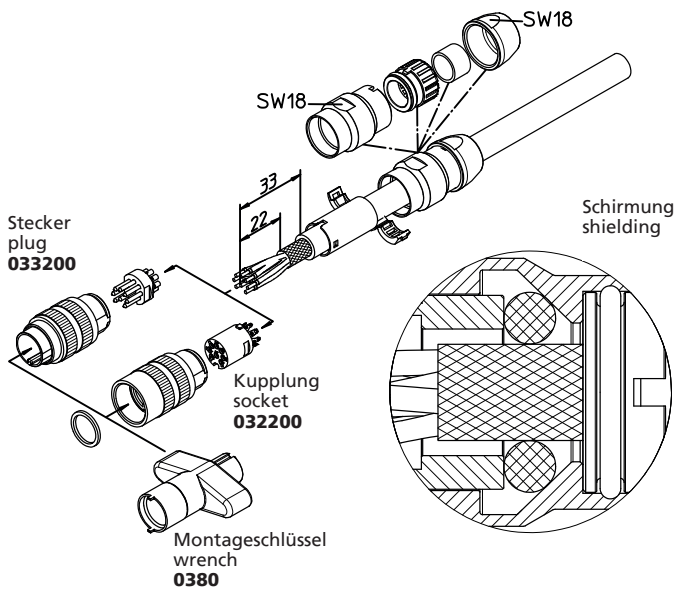
Rated current	5 A (T _{amb} 40 °C)
Rated voltage	100 V (with pollution degree 1) 32 V (with pollution degree 2)
Rated impulse voltage	500 V
Material group	II (IEC)/1 (UL) (CTI ≥ 550)
Overvoltage category	I
Insulation resistance	> 100 MΩ

Associated products

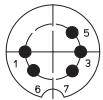
Counterparts

☞ 0304	☞ 0304-1	☞ 0304-2
☞ 0305	☞ 0305-1	☞ 0305-1 U
☞ 0305-2	☞ 0306	☞ 0306-1
☞ 0306-2	☞ 0307	☞ 0307-1
☞ 0307-2	☞ 030798-1	☞ 030798-2
☞ 030799-2	☞ 0308	☞ 0308-1
☞ 0308-2	☞ 0321	☞ 0322

03 033200

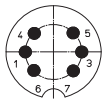


☞ 0322-1	☞ 032200	☞ 0360
☞ 036000	☞ 0362	☞ 036297
☞ 0363		
Accessories		
☞ 0383	☞ 038399	☞ 038899

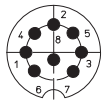


*b

033200 05-3



-



08-a

033200 08-1

*a shielding connection

*b pin configuration according to AISG C485

03

033200

Designation	Pole Number	PU (Pieces)	MDQ (Pieces)
033200 05-3	5	50	100
033200 08-1	8	50	100

Packaging:

sets of individual parts, partly pre-assembled, in plastic bags, in a cardboard box