

**PLEASE CHECK WWW.MOLEX.COM FOR LATEST PART INFORMATION**

**Part Number:** [0474043002](#)  
**Status:** **Active**  
**Description:** 1.27mm (.050") Pitch Serial ATA Host Receptacle, Right Angle, Through Hole, 0.38µm (15µ") Gold (Au) Plating, 22 Circuits, with Cover, Screw Mount Type, Lead Free

**Documents:**

[3D Model](#)  
[Drawing \(PDF\)](#)

[RoHS Certificate of Compliance \(PDF\)](#)

**General**

Product Family	PCB Receptacles
Series	47404
Application	Board-to-Board
Comments	Screw version
Product Name	Serial ATA

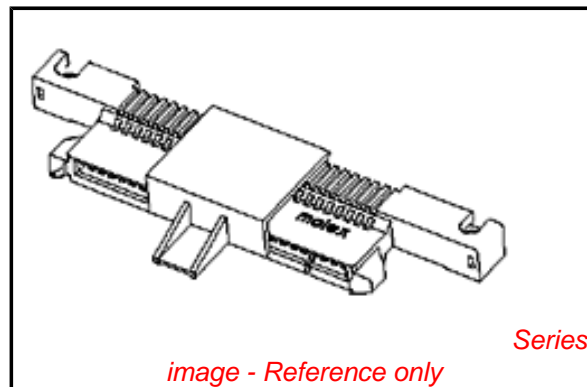
**Physical**

Circuits (Loaded)	22
Circuits (maximum)	22
Color - Resin	Black
Durability (mating cycles max)	500
Glow-Wire Compliant	No
Guide to Mating Part	Yes
Keying to Mating Part	Yes
Lock to Mating Part	None
Material - Metal	Copper Alloy
Material - Plating Mating	Gold
Material - Plating Termination	Tin
Material - Resin	High Temperature Thermoplastic
Number of Rows	1
Orientation	Right Angle
PCB Locator	Yes
PCB Retention	Yes
PCB Thickness Recommended (in)	0.047 In
PCB Thickness Recommended (mm)	1.20 mm
Packaging Type	Embossed Tape on Reel
Pitch - Mating Interface (in)	0.050 In
Pitch - Mating Interface (mm)	1.27 mm
Pitch - Term. Interface (in)	0.050 In
Pitch - Term. Interface (mm)	1.27 mm
Plating min: Mating (µin)	15
Plating min: Mating (µm)	0.38
Plating min: Termination (µin)	50
Plating min: Termination (µm)	1.27
Polarized to Mating Part	Yes
Polarized to PCB	Yes
Stackable	No
Temperature Range - Operating	-35°C to +85°C
Termination Interface: Style	Through Hole

**Electrical**

Current - Maximum per Contact	1.5A
Grounding to PCB	Yes
Voltage - Maximum	15V DC

**Material Info**



**EU RoHS**

**RoHS Compliant by Exemption**

**REACH SVHC**

Not Reviewed

**Halogen-Free**

**Status**

**Not Reviewed**

**Need more information on product environmental compliance?**

Email [productcompliance@molex.com](mailto:productcompliance@molex.com)  
 For a multiple part number RoHS Certificate of Compliance, [click here](#)

Please visit the [Contact Us](#) section for any non-product compliance questions.

**China RoHS**



**Search Parts in this Series**

47404Series

**Reference - Drawing Numbers**

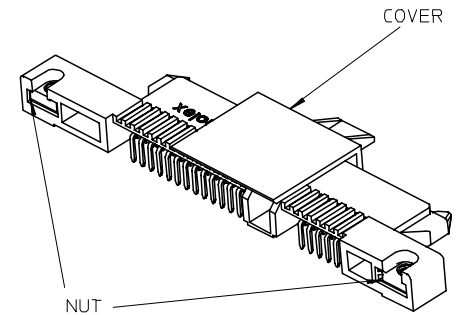
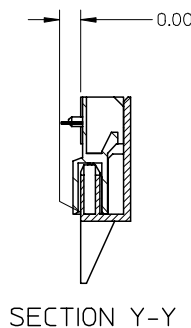
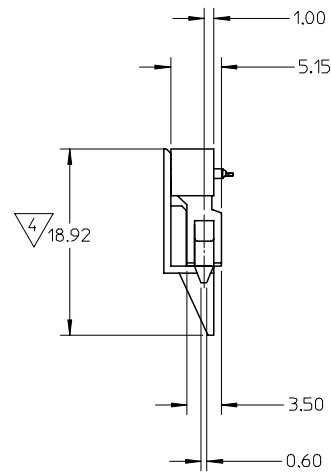
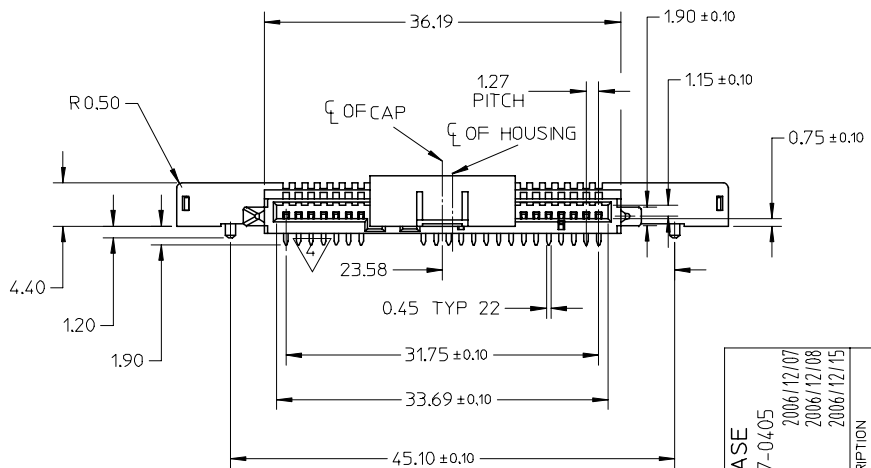
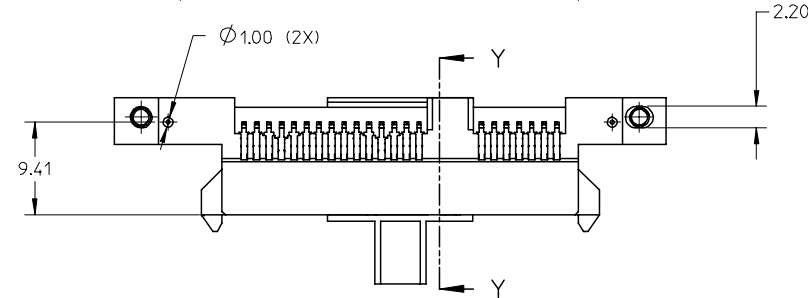
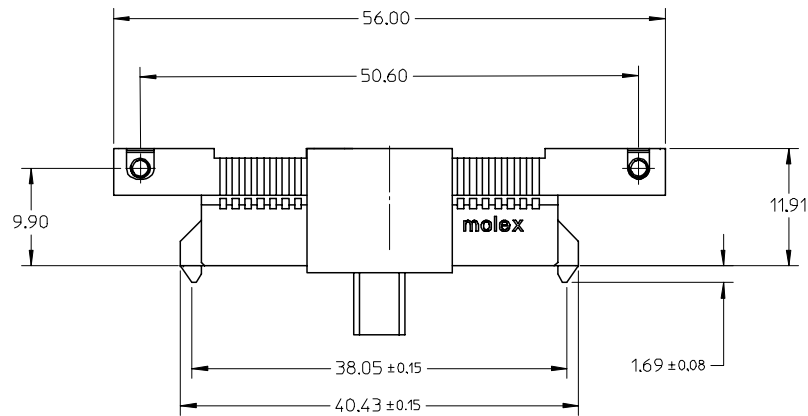
Sales Drawing

SD-47404-001

This document was generated on 04/06/2010

**PLEASE CHECK [WWW.MOLEX.COM](http://WWW.MOLEX.COM) FOR LATEST PART INFORMATION**

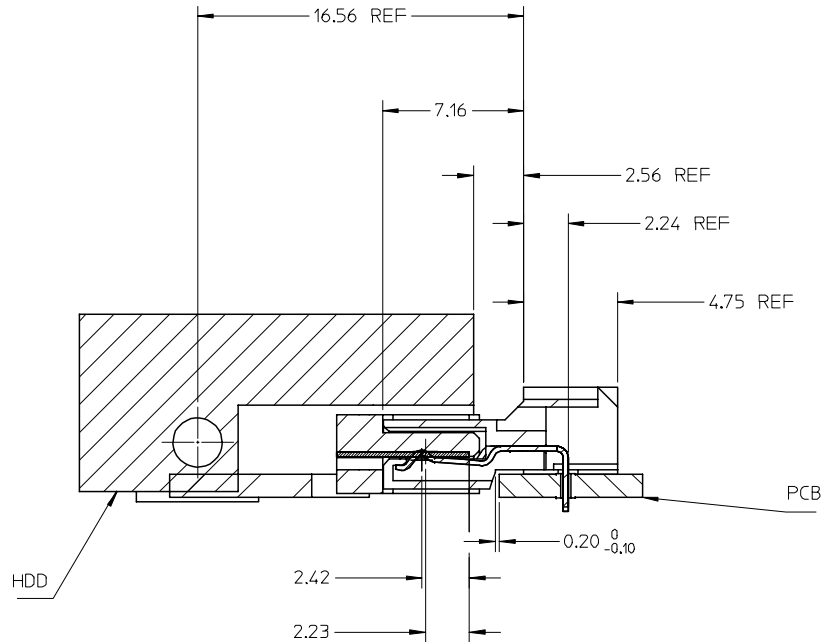
10 9 8 7 6 5 4 3 2 1



- NOTES:
- MATERIAL: HOUSING: HIGH TEMPERATURE THERMOPLASTIC, UL94V-0, COLOR: BLACK. TERMINAL: COPPER ALLOY.
  - TERMINAL PLATING: CONTACT AREA: (A) GOLD FLASH. (B) GOLD, THICKNESS=0.76 MICROMETER MINIMUM. (C) GOLD, THICKNESS=0.38 MICROMETER MINIMUM. SOLDER AREA: MATTE TIN, THICKNESS=1.27 MICROMETER MINIMUM. UNDER PLATE: NICKLE, THICKNESS=1.27 MICROMETER MINIMUM.
  - PRODUCT SPECIFICATION: PREFER TO PS-67492-001.
  - PACKAGING METHOD: TAPE REEL, USE DRYER IN HDPE BAG TO PREVENT BLISTER.
  - SCREW FIXED ORDER: FIRST SCREW 1, THEN SCREW 2, OTHERWISE, HOUSING MAY BE CRACKED.
  - NUT TYPE: M2x0.4, HIGH: 1.3MM, PLATING SPEC: 50u" MINIMUM NICKEL PLATED OVERALL.
  - PRODUCT COMPLIANT TO RoHS DIRECTIVE 2002/95/EC AND ELV 2000/53/EC.

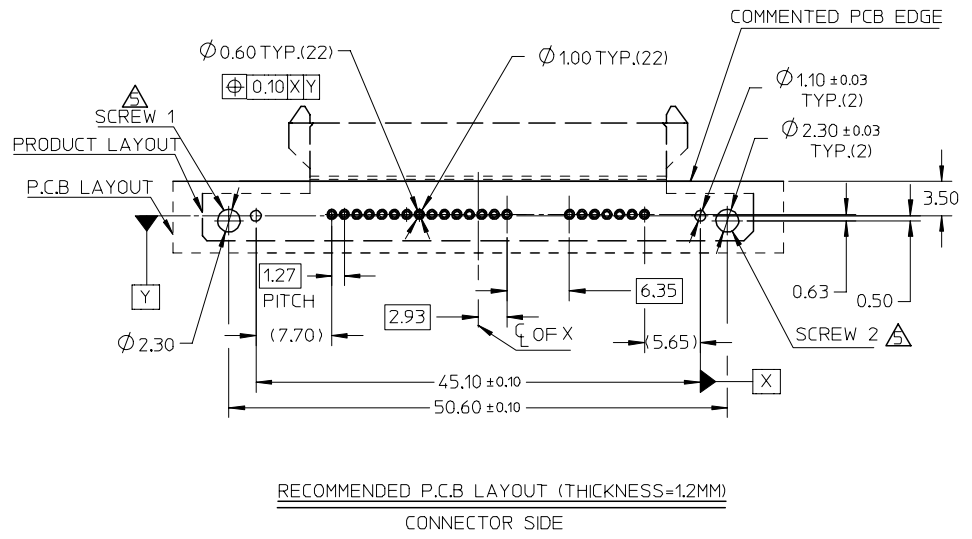
RELEASE EC NO: SH2007-0405 DRWN: HZHAO06 CHKD: JTIAN APPR: JCHEN	2006/12/07 2006/12/08 2006/12/15	QUALITY SYMBOLS ▽=0 ▽=0	GENERAL TOLERANCES (UNLESS SPECIFIED)		DIMENSION STYLE		SCALE	DESIGN UNITS	THIRD ANGLE PROJECTION			
					MM ONLY		2:1	METRIC				
				mm	INCH	DRAWN BY	DATE	TITLE				
			4 PLACES	± ---	± ---	HZHAO	2006/06/27	SATA HOST RECEPTACLE R/A THROUGH HOLE				
3 PLACES	± ---	± ---	CHECKED BY	DATE	MOLEX INCORPORATED SD-47404-001							
2 PLACES	± 0.15	± ---	GRMA	2006/06/27								
1 PLACE	± 0.25	± ---	APPROVED BY	DATE	MATERIAL NO.							
			JCHEN	2006/06/27	DOCUMENT NO.							
DRAFT WHERE APPLICABLE MUST REMAIN WITHIN DIMENSIONS			SEE SHEET 2		SHEET NO.							
			SIZE		1 OF 2							
			A3		THIS DRAWING CONTAINS INFORMATION THAT IS PROPRIETARY TO MOLEX INCORPORATED AND SHOULD NOT BE USED WITHOUT WRITTEN PERMISSION							

9 8 7 6 5 4 3 2 1

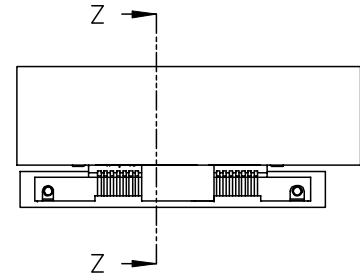


SECTION Z-Z

REFERENCE SCHEMATICS OF MATING WITH HDD.



RECOMMENDED P.C.B LAYOUT (THICKNESS=1.2MM)  
CONNECTOR SIDE



P/N	PLATE
47404-3000	NOTES 2(A)
47404-3001	NOTES 2(B)
47404-3002	NOTES 2(C)

RELEASE	EC NO: SH2007-0405	2006/12/07
	DRWN:HZHA006	2006/12/08
	CHKD:JTIAN	2006/12/08
	APPR: JNCHEN	2006/12/15
REV	DESCRIPTION	
A		

QUALITY SYMBOLS	▽=0
	∇=0

	GENERAL TOLERANCES (UNLESS SPECIFIED)	
	mm	INCH
4 PLACES	± ---	± ---
3 PLACES	± ---	± ---
2 PLACES	± 0.15	± ---
1 PLACE	± 0.25	± ---
ANGULAR ± 3 °		
DRAFT WHERE APPLICABLE MUST REMAIN WITHIN DIMENSIONS		

DIMENSION STYLE		SCALE	DESIGN UNITS	THIRD ANGLE PROJECTION
MM ONLY		1:1	METRIC	
DRAWN BY	DATE	TITLE		
HZHAO	2006/06/27	SATA HOST RECEPTACLE R/A THROUGH HOLE		
CHECKED BY	DATE	MOLEX MOLEX INCORPORATED		
GRMA	2006/06/27			
APPROVED BY	DATE	MATERIAL NO.		
JCHEN	2006/06/27	DOCUMENT NO.		
SIZE		SEE TABLE		SHEET NO.
A3		SD-47404-001		2 OF 2

THIS DRAWING CONTAINS INFORMATION THAT IS PROPRIETARY TO MOLEX INCORPORATED AND SHOULD NOT BE USED WITHOUT WRITTEN PERMISSION