

**PLEASE CHECK WWW.MOLEX.COM FOR LATEST PART INFORMATION**

**Part Number:** [0738101204](#)  
**Status:** **Active**  
**Overview:** [hdm](#)  
**Description:** 2.00mm (.079") Pitch HDM® Board-to-Board Midplane Header, Vertical SMC, Press-Fit, Double End Option, Slide On Housing, 144 Circuits

**Documents:**

[Drawing \(PDF\)](#) [RoHS Certificate of Compliance \(PDF\)](#)

**Agency Certification**

CSA LR19980  
 UL E29179

**General**

Product Family Backplane Connectors  
 Series [73810](#)  
 Application Midplane  
 Comments Polar/Guide Version  
 Component Type PCB Header  
 Overview [hdm](#)  
 Product Name HDM®  
 Style N/A

**Physical**

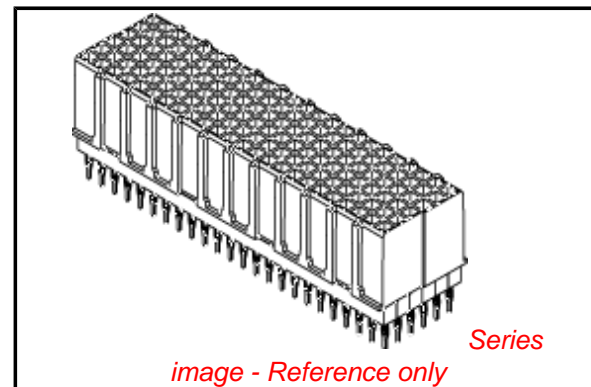
Circuits (Loaded) N/A  
 Circuits (maximum) 144  
 Color - Resin Black  
 Durability (mating cycles max) 250  
 First Mate / Last Break No  
 Flammability 94V-0  
 Guide to Mating Part Yes  
 Keying to Mating Part Yes  
 Material - Metal Stainless Steel  
 Material - Resin High Temperature Thermoplastic  
 Number of Columns 24  
 Number of Pairs Open Pin Field  
 Number of Rows 6  
 Orientation Vertical  
 PC Tail Length (in) 0.000 In  
 PC Tail Length (mm) 0.00 mm  
 PCB Locator No  
 PCB Retention None  
 Packaging Type Tube  
 Pitch - Mating Interface (in) 0.079 In  
 Pitch - Mating Interface (mm) 2.00 mm  
 Polarized to PCB N/A  
 Surface Mount Compatible (SMC) Yes  
 Temperature Range - Operating -55°C to +105°C

**Electrical**

Current - Maximum per Contact 1A  
 Data Rate 1.0 Gbps  
 Real Signals (per 25mm) 0  
 Voltage - Maximum 250V AC

**Solder Process Data**

Lead-free Process Capability Reflow Capable (SMT only)



*image - Reference only*

**EU RoHS**

**ELV and RoHS  
 Compliant**  
**REACH SVHC  
 Contains SVHC: No**  
**Halogen-Free  
 Status  
 Not Reviewed**

**China RoHS**



**Need more information on product  
 environmental compliance?**

Email [productcompliance@molex.com](mailto:productcompliance@molex.com)  
 For a multiple part number RoHS Certificate of  
 Compliance, [click here](#)

Please visit the [Contact Us](#) section for any  
 non-product compliance questions.

**Search Parts in this Series**

[73810Series](#)

**Mates With**

[73632](#) HDM PLUS® Board-to-Board  
 Daughtercard Receptacle. [73780](#) HDM®  
 Board-to-Board Daughtercard Receptacle

Process Temperature max. C

260

**Material Info**

**Reference - Drawing Numbers**

Sales Drawing

SD-73810-001

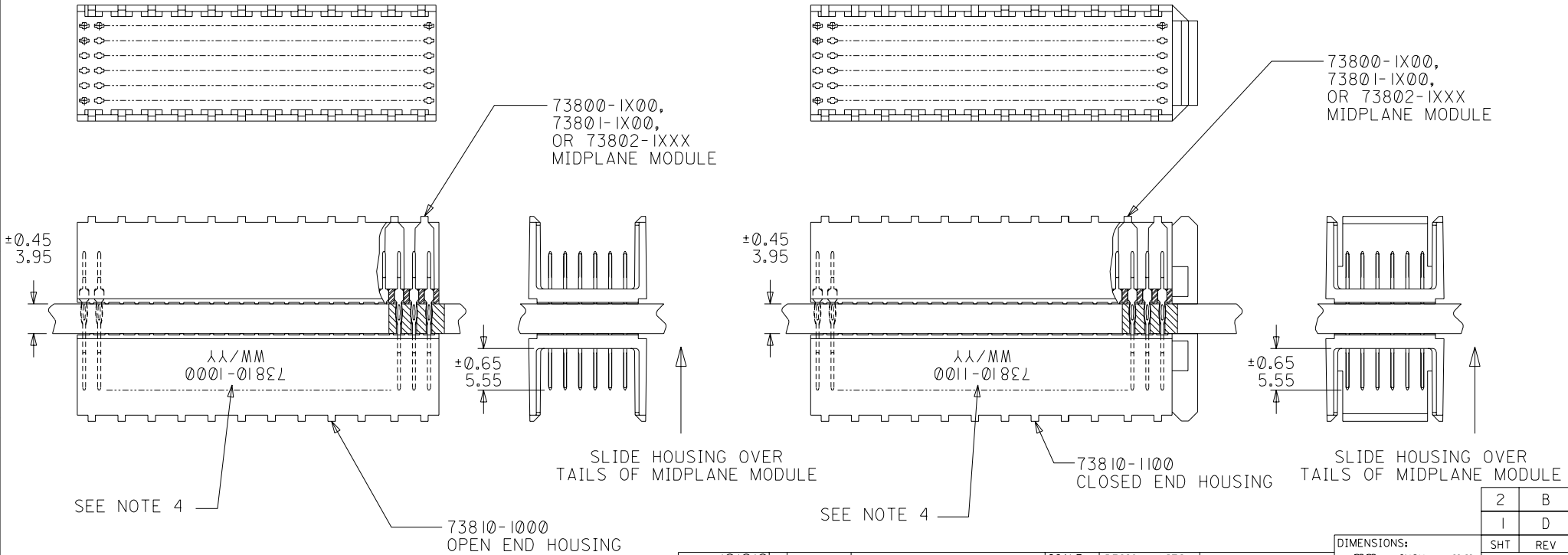
HDM and High Density Metric are trademarks of Amphenol Corporation

This document was generated on 05/14/2010

**PLEASE CHECK [WWW.MOLEX.COM](http://WWW.MOLEX.COM) FOR LATEST PART INFORMATION**

**NOTES:**

1. HOUSING MATERIALS: LIQUID CRYSTAL POLYMER (LCP), GLASS-FILLED, UL94V-0, COLOR: BLACK.
2. THIS PART CONFORMS TO MOLEX PRODUCT SPECIFICATION PS-73670-9999.
3. SEE DRAWINGS SD-73800-001, SD-73801-001, AND SD-73802-001 FOR DIMENSIONAL INFORMATION.
4. PARTS MARKED WITH PART NUMBER AND DATE CODE, ON EITHER SIDE, APPROXIMATELY WHERE SHOWN.
5. PARTS PACKAGED PER PK-70873-0818.



REVISED EC NO. LCP2003-2260 DRWN: THOMAS 03/04/25 CHK: BINGHAM 03/04/25 APPR: REED 03/04/25	DESCRIPTION MAJOR CRITICAL C=0	GENERAL TOLERANCES: (UNLESS SPECIFIED)		SCALE 2 : 1	DESIGN UNITS <input checked="" type="checkbox"/> mm <input type="checkbox"/> INCH	THIRD ANGLE PROJECTION	DIMENSIONS: <input type="checkbox"/> mm <input type="checkbox"/> INCH <input checked="" type="checkbox"/> mm ONLY		SHT 2	REV B
		4 PLACES ±0.     ±.	DRAWN BY & DATE JBINGHAM 97/06/19	TITLE: SALES ASSEMBLY, HDM DOUBLE-END MIDPLANE, 144 POS. SLIDE-ON HOUSING						
		3 PLACES ±0.     ±.	CHECKED BY & DATE SREED 97/06/19	MOLEX INCORPORATED						
		2 PLACES ±0.05     ±.	APPROVED BY & DATE CBIXLER 97/06/19	CAD FILENAME S73810X1.DGN	MATERIAL NO. SEE CHART	DRAWING NO. SD-73810-001	SHEET NO. 1 OF 2			
1 PLACE ±0.10     ±.	ANGLAR: ± 1/2°	DRAFT WHERE APPLICABLE MUST REMAIN WITHIN DIMENSIONS		THIS DRAWING CONTAINS INFORMATION THAT IS PROPRIETARY TO MOLEX INCORPORATED AND SHOULD NOT BE USED WITHOUT WRITTEN PERMISSION.				SIZE B		

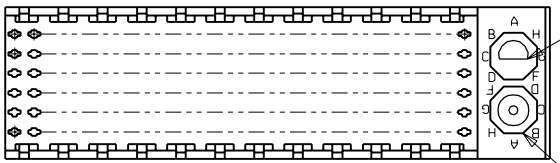
MATERIAL NUMBER ASSIGNMENT

73810- \* \* \* \*

1 = 144-CIRCUIT

0 = OPEN END VERSION  
 1 = CLOSED END VERSION  
 2 = POLAR/GUIDE VERSION

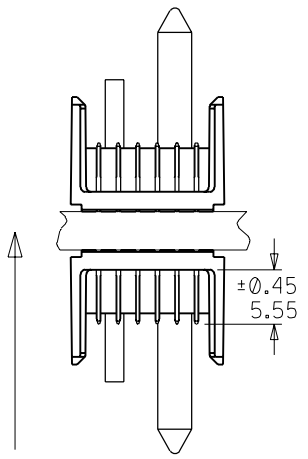
73800-1X00,  
 73801-1X00,  
 OR 73802-1XXX  
 MIDPLANE MODULE



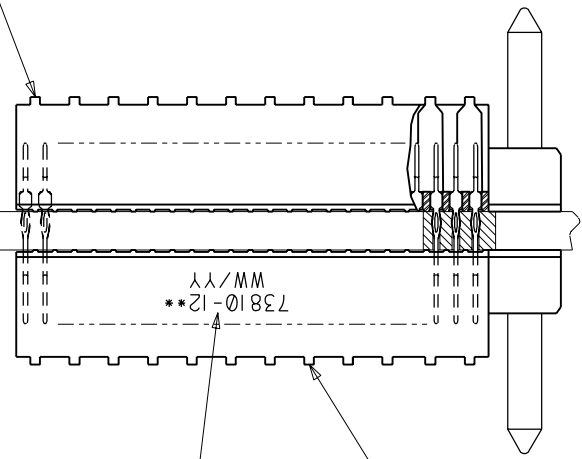
LOCATION B

LOCATION A

NUMBER	GUIDE POST LOCATION	POLAR KEY POSITION
00	N/A	N/A
01	B	A
02	A	A
03	B	B
04	A	B
05	B	C
06	A	C
07	B	D
08	A	D
09	B	E
10	A	E
11	B	F
12	A	F
13	B	G
14	A	G
15	B	H
16	A	H
17	B	N/A
18	A	N/A



±0.65  
 3.95



SEE NOTE 5

73810-12XX  
 POLAR/GUIDE HOUSING

SLIDE HOUSING OVER  
 TAILS OF MIDPLANE MODULE

SEE SHEET 1 EC NO. UDT2000-0443 DRWN: JBINGHAM 99/11/04 CHK: SREED 99/11/04 APPR: CBIXLER 99/11/04	QUALITY SYMBOLS MAJOR CRITICAL C=0	GENERAL TOLERANCES: (UNLESS SPECIFIED)		SCALE 2 : 1	DESIGN UNITS <input checked="" type="checkbox"/> mm <input type="checkbox"/> INCH	DIMENSIONS: <input type="checkbox"/> mm <input type="checkbox"/> INCH <input checked="" type="checkbox"/> mm ONLY	SHT REV	
		4 PLACES ±0.	3 PLACES ±0.	2 PLACES ±0.05	1 PLACE ±0.10	DRAWN BY & DATE JBINGHAM 97/06/19	CHECKED BY & DATE SREED 97/06/19	APPROVED BY & DATE CBIXLER 97/06/19
B	REV	DRAFT WHERE APPLICABLE MUST REMAIN WITHIN DIMENSIONS		ANGULAR: ± 1/2°	CAD FILENAME S73810X2.DGN	MATERIAL NO. SEE CHART	DRAWING NO. SD-73810-001	SHEET NO. 2
THIS DRAWING CONTAINS INFORMATION THAT IS PROPRIETARY TO MOLEX INCORPORATED AND SHOULD NOT BE USED WITHOUT WRITTEN PERMISSION.						MOLEX MOLEX INCORPORATED	SIZE B	