

JFW MODEL

115-764

IMPEDANCE

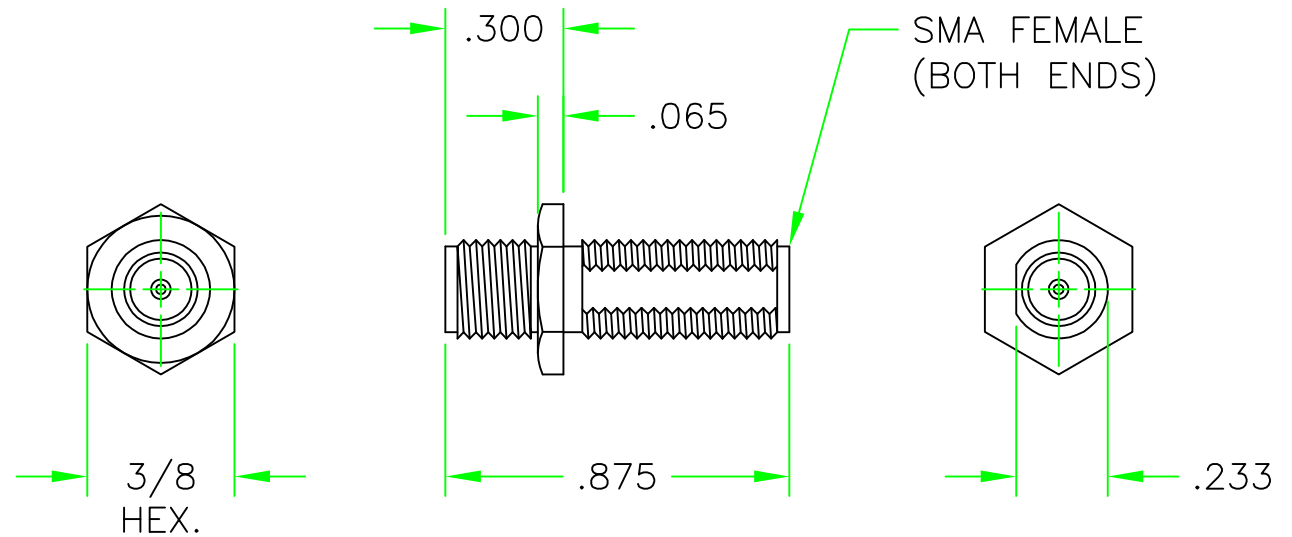
50 Ohms nominal

FREQUENCY RANGE

DC-18 GHz

VSWR (typical)

2 GHz 1.025:1
 4 GHz 1.011:1
 6 GHz 1.050:1
 8 GHz 1.066:1
 10 GHz 1.007:1
 12 GHz 1.096:1
 14 GHz 1.142:1
 16 GHz 1.073:1
 18 GHz 1.073:1

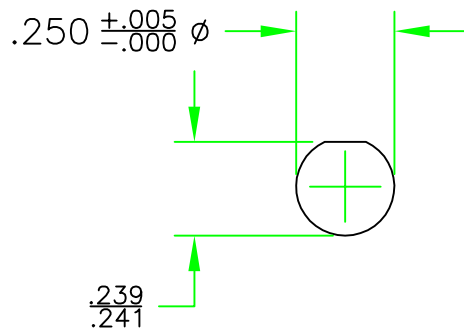


Connector Body

Passivated SS


Connector Pins

Gold plated BeCu



RECOMMENDED MOUNTING

NOTE: THIS PART IS SUPPLIED WITH HEXNUT & LOCKWASHER

REV	ECN	DATE	BY	APPR	 JFW INDUSTRIES, INC. www.jfwindustries.com PH: 317-887-1340	
-	ISSUED	4-19-18	JZ	TRS	MATERIAL STAINLESS STEEL FINISH PASSIVATED MODEL 115-764 SCALE 2X DESCRIPTION PANEL MOUNT RF ADAPTER SMA FEMALE/FEMALE	
A	28718	5-7-18	DTS	TRS		