



# MPSA42/43

## NPN SILICON TRANSISTOR

### HIGH VOLTAGE TRANSISTOR

■ DESCRIPTION

The UTC MPSA42/43 are high voltage transistors, designed for telephone switch and high voltage switch.

■ FEATURES

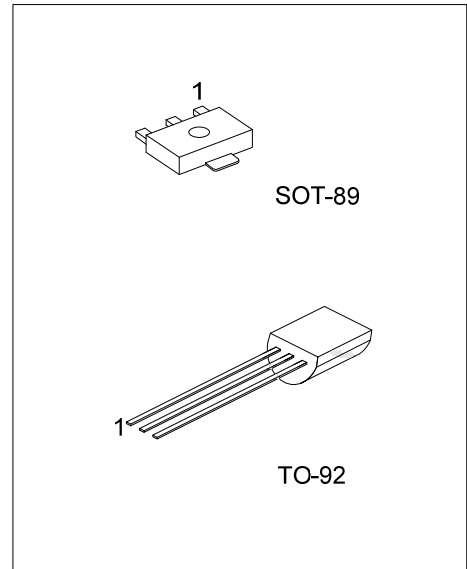
\*Collector-Emitter voltage:

$V_{CE0}=300V$ (UTC MPSA42)

$V_{CE0}=200V$ (UTC MPSA43)

\*High current gain

\*Complement to UTC MPSA92/93



\*Pb-free plating product number: MPSA42L  
MPSA43L

■ ORDERING INFORMATION

Ordering Number			Package	Pin Assignment			Packing
Normal	Lead Free	Halogen Free		1	2	3	
MPSA42-AB3-R	MPSA42L-AB3-R	MPSA42G-AB3-R	SOT-89	B	C	E	Tape Reel
MPSA42-T92-B	MPSA42L-T92-B	MPSA42G-T92-B	TO-92	E	B	C	Tape Box
MPSA42-T92-K	MPSA42L-T92-K	MPSA42G-T92-K	TO-92	E	B	C	Bulk
MPSA43-AB3-R	MPSA43L-AB3-R	MPSA43G-AB3-R	SOT-89	B	C	E	Tape Reel
MPSA43-T92-B	MPSA43L-T92-B	MPSA43G-T92-B	TO-92	E	B	C	Tape Box
MPSA43-T92-K	MPSA43L-T92-K	MPSA43G-T92-K	TO-92	E	B	C	Bulk

<p>MPSA42L-AB3-R</p> <p>(1)Packing Type</p> <p>(2)Package Type</p> <p>(3)Lead Plating</p>	<p>(1) B: Tape Box, K: Bulk, R: Tape Reel</p> <p>(2) AB3: SOT-89, T92: TO-92</p> <p>(3) G:Halogen Free, L: Lead Free Plating, Blank: Pb/Sn</p>
-------------------------------------------------------------------------------------------	------------------------------------------------------------------------------------------------------------------------------------------------

■ ABSOLUTE MAXIMUM RATINGS (Operating temperature range applies unless otherwise specified)

PARAMETER		SYMBOL	RATINGS	UNIT
Collector-Base Voltage	MPSA42	$V_{CBO}$	300	V
	MPSA43		200	V
Collector-Emitter Voltage	MPSA42	$V_{CEO}$	300	V
	MPSA43		200	V
Emitter-Base Voltage		$V_{EBO}$	6	V
Collector Current		$I_C$	500	mA
Collector Dissipation ( $T_a=25^\circ\text{C}$ )	SOT-89	$P_C$	500	mW
	TO-92		625	mW
Junction Temperature		$T_J$	150	$^\circ\text{C}$
Storage Temperature		$T_{STG}$	-55 ~ +150	$^\circ\text{C}$

Note: Absolute maximum ratings are those values beyond which the device could be permanently damaged. Absolute maximum ratings are stress ratings only and functional device operation is not implied.

■ ELECTRICAL CHARACTERISTICS ( $T_J = 25^\circ\text{C}$ , unless otherwise specified)

PARAMETER		SYMBOL	TEST CONDITIONS	MIN	TYP	MAX	UNIT
Collector-Base Breakdown Voltage	MPSA42	$BV_{CBO}$	$I_C=100\mu\text{A}, I_E=0$	300			V
	MPSA43			200			V
Collector-Emitter Breakdown Voltage	MPSA42	$BV_{CEO}$	$I_C=1\text{mA}, I_B=0$	300			V
	MPSA43			200			V
Emitter-Base Breakdown Voltage		$BV_{EBO}$	$I_E=100\mu\text{A}, I_C=0$	6			V
Collector Cut-Off Current	MPSA42	$I_{CBO}$	$V_{CB}=200\text{V}, I_E=0$			100	nA
	MPSA43		$V_{CB}=160\text{V}, I_E=0$			100	nA
Emitter Cut-Off Current	MPSA42	$I_{EBO}$	$V_{EB}=6\text{V}, I_C=0$			100	nA
	MPSA43		$V_{EB}=4\text{V}, I_C=0$			100	nA
DC Current Gain		$h_{FE}$	$V_{CE}=10\text{V}, I_C=1\text{mA}$	80			
			$V_{CE}=10\text{V}, I_C=10\text{mA}$	80		300	
			$V_{CE}=10\text{V}, I_C=30\text{mA}$	80			
Collector-Emitter Saturation Voltage		$V_{CE(SAT)}$	$I_C=20\text{mA}, I_B=2\text{mA}$			0.2	V
Base-Emitter Saturation Voltage		$V_{BE(SAT)}$	$I_C=20\text{mA}, I_B=2\text{mA}$			0.90	V
Current Gain Bandwidth Product		$f_T$	$V_{CE}=20\text{V}, I_C=10\text{mA}, f=100\text{MHz}$	50			MHz
Collector Base Capacitance	MPSA42	$C_{cb}$	$V_{CB}=20\text{V}, I_E=0, f=1\text{MHz}$			3	pF
	MPSA43					4	pF

## TYPICAL CHARACTERISTICS

Fig.1 DC Current Gain

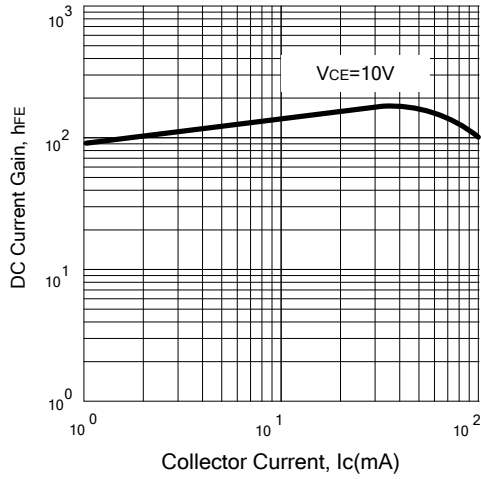


Fig.2 Saturation Voltage

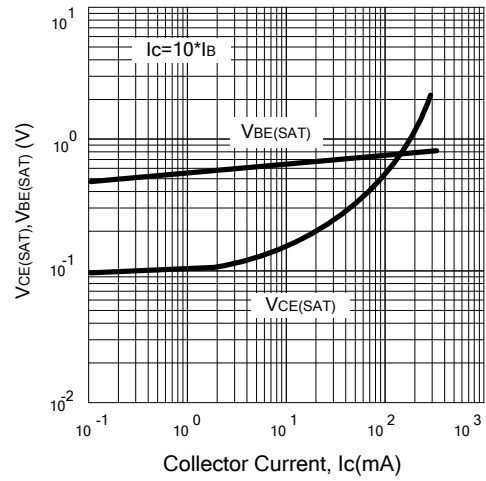


Fig.3 Capacitance

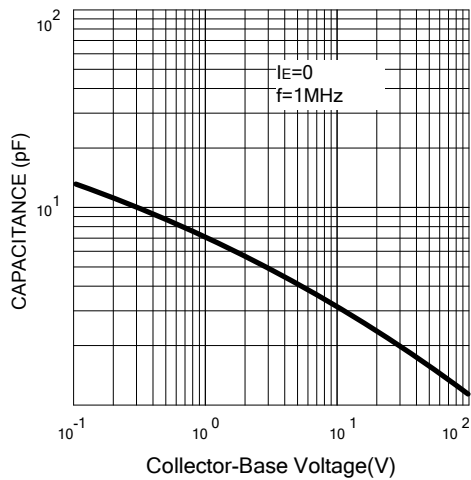
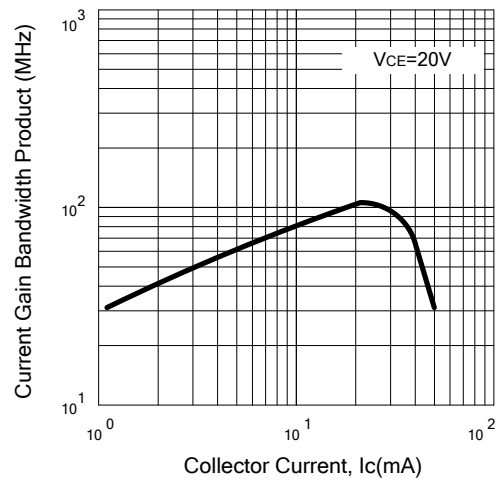


Fig.4 Current Gain Bandwidth Product



UTC assumes no responsibility for equipment failures that result from using products at values that exceed, even momentarily, rated values (such as maximum ratings, operating condition ranges, or other parameters) listed in products specifications of any and all UTC products described or contained herein. UTC products are not designed for use in life support appliances, devices or systems where malfunction of these products can be reasonably expected to result in personal injury. Reproduction in whole or in part is prohibited without the prior written consent of the copyright owner. The information presented in this document does not form part of any quotation or contract, is believed to be accurate and reliable and may be changed without notice.