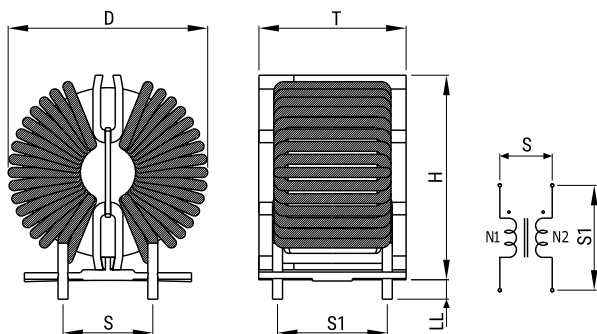


KEMET Part Number: SCR31H-225-2R0A014J
(UALF32R0A014J0)

KEMET, SCR-H, AC Line Filters, Common Mode, 1400 uH



Dimensions

D	45mm MAX
T	31mm MAX
H	44mm MAX
LL	5mm +/-2mm
S	18mm NOM

Packaging Specifications

Packaging:	Tray
Packaging Quantity:	60
Weight:	87 g

General Information

Series:	SCR-H
Style:	Through-Hole
Features:	High Impedance, Space Saving
RoHS:	Yes
Miscellaneous:	Temperature Rise Maximum: 68 K

Specifications

Voltage AC:	250 VAC/VDC
Voltage DC:	250 VDC
Inductance:	1.4 mH
Current:	22.5 A
Temperature Range:	-25/+120°C
DC Resistance:	5 mOhms

Statements of suitability for certain applications are based on our knowledge of typical operating conditions for such applications, but are not intended to constitute - and we specifically disclaim - any warranty concerning suitability for a specific customer application or use. This Information is intended for use only by customers who have the requisite experience and capability to determine the correct products for their application. Any technical advice inferred from this Information or otherwise provided by us with reference to the use of our products is given gratis, and we assume no obligation or liability for the advice given or results obtained.