

**PLEASE CHECK WWW.MOLEX.COM FOR LATEST PART INFORMATION**

**Part Number:** [0907790010](#)  
**Status:** **Active**  
**Description:** 1.27mm (.050") Pitch Picoflex® PF-50 Header, Vertical, Low Profile, High Temperature Surface Mount Compatible, 20 Circuits, Glow Wire Compatible

**Documents:**

[3D Model](#) [Product Specification PS-99020-0011 \(PDF\)](#)  
[Drawing \(PDF\)](#) [RoHS Certificate of Compliance \(PDF\)](#)

**General**

Product Family PCB Headers  
 Series [90779](#)  
 Application Wire-to-Board  
 Application Tooling Part Link 690081070  
 Product Name Picoflex®

**Physical**

Breakaway No  
 Circuits (Loaded) 20  
 Color - Resin Natural  
 Durability (mating cycles max) 30  
 First Mate / Last Break No  
 Glow-Wire Compliant Yes  
 Guide to Mating Part No  
 Keying to Mating Part None  
 Lock to Mating Part Yes  
 Material - Metal Brass  
 Material - Plating Mating Tin  
 Material - Resin High Temperature Thermoplastic  
 Number of Rows 1  
 Orientation Vertical  
 PCB Retention Yes  
 PCB Thickness Recommended (in) 0.062 In  
 PCB Thickness Recommended (mm) 1.60 mm  
 Packaging Type Bag  
 Pitch - Mating Interface (in) 0.050 In  
 Pitch - Mating Interface (mm) 1.27 mm  
 Plating min: Mating (µin) 160  
 Plating min: Mating (µm) 4  
 Plating min: Termination (µin) 160  
 Plating min: Termination (µm) 4  
 Polarized to Mating Part Yes  
 Polarized to PCB Yes  
 Shrouded No  
 Stackable No  
 Surface Mount Compatible (SMC) Yes  
 Temperature Range - Operating -40°C to +105°C  
 Termination Interface: Style Through Hole

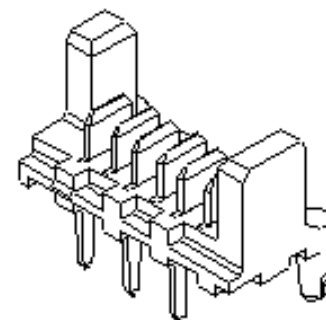
**Electrical**

Current - Maximum per Contact 1.2A  
 Voltage - Maximum 250V

**Solder Process Data**

Lead-free Process Capability Wave Capable (TH only)

**Material Info**



Series

image - Reference only

**EU RoHS**

**ELV and RoHS Compliant**

**REACH SVHC**

**Contains SVHC: No**

**Halogen-Free**

**Status**

**Not Halogen-Free**

**China RoHS**



**Need more information on product environmental compliance?**

Email [productcompliance@molex.com](mailto:productcompliance@molex.com)  
 For a multiple part number RoHS Certificate of Compliance, [click here](#)

Please visit the [Contact Us](#) section for any non-product compliance questions.

**Search Parts in this Series**

[90779Series](#)

**Mates With**

[90327 IDT Connector](#)

**Application Tooling | FAQ**

*Tooling specifications and manuals are found by selecting the products below. Crimp Height Specifications are then contained in the Application Tooling Specification document.*

**Global**

Description	Product #
Extraction Tool (Plastic) for 90327 Connector, 4-26 Circuit	<a href="#">0690081070</a>

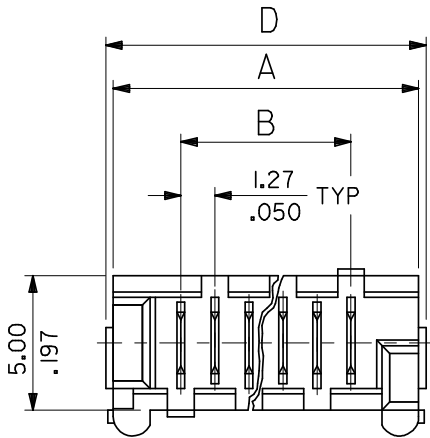
**Reference - Drawing Numbers**

Product Specification  
Sales Drawing

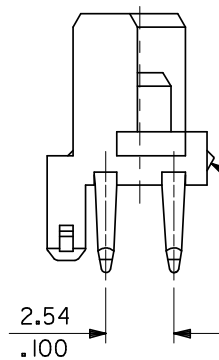
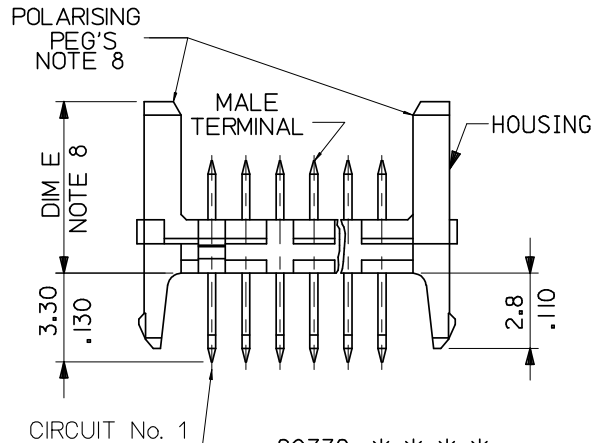
PS-99020-0011  
SDA-90779

This document was generated on 04/23/2010

**PLEASE CHECK [WWW.MOLEX.COM](http://WWW.MOLEX.COM) FOR LATEST PART INFORMATION**

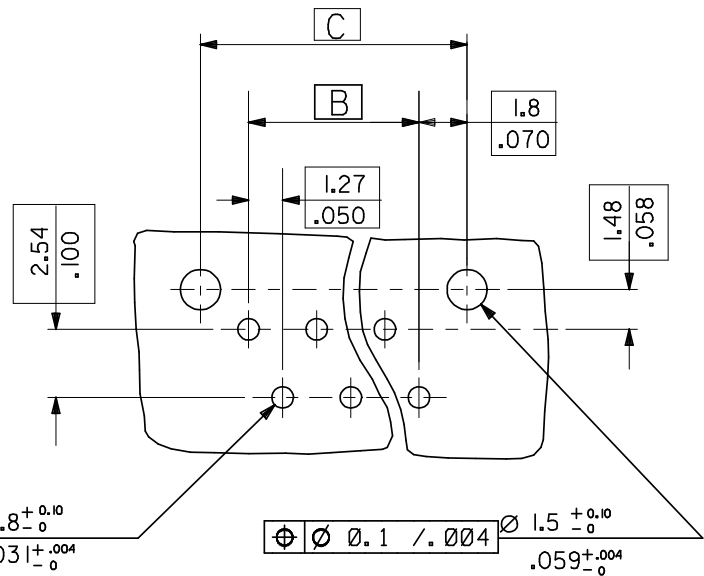


MOULD BASE COLOUR: NATURAL



LATCH FOR FEMALE CONNECTOR

PCB LAYOUT VIEWED FROM SOLDER SIDE. BOARD 1.60 ± 0.14 THK .063 ± 0.006 THK.



PART NO.	NO. OF CKTS	DIM. A	DIM. B	DIM. C	DIM. D	NO. ASSYS IN TUBE
90779-***13	26	36.80 / 1.449	31.75 / 1.250	35.35 / 1.392	37.26 / 1.467	14
↑ -**12	24	34.26 / 1.349	29.21 / 1.150	32.81 / 1.292	34.72 / 1.367	15
-**11	22	31.72 / 1.249	26.67 / 1.050	30.27 / 1.192	32.18 / 1.267	16
-**10	20	29.18 / 1.149	24.13 / .950	27.73 / 1.092	29.64 / 1.167	18
-**08	18	26.64 / 1.049	21.59 / .850	25.19 / .992	27.10 / 1.067	19
-**07	16	24.10 / .949	19.05 / .750	22.65 / .892	24.56 / .967	22
-**06	14	21.56 / .849	16.51 / .650	20.11 / .792	22.02 / .867	24
-**05	12	19.02 / .749	13.97 / .550	17.57 / .692	19.48 / .767	27
-**04	10	16.48 / .649	11.43 / .450	15.03 / .592	16.94 / .667	32
-**03	8	13.94 / .549	8.89 / .350	12.49 / .492	14.40 / .567	36
↓ -**02	6	11.40 / .449	6.35 / .250	9.95 / .392	11.86 / .467	44
90779-***01	4	8.86 / .349	3.81 / .150	7.41 / .292	9.32 / .367	57

CIRCUIT No. 1 90779-\*\*\*

0 = 4-6um TIN ASSY  
 3 = 0.76um GOLD ASSY  
 7 = 0.76um GOLD, TUBED  
 9 = 4-6um TIN ASSY TUBED

CIRCUIT SIZE 04CKT TO 26CKT  
 -SEE TABLE ABOVE FOR PART CODE

0 - STANDARD  
 9 - SHORT VERSION

NOTES

1. HOUSING. NYLON 46, GLASS FILLED UL 94 V-0, NATURAL (WHITE).  
 2. TERMINAL. BRASS  
 PLATING. TIN: 0.00127mm/.011" MIN NICKEL  
 UNDER 0.004-0.006mm/.160-.240" TIN

PLATING. GOLD: 0.00127mm/.050" MIN. NICKEL  
 UNDER 0.003-0.005mm/.120-.200" TIN SELECTIVE  
 AND 0.00076mm/.030" SELECTIVE GOLD

3. APPLICATION CLASS TO DIN 40040 HME (-25°C/+100°C)  
 4. PIN PUSH FORCE 7N  
 5. TEST VOLTAGE: 750V.A.C./1 MIN  
 6. COMPATIBLE WITH MOLEX PART 90327  
 7. PRODUCT SPECIFICATION: PS-99020-0011  
 8. POLARISING PEG AVAILABLE IN 2 OPTIONS  
 DIM E: STANDARD 6.40mm/.252"  
 DIM E: SHORT VERSION 4.10mm/.161"

REV	DESCRIPTION	DATE	APPROVED
1	ADDED PART NUMBERS SHORT POL PEG VERSION	2008/02/28	DRMNI:BBYRNES
2		2008/02/28	CHKD: JWALLACE
3		2008/02/28	APPR: JWALLACE

GENERAL TOLERANCES (UNLESS SPECIFIED)		DIMENSION STYLE		SCALE	DESIGN UNITS	THIRD ANGLE PROJECTION
mm	INCH	MM/IN	DATE	5:1	METRIC	
4 PLACES ± ---	± .008	BGB	1992/08/21			
3 PLACES ± 0.20	± .008	CHECKED BY	DATE			
2 PLACES ± 0.20	± ---	DMOR I ARTY	2004/12/03			
1 PLACE ± ---	± ---	APPROVED BY	DATE			
		JDENNEHY	2004/12/03			
ANGULAR ± ---°		MATERIAL NO.	DOCUMENT NO.			
DRAFT WHERE APPLICABLE MUST REMAIN WITHIN DIMENSIONS		SEE CHART	SDA-90779			

TITLE		SHEET NO.	
HEADER ASSEMBLY		1 OF 1	
MOLEX INCORPORATED			
THIS DRAWING CONTAINS INFORMATION THAT IS PROPRIETARY TO MOLEX INCORPORATED AND SHOULD NOT BE USED WITHOUT WRITTEN PERMISSION			