

**PLEASE CHECK WWW.MOLEX.COM FOR LATEST PART INFORMATION**

**Part Number:** [0194351212](#)  
**Status:** **Active**  
**Overview:** [MX150L Industrial Sealed Connector System](#)  
**Description:** MX150L 12 Circuit Rear Mount Flange Plug for 18-22 AWG Wire, with Gasket

**Documents:**

<a href="#">3D Model</a>	<a href="#">Packaging Specification PK-19435-001 (PDF)</a>
<a href="#">Drawing (PDF)</a>	<a href="#">RoHS Certificate of Compliance (PDF)</a>
<a href="#">Product Specification PS-19417-001-001 (PDF)</a>	<a href="#">Product Literature (PDF)</a>

**General**

Product Family	Crimp Housings
Series	<a href="#">19435</a>
Application	Power, Wire-to-Wire
Comments	Mat Seal Color is Red. IP67 rated; conforms to UL 1977. NOT suitable for automotive applications with requirements such as USCAR-2, USCAR-25, GMW3191, AK Testing, J2030, Volvo Technology Requirements, and Toyota Connector Spec (TCS)
Overview	<a href="#">MX150L Industrial Sealed Connector System</a>
Product Literature Order No	987650-2181
Product Name	MX150L
UPC	822350301091

**Physical**

Circuits (maximum)	12
Gender	Plug
Glow-Wire Capable	No
Lock to Mating Part	Yes
Number of Rows	2
Packaging Type	Bag
Panel Mount	Yes
Pitch - Mating Interface	5.84mm
Polarized to Mating Part	Yes
Stackable	No
Temperature Range - Operating	-40°C to +125°C

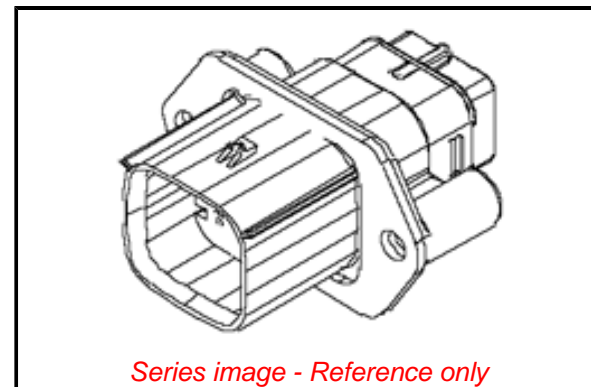
**Electrical**

Current - Maximum per Contact	18.0A
-------------------------------	-------

**Material Info**

**Reference - Drawing Numbers**

Packaging Specification	PK-19435-001
Product Specification	PS-19417-001-001
Sales Drawing	SD-19435-012



**EU ELV**

**Not Relevant**

**EU RoHS**

**Compliant**

**REACH SVHC**

Not Contained Per  
-ED/01/2018 (15  
January 2018)

**Halogen-Free**

**Status**

**Low-Halogen**

**Need more information on product environmental compliance?**

Email [productcompliance@molex.com](mailto:productcompliance@molex.com)  
Please visit the [Contact Us](#) section for any non-product compliance questions.

China ROHS	Green Image
ELV	Not Relevant
RoHS Phthalates	Not Contained

**Search Parts in this Series**

[19435](#) Series

**Mates With**

[19418](#) Receptacle Assemblies

**Use With**

[19417](#) Male Crimp Terminals