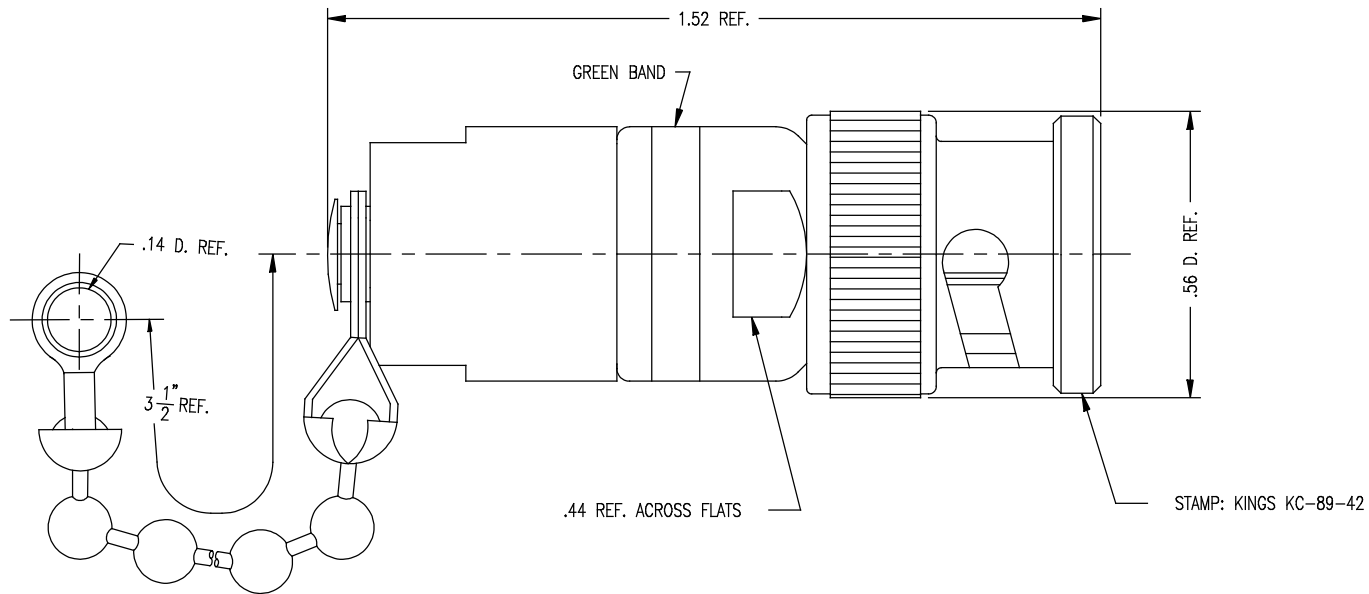


DASH NO.	M CODE	MADE FROM
----------	--------	-----------

GSD

REVISIONS	
ISSUE	CHANGES
6	CN 33736 C REDRAWN KH 03/23/92

KC-89-42



NOTES:

1. INTERFACE PER MIL-STD-348, FIG. 301-1.
2. MATERIALS:
INSULATOR-TEFLON, ASTM-D-1457
GASKET-SILICONE RUBBER, ZZ-R-765
SPRING WASHER-BER. COP., ASTM-B-196
ALL OTHER METAL PARTS-BRASS, ASTM-B16
3. FINISHES:
ALL METAL PARTS-SILVER PLATE PER QQ-S-365
4. ELECTRICAL CHARACTERISTICS:
POWER RATING-1/2 WATT
IMPEDANCE-50 OHMS ±1%

KAM1849

SCALE	4:1	
APPROX SURFACE AREA		
USED ON		
REF:		
TERMINATION, 50 OHMS 1% 1/2W, BNC		
DRAWN	KH	DATE 03/23/92
DESIGN	LI	DATE 03/23/92
APPR.		DATE

GSD

KINGS
ELECTRONICS CO., INC.
TUCKAHOE, NEW YORK 10707

KC-89-42