

6

5

4

3

2

1

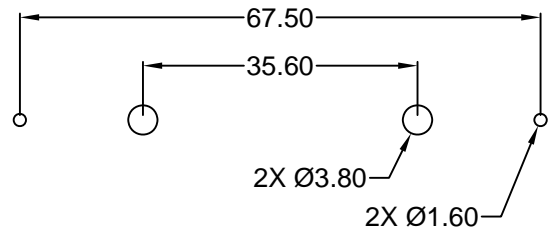
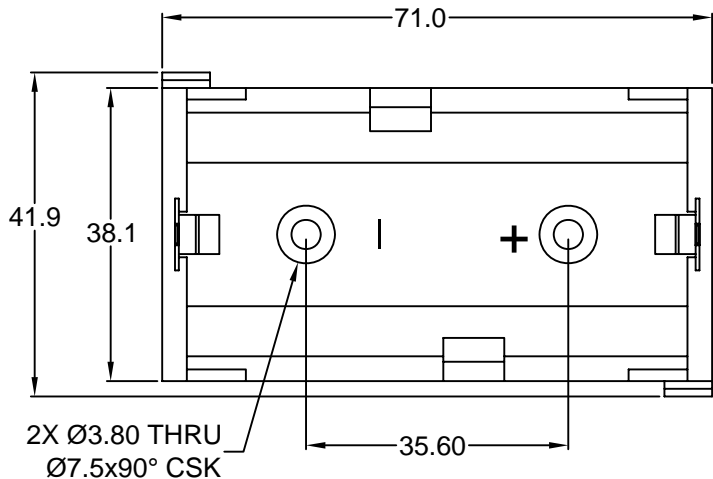
**MATERIAL AND FINISH:**

Insulator: Glass filled Nylon, black,  
UL-94-HB rated  
Contacts: Clean Nickel Silver

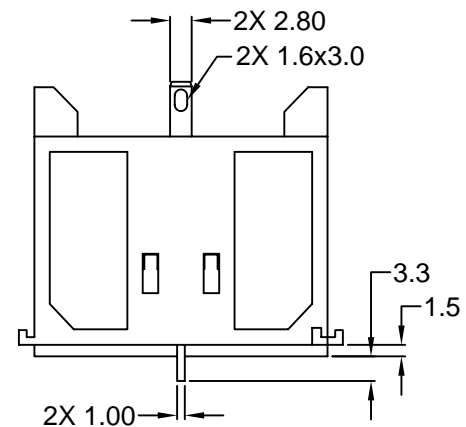
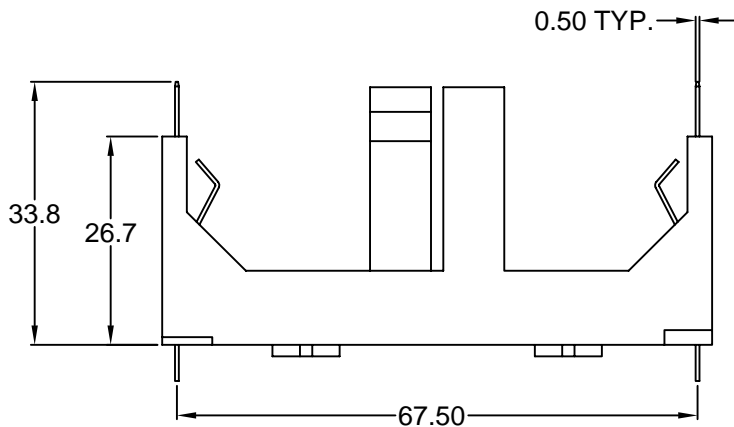
**ENVIRONMENTAL**

Operating temperature: -30°C TO +70°C

RoHS  
COMPLIANT



RECOMMENDED  
PCB LAYOUT



REV	DATE	CHANGE	CHNG		CHK		APPR	
			GO	TD	PB			
A	03/15/02	REVISED / UPDATED						

REVISIONS

TOLERANCE UNLESS OTHERWISE SPECIFIED	
X	± 1
X.X	± 0.4
X.XX	± 0.20
DRAWN BY	PB
DATE:	11/20/01
CHECK BY	TD
DATE:	11/20/01
APPR BY	
DATE:	

**Power Dynamics, Inc.**  
 Phone: 973 560-0019 Whippany, New Jersey Fax: 973 560-0076

PART: 1 CELL D (R20) BATTERY HOLDER  
 INTERLOCKING; PCB / BASEBOARD MOUNT

**B37**

SIZE: A  
 SCALE: NTS

ALL DIMENSIONS FOR REFERENCE ONLY  
 DIMENSIONS ARE IN MILLIMETERS

SHEET 1 of 1  
 REV: A