

Pressure &

Vacuum Measurement Solutions

WWW.MKSINST.COM

# Test Diagnostic Boards

## CALIBRATION, VOLTAGE MONITORING & TROUBLESHOOTING

MKS voltage monitoring diagnostic boards offer a convenient and fast method for calibrating, testing and troubleshooting MKS Mass Flow Controllers, Baratron® Capacitance Manometers and other electronic instruments.

### Features

- Industry standard DB-9, 15, 15HD, 25 and 37, male/female connectors
- One-to-one pin out configuration
- Solder post test terminals for each connector line
- Compact package allows for testing, calibration and set up, and troubleshooting in tight spaces

### Benefits

- Diagnose problems without removing the instrument from the system
- Monitor the “health” of the Baratron or Flow Controller
- Perform a baseline on each type of MFC to understand what the response is under normal circumstances
- Verify power supply voltage level and condition
- Check for ground loops or stray voltages between the common and ground pins

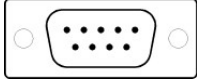
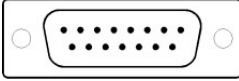
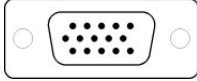
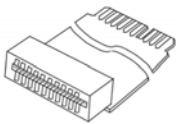
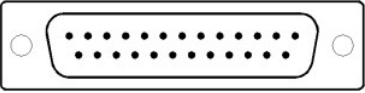
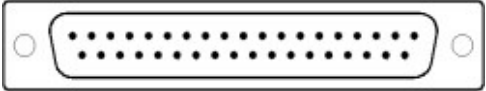



MKS Baratron® Capacitance Manometer with TDB-15 Voltage Monitoring Diagnostic Board

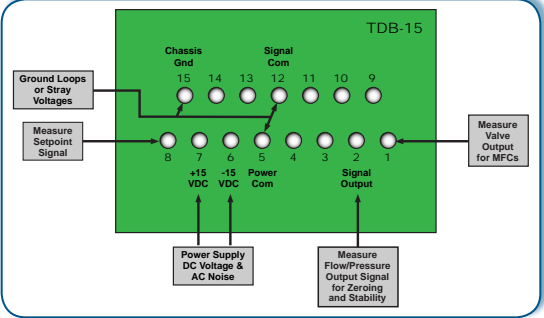
MKS test diagnostic printed circuit boards are configured with standard, male and female D-type connectors with a straight one-to-one pin out configuration. These boards can be inserted between the I/O connector of an instrument and it's mating cable, providing easy and clean access to test pins connected directly to the instruments' I/O contacts. This allows insitu monitoring of instrument input and output signals, supply power and ground quality. In addition, these boards can be used to calibrate and zero MKS Baratron® Capacitance Manometers and Mass Flow Controllers.



# Specifications

Part Number	Description	Connector Illustration
<b>TDB-9</b>	Test diagnostic board with 9 pin D female to male	
<b>TDB-15</b>	Test diagnostic board with 15 pin D female to male	
<b>TDB-15HD</b>	Test diagnostic board with 15 pin high density D female to male	
<b>TCE-20</b>	Test diagnostic board with 20 pin edge card female to male	
<b>TDB-25</b>	Test diagnostic board with 25 pin D female to male	
<b>TDB-37</b>	Test diagnostic board with 37 pin D female to male	





**Diagnostic Board (P/N TDB-15) for Electrical Troubleshooting**

*For instrument calibration, electronic testing and troubleshooting MKS recommends taking measurements directly at the interface connector of the unit. This eliminates erroneous noise, typically generated by incorrect grounding.*



**MKS Instruments, Inc.  
Global Headquarters**

2 Tech Drive, Suite 201  
Andover, MA 01810  
Tel: 978.645.5500  
Tel: 800.227.8766 (in U.S.A.)  
Web: www.mksinst.com

**MKS Instruments, Inc.  
Pressure & Vacuum Measurement Solutions**

Six Shattuck Road  
Andover, MA 01810  
Tel: 978.975.2350