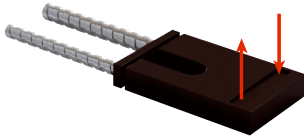


LL3-DH11

LL3

FIBER-OPTIC SENSORS AND FIBERS

SICK
Sensor Intelligence.



Ordering information

Type	Part no.
LL3-DH11	5326024

Other models and accessories → www.sick.com/LL3

Detailed technical data

Features

Device type	Fibers
Detection principle	Proximity system
For fiber-optic sensor	GLL170(T), WLL180T, WLL24 Ex
Fiber length	2 m
Fiber material	Polymethylmethacrylat (PMMA)
Jacket material	Stainless steel
Fiber head material	Polyphenylensulfid (PPS)
Outer diameter, fiber-optic cable connection	2.2 mm
Fiber-optic cable cuttable	✓
Fiber-optic head design	Flat type
Fiber arrangement	Monofiber
Core structure	S: Ø 1,2 mm R: Ø 1,5 mm Monofiber
Bend radius, fibre-optic cable	25 mm
Compatibility with infrared light (1,450 nm)	No
Ambient operating temperature	-20 °C ... +250 °C
Application	Heat-resistant (≥100 °C)
Highly flexible/elastic fibers (bend radius 1–4 mm)	No
Adapter end sleeves required	No
Minimal object diameter	0.02 mm ¹⁾
Compatibility tip adapters	No

¹⁾ Minimum detectable object was determined at optimum measuring distance and optimum setting.

Classifications

ECl@ss 5.0	27270905
ECl@ss 5.1.4	27270905
ECl@ss 6.0	27270905
ECl@ss 6.2	27270905
ECl@ss 7.0	27270905
ECl@ss 8.0	27270905
ECl@ss 8.1	27270905
ECl@ss 9.0	27270905
ETIM 5.0	EC002651

ETIM 6.0	EC002651
UNSPSC 16.0901	39121528

Sensing ranges with WLL180T

Operating mode 16 µs	8 mm ... 19 mm
Operating mode 70 µs	6 mm ... 29 mm
Operating mode 250 µs	4 mm ... 34 mm
Operating mode 2 ms	339 mm
Operating mode 8 ms	2 mm ... 42 mm

Sensing ranges with GLL170

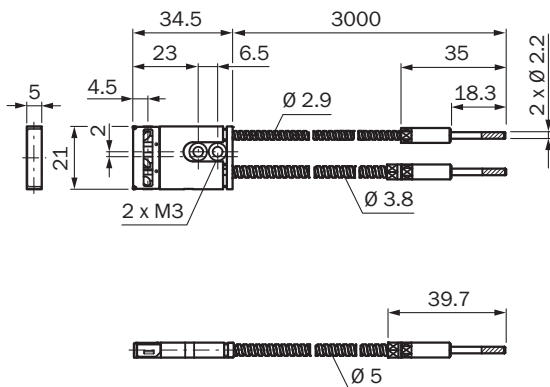
Operating mode 250 µs	7.5 mm ... 26 mm
------------------------------	------------------

Sensing ranges with GLL170T

Operating mode 50 µs	11 mm ... 14.5 mm
Operating mode 250 µs	5.6 mm ... 19 mm

Dimensional drawing (Dimensions in mm (inch))

LL3-DH11



SICK AT A GLANCE

SICK is one of the leading manufacturers of intelligent sensors and sensor solutions for industrial applications. A unique range of products and services creates the perfect basis for controlling processes securely and efficiently, protecting individuals from accidents and preventing damage to the environment.

We have extensive experience in a wide range of industries and understand their processes and requirements. With intelligent sensors, we can deliver exactly what our customers need. In application centers in Europe, Asia and North America, system solutions are tested and optimized in accordance with customer specifications. All this makes us a reliable supplier and development partner.

Comprehensive services complete our offering: SICK LifeTime Services provide support throughout the machine life cycle and ensure safety and productivity.

For us, that is “Sensor Intelligence.”

WORLDWIDE PRESENCE:

Contacts and other locations –www.sick.com