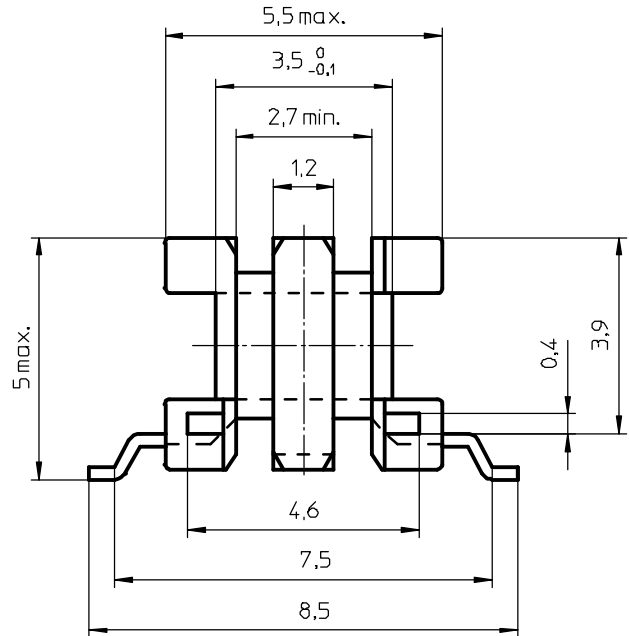
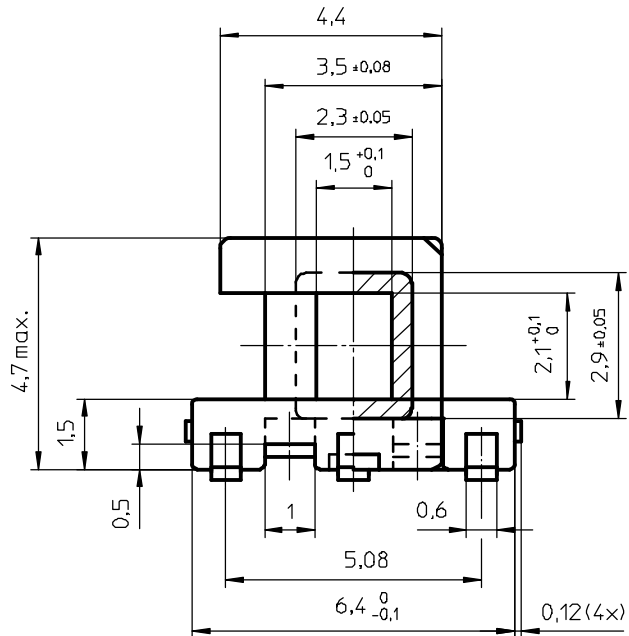
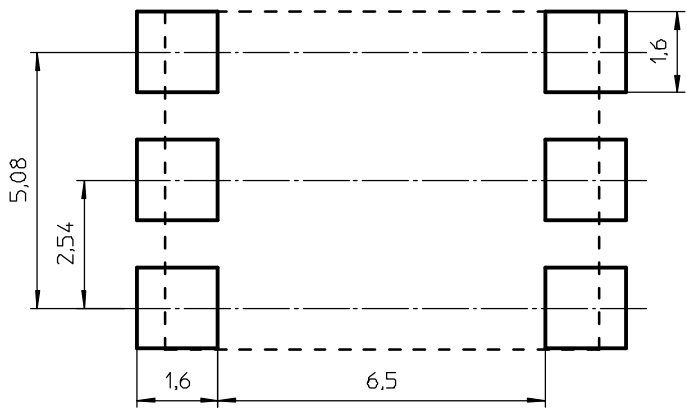




1 2 3 4 5 6 7 8



PROPOSED PAD ARRANGEMENT



Coil former material: Sumikasuper E4008 (LCP), glass-reinforced.
 UL file number: E54705 - UL94V-0
 Pin material: CuSn - Ni flash, Sn plated.
 Max. operating temp.: acc. to IEC 60085 class F, 155°C.
 Resistance to soldering heat: acc. to IEC 60068-2-20 Part 2, Test Tb, method 1B, 350°C - 3.5sec.
 Solderability: acc. to IEC 60068-2-20 Part 2, Test Ta, method 1, 235°C - 2sec.
 Min. winding area: 0,9 mm².
 Mean length of turn: 12,8 mm.

CLASS NO.		03-02-20	
CPHS-E6.3/2-2S-6P-Z		4322 021 06061	
NAME: M.Veekens	SUPERS: 1	SP: 112	001
MPA	CHECK: 03-02-20	DATE: 03-02-20	PROPERTY OF: Elgeman van
DATE: 03-02-20		© FERROXCUBE 2000	

1 2 3 4

a
b
c
d
e
f