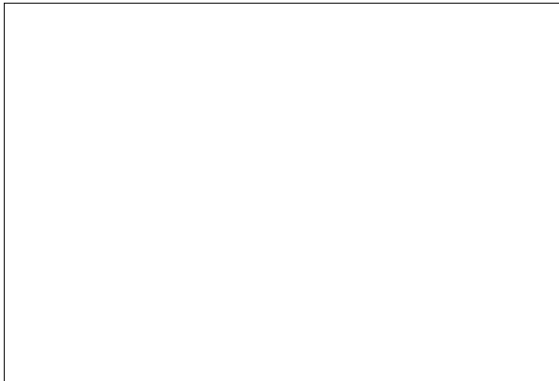


SMTD-100H

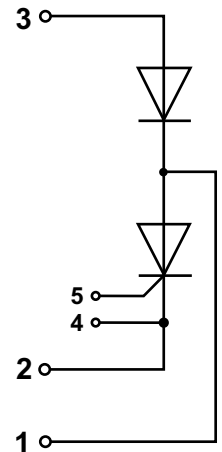
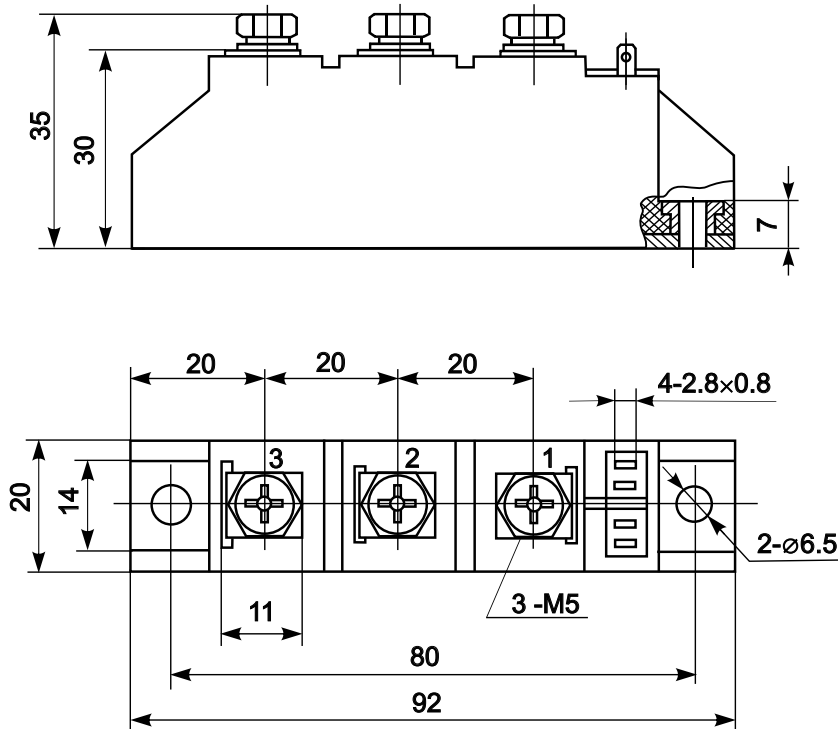


Thyristor-Diode Module



Type	V_{RSM}	V_{RRM} , V_{DRM}
SMTD-100H-08	1000	800
SMTD-100H-12	1400	1200
SMTD-100H-14	1600	1400
SMTD-100H-16	1800	1600
SMTD-100H-18	2000	1800
SMTD-100H-20	2200	2000
SMTD-100H-22	2400	2200
SMTD-100H-24	2600	2400

Type	I_{TAVM} , I_{FAVM}	I_{TRMS} , I_{FRMS}	T_c	I_{TSM} , I_{FSM}	$(di/dt)_{cr}$	$(dv/dt)_{cr}$	V_{TM}	I_{TM} , I_{FM}	V_{TO}	r_T	t_q	V_{GT}	I_{GT}	T_{VJM}	V_{isol}	R_{thJC}
	A	A	°C	kA	A/μs	V/μs	V	A	V	mΩ	μs	V	mA	°C	V	K/W
SMTD-100H	110	190	85	2.4	100	800	1.90	330	0.85	3.7	150	2.0	100	125	2500	0.25



Features:

- Industrial standard package
- Heat transfer through aluminium nitride ceramic isolated metal baseplate
- Precise internal pressure contacts for high reliability
- 2500V RMS isolation voltage

Typical Applications:

- DC motor control
- AC motor soft starter
- Temperature control (e.g. for ovens, chemical processes)
- Lighting control