

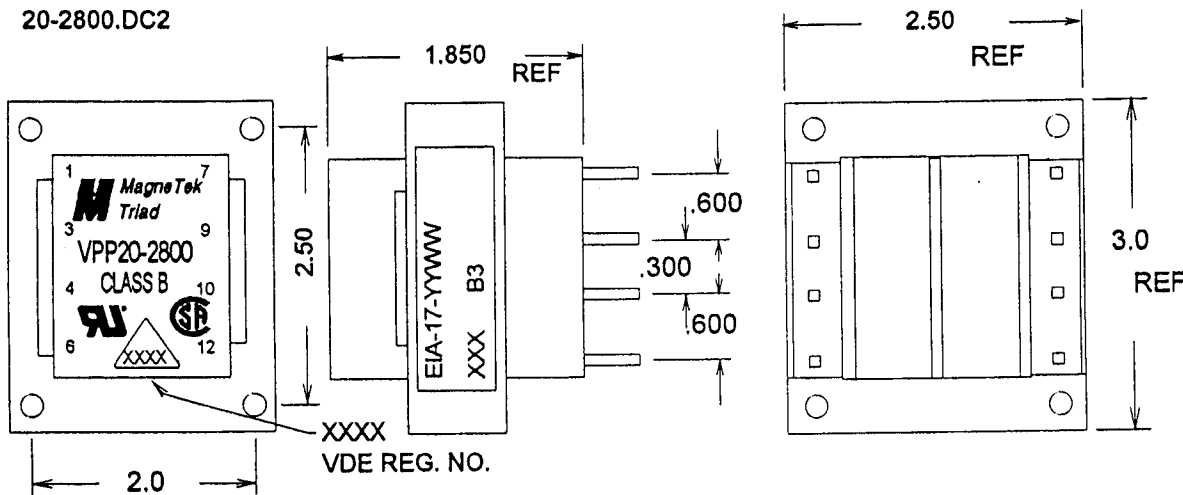
TOLERANCE UNLESS SPECIFIED =

.XXX = +/- .005

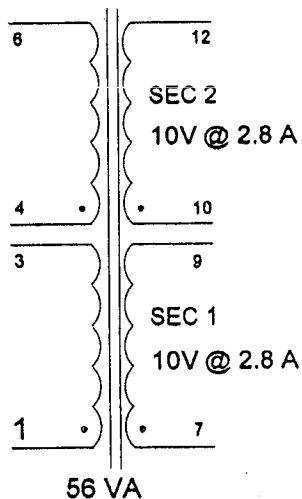
.XX = +/- .015

FRACTIONS = +/- .032

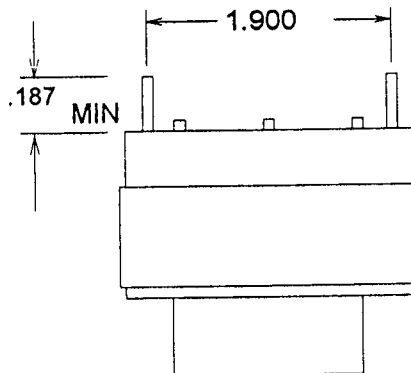
20-2800.DC2



115/230V
50/60 HZ



PC PINS .045 SQ



PRODUCTION TESTS

URNS RATIO = 100%

DC RESISTANCE IN OHMS	1-3 =	21.5 NOM
	4-6 =	26.5 NOM
	7-9 =	.218 NOM
	10-12 =	.270 NOM

MAX EXCITATION CURRENT = 75 MA

APPLY 230V 60HZ 1-6 (3+4)

PRI WDGS 114.5 TO 115.5 V

SEC WDGS 11.4 TO 12 V

HIPOT: 4000V P-S
4000V P,S, TO CORE
600V P-P, S-S

FINAL ASSEMBLY NOTES

MagneTek

VPP20-2800