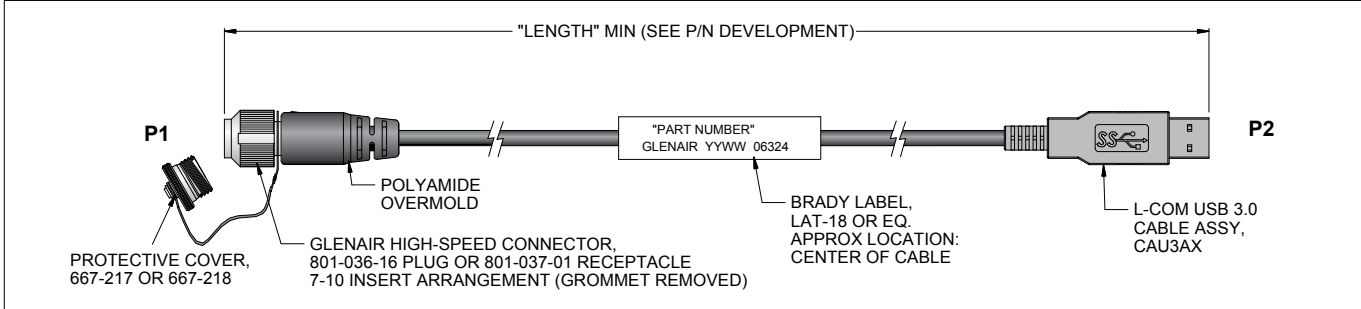




# Series 801 USB 3.0 Cordsets

Mighty Mouse *High-Speed* Connector to L-COM eSATA Connector  
with Double-Start ACME Threads  
801-078 Oding Information

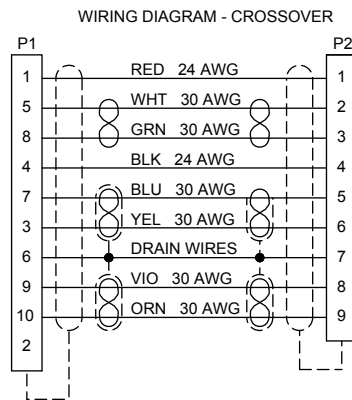
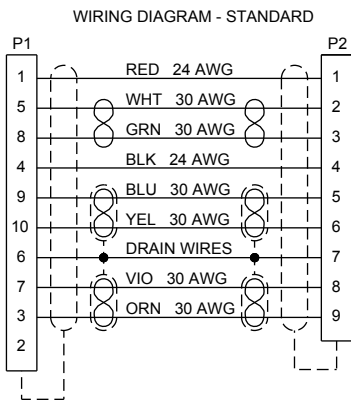
## 801-078: Series 801 Mighty Mouse High-Speed USB 3.0 Overmolded Cordset



How To Order	
Sample Part Number	801-078 -A NF N A -48 X
Series	801-078 = Series 801 Mighty Mouse to L-COM USB 3.0 cordset
P1 Connector	-A = Plug with Pin Contacts -B = Plug with Socket Contacts -C = Receptacle with Pin Contacts -D = Receptacle with Socket Contacts
Shell Material / Finish	M = Aluminum / Electroless Nickel RoHS Compliant NF = Aluminum / Cadmium with Olive Drab Chromate ZNU = Aluminum / Zinc-Nickel with Black Chromate MT = Aluminum / Nickel-PTFE, RoHS Compliant Z1 = Stainless Steel / Passivated RoHS Compliant
Protective Cover	P = Metal Protective Covers Included N = No Covers Supplied
Shell Key Position (See Table I)	A (Normal), B, C, D, E, F
Length	Overall Length In Inches 115" Max
Wiring	X = Crossover Omit = Standard

Table I: Shell Key Positions

Key Position	Key Rotation	
	A°	B°
Normal (A)	150°	210°
B	75°	210°
C	95°	230°
D	140°	275°
E	75°	275°
F	95°	210°



Dimensions in Inches (millimeters) are subject to change without notice.