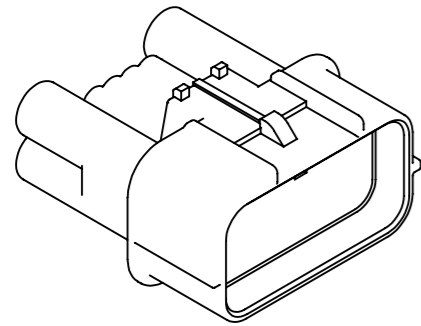
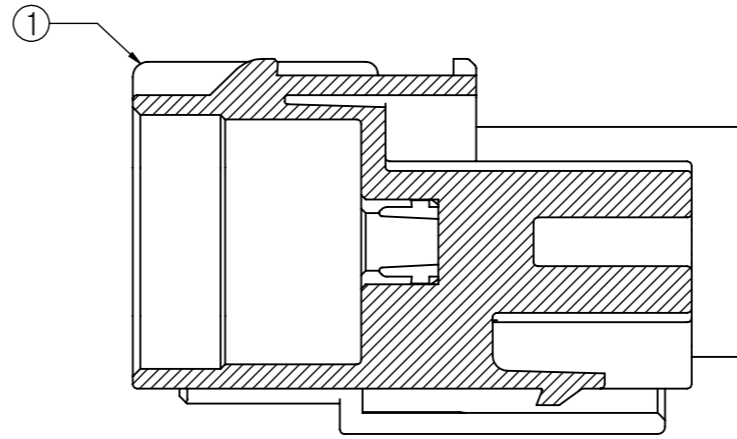
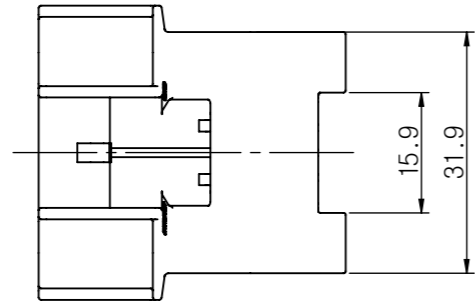


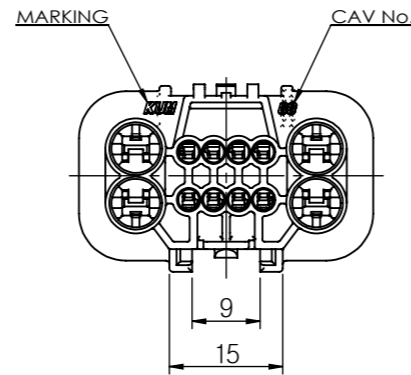
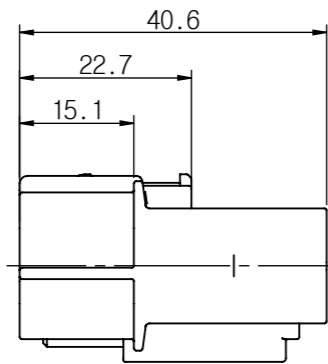
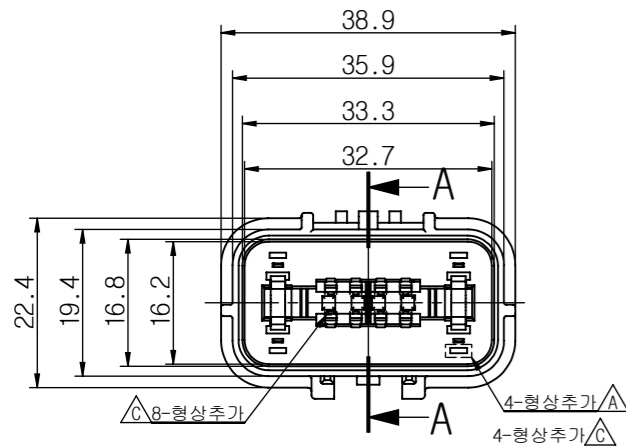
① 02511WP HY12M-B



ISO-VIEW



SECTION A-A(2/1)



- 주 기 -

1. 사용상 유해한 흠, BURR등이 없을 것.
2. 명시되지 않은 공차는 일반공차에 준할 것.
3. CAV No. 및 MARKING은 당사규격에 준하여 각인할 것.
4. ASSY 부품

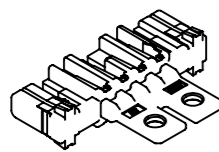
- 1) FRONT HOLDER : HP521-12100
- 2) TERMINAL

APPLICATION WIRE(sq)	PART NAME	PART No.
AVSS 0.3-0.5sq	NWP-M-S	TP161-00100
AVSS 0.75-1.25sq	NWP-M-M	TP161-00200
AVSS 2.0 / AVS2.0-3.0sq	NWP-M-L	TP161-00300
AESSX(F) 0.3-0.5sq	TWP-M-S	TP101-00100
CHFUS 0.22sq	TWP-M-SS	TP101-00400

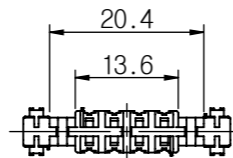
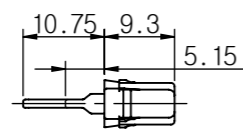
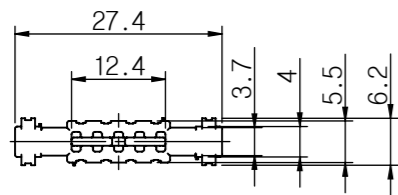
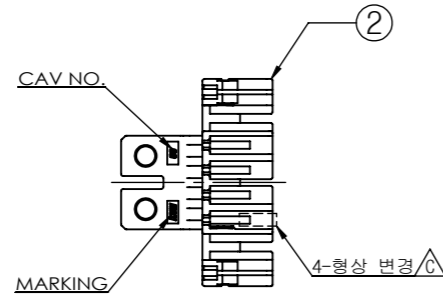
4) WIRE SEAL

Insulation Nominal Diameter	PART NAME	PART No.
Φ1.4 ~ 1.8	W/S NWP-1.4S(OR)	EMO10-00100
Φ1.9 ~ 2.2	W/S NWP-1.9S(GN)	EMO10-00030
Φ2.3 ~ 2.7	W/S NWP-2.3S(GY)	EMO10-00120
Φ2.8 ~ 3.3	W/S NWP-2.8S(MB)	EMO10-00140
Φ3.6 ~ 4.0	W/S NWP-3.6S(R)	EMO10-00060
CLOSED SEAL	W/S NWP-V(BR)	EMO10-00050
Φ0.9 ~ 1.1	W/S TWP-0.9S(MB)	EU020-01140
Φ1.4 ~ 1.5	W/S TWP-1.4S(BR)	EU020-01050
Φ1.6 ~ 1.7	W/S TWP-1.6S(GN)	EU020-00030
Φ2.0 ~ 2.1	W/S TWP-2.0S(OR)	EU020-02100
CLOSED SEAL	W/S TWP-V(R)	EU020-00060

② F/H 02511WP HY12M-OR



ISO-VIEW



승인	DATE	NOTE No.	SYM	ALTERATION	담당
CJW	14.07.24	E014-0205	C	형상 추가 및 변경 (3개소)	PYI
CJW	13.01.02	E013-0003	B	품번 오기 수정 및 품명 변경(3개소)	PYI
CJW	12.08.16	E012-0148	A	형상 추가	PYI
CJW	10.12.22	E010-0243	-	신 규	PYI

No.	PART NAME	PART No.	COLOR	MATERIAL
②	F/H 02511WP HY12M-OR	HP521-12100	ORANGE	PBT
①	02511WP HY12M-B	HP511-12020	BLACK	PBT

DRAWING NAME 02511WP HY12M-B  
DRAWING No. HP511-12020-C01C

GENERAL TOLERANCE

	10MAX	50MAX	100MAX	150MAX	200MAX	200VR	ANGLE
A	±0.2	±0.3	±0.5	±0.8	±1.0	±1.4	±30'

THIRD ANGLE PROJECTION	A	1/1(2/1)	PYI	PYI	KNJ	CJW
	TOLERANCE	SCALE	DESIGN	DRAWN	CHECKED	APPROVED

**KUM** 케이유엠