

Round Type , Blinking LED lamp

BL-L314

Features:

- Ø 3mm Round Type LED Lamps, **Blinking LED lamp**
- Ø Ultra brightness.
- Ø Choice of various viewing angles.
- Ø Diffused, Transparent and Water clear lens are available.
- Ø IC compatible /Low current capability.
- Ø RoHs Compliance



Electrical-optical characteristics: (Ta=25°C) (Test Condition: IF=50mA)

Part Number	Chip			Lens Type	Pulse Rate(Hz) VDD=5V (Hz)			Luminous Intensity (Iv) Unit:mcd		Viewing Angle 2θ/2 (deg)
	Emitted Color	Material	λp (nm)		Min	Typ	Max	Min.	Typ.	
BL-L314SRC-B	Hi Red	AlGaAs,SH	660	Water Clear	2.0	2.4	2.8	50	220	30
BL-L314LRC-B	Super Red	AlGaAs,DH	660		2.0	2.4	2.8	200	500	
BL-L314URC-B	Ultra Red	AlGaAs,DDH	660		2.0	2.4	2.8	500	900	
BL-L314UEC-B	Ultra Orange	AlGaInP	630		2.0	2.4	2.8	900	1800	
BL-L314UYC-B	Ultra Yellow	AlGaInP	590		2.0	2.4	2.8	900	2000	
BL-L314UGC-B	Ultra Green	AlGaInP	574		2.0	2.4	2.8	220	600	
BL-L314PGC-B	Ultra Pure Green	InGaN	525		2.0	2.4	2.8	1200	3000	
BL-L314BGC-B	Ultra Bluish Green	InGaN	505		2.0	2.4	2.8	900	2800	
BL-L314UBC-B	Ultra Blue	InGaN	470		2.0	2.4	2.8	500	1400	
BL-L314VC-B	UV	InGaN	405		2.0	2.4	2.8	100	150	
BL-L314UWC-B	Ultra White	InGaN	/		2.0	2.4	2.8	900	2000	

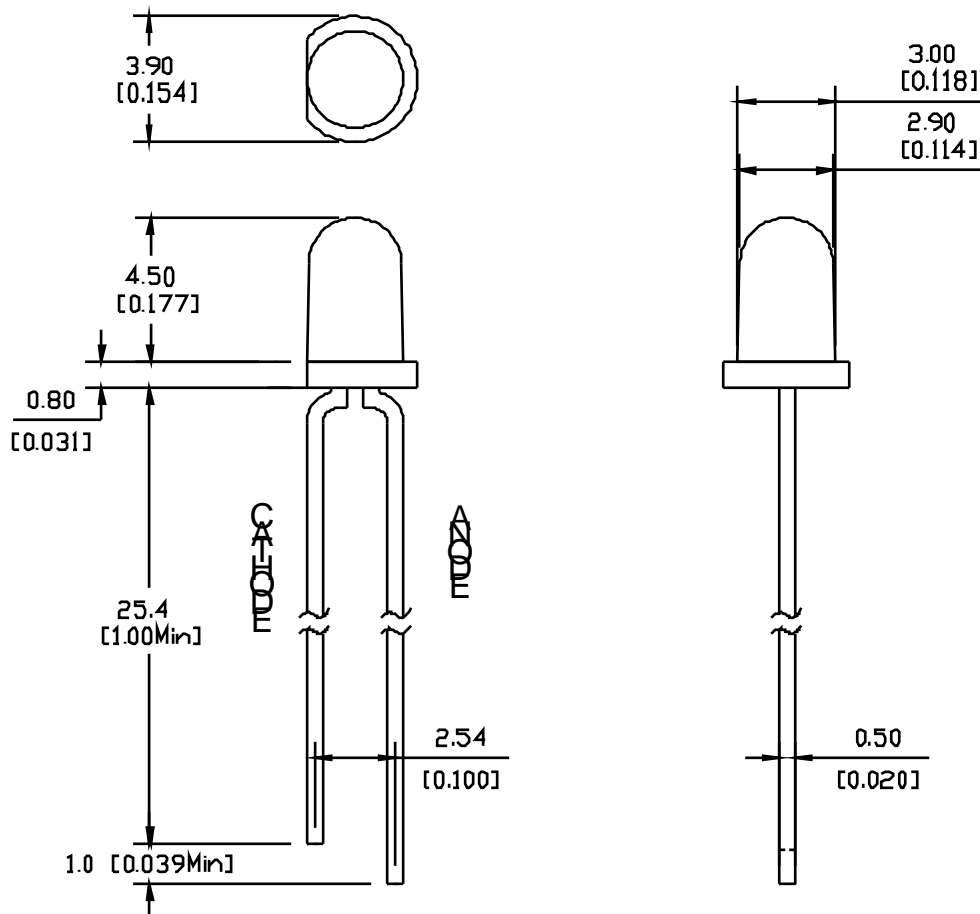
Absolute maximum ratings (Ta=25°C)

Parameter	SR	LR	UR	UE	UY	UG	PG	BG	B	UB	UV	W	Unit
Forward Current I _F	25	25	25	30	30	30	30	30	30	30	30	30	mA
Power Dissipation P _d	60	60	60	65	65	75	110	110	120	120	120	120	mW
Reverse Voltage V _R	5	5	5	5	5	5	5	5	5	5	5	5	V
Peak Forward Current I _{PF} (Duty 1/10 @1KHZ)	150	150	150	150	150	150	150	100	100	100	100	100	mA
Operation Temperature T _{OPR}	-40 to +80												°C
Storage Temperature T _{STG}	-40 to +85												°C
Lead Soldering Temperature TSOL	Max.260±5°C for 3 sec Max. (1.6mm from the base of the epoxy bulb)												°C

Round Type , Blinking LED lamp

BL-L314

Package configuration & Internal circuit diagram



Notes:

1. All dimensions are in millimeters (inches)
2. Tolerance is ± 0.25 (0.01") unless otherwise noted.
3. Specifications are subject to change without notice.

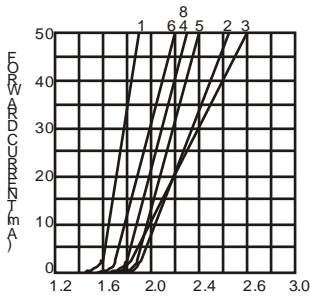
Round Type , Blinking LED lamp

BL-L314

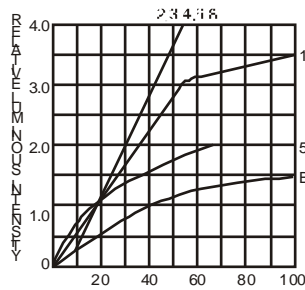
Typical electrical-optical characteristics curves:



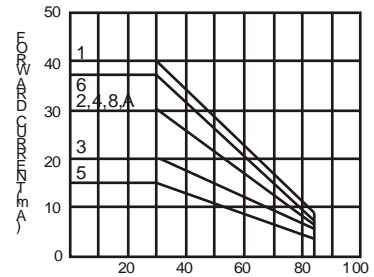
- (1) - GaAsP/GaAs 655nm/Red
- (2) - GaP 570nm/Yellow Green
- (3) - GaAsP/GaP 585nm/Yellow
- (4) - GaAsP/GaP 635nm/Orange & Hi-Eff Red
- (5) - GaP 700nm/Bright Red
- (6) - GaAlAs/GaAs 660nm/Super Red
- (8) - GaAsP/GaP 610nm/Super Red
- (9) - GaAlAs 880nm
- (10) - GaAs/GaAs & GaAlAs/GaAs 940nm
- (A) - GaN/SiC 430nm/Blue
- (B) - InGaN/SiC 470nm/Blue
- (C) - InGaN/SiC 505nm/Ultra Green
- (D) - InGaAlSiC 525nm/Ultra Green



FORWARD VOLTAGE (Vf)
FORWARD CURRENT VS.
FORWARD VOLTAGE



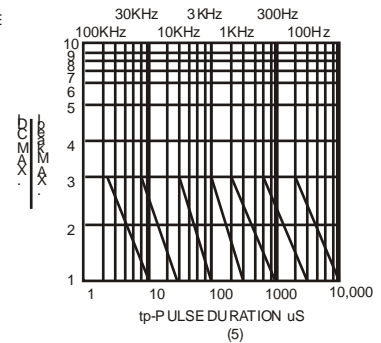
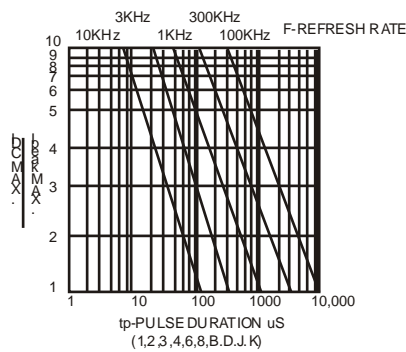
FORWARD CURRENT (mA)
RELATIVE LUMINOUS
INTENSITY VS. FORWARD
CURRENT



AMBIENT TEMPERATURE Ta ()
FORWARD CURRENT VS. AMBIENT
TEMPERATURE



AMBIENT TEMPERATURE Ta ()



NOTE: 25 free air temperature unless otherwise specified

Round Type , Blinking LED lamp

BL-L314

Packing and weighting

