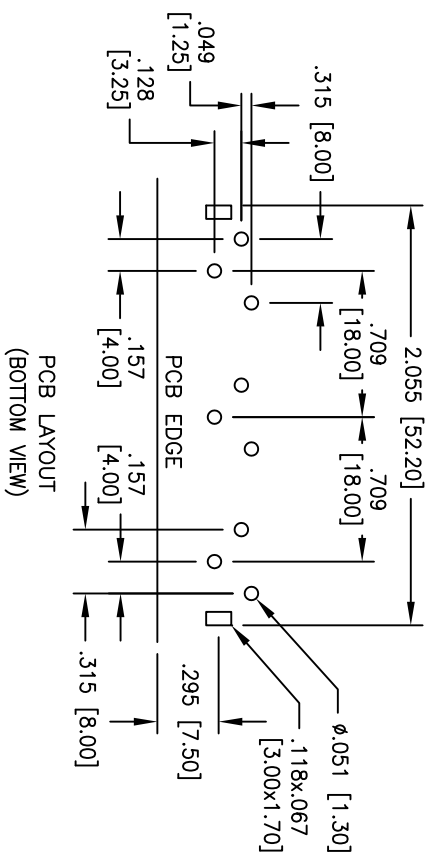
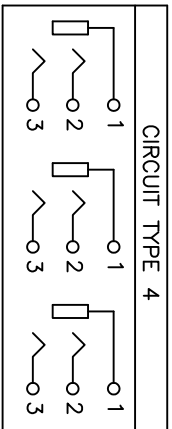
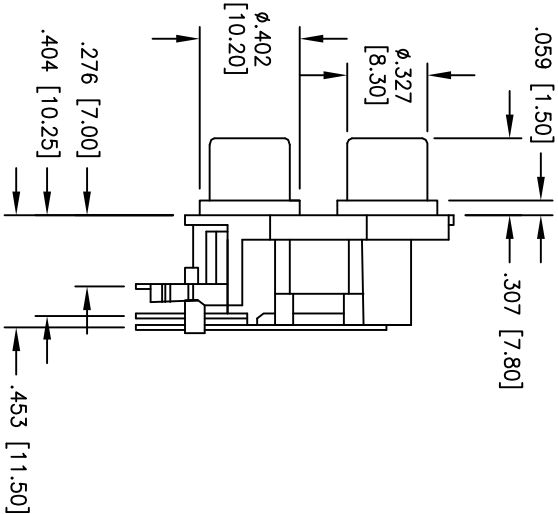
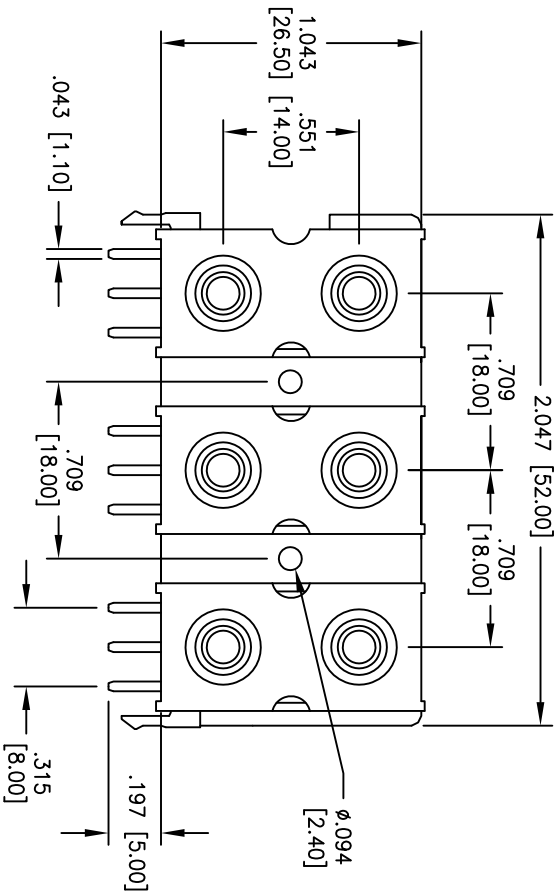


Rev	AWO #	Description	Date	Appr
-		RELEASED	10/21/09	

APPROVED: _____
 DATE: _____ TITLE: _____



SPECIFICATIONS:

Material: Insulator: PBT, Glass reinforced, rated UL 94V-0
 Insulator color: Black
 Inserts: PBT, Color Black
 Bushing: Brass, Nickel plated
 Contacts: Brass
 Plating: Tin or Silver over Copper underplate

Electrical: Operating voltage: 12 VDC max.
 Current rating: 1 Amp max.
 Contact resistance: 30 mohms max. initial
 Insulation resistance: 100 Mohms min.
 Dielectric withstanding voltage: 500 VAC for 1 minute
 Temperature Rating: Operating temperature: -25°C to +85°C

Environmental: Environmental: Lead free, RoHS Compliant
 Recommended soldering temp: 235°C for 5 seconds



ADAM TECH

909 Railway Avenue, Union, NJ 07083
 Phone: 908-687-5000 Fax: 908-687-5710

TITLE: RCA JACK, 6 PORTS, 2 X 3, LEFT/CENTER/RIGHT

UNLESS OTHERWISE SPECIFIED ALL DIMENSIONS ARE INCHES [MM] TOLERANCES: EXCEPT AS NOTED		APPROVALS	
INCHES	HOLES	DATE	
.XX ± .10	ØXX ± .10	10/21/09	
.XXX ± .020	ØXXX ± .015		
.XXX ± .015	ØXXX ± .010		
DRAWN	DY		
CHECKED			
APPROVED			
SIZE	PART NO.	SCALE:	SHEET 1 OF 1
X	RCA-114-B/B/B	NIS	
REV.			